

REVISIONS

P	LTR	DESCRIPTION	DATE	DWN	APVD
	B2	REVISED PER ECO-11-005150	29MAR2011	RK	HMR
	W	ECR-16-003733	12MAR2016	KR	TN

LASER MARKING: TE LOGO PN VALUE TOLERANCE & DATE CODE

M6 ST/STEEL TERMINAL STUDS. EACH SUPPLIED WITH:- 2 OFF M6 ST/STEEL FULL NUTS 2 OFF M6/STEEL PLAN WASHERS

5.6 MIN

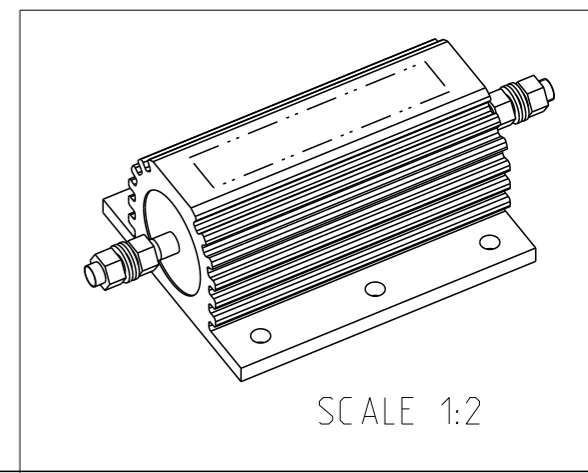
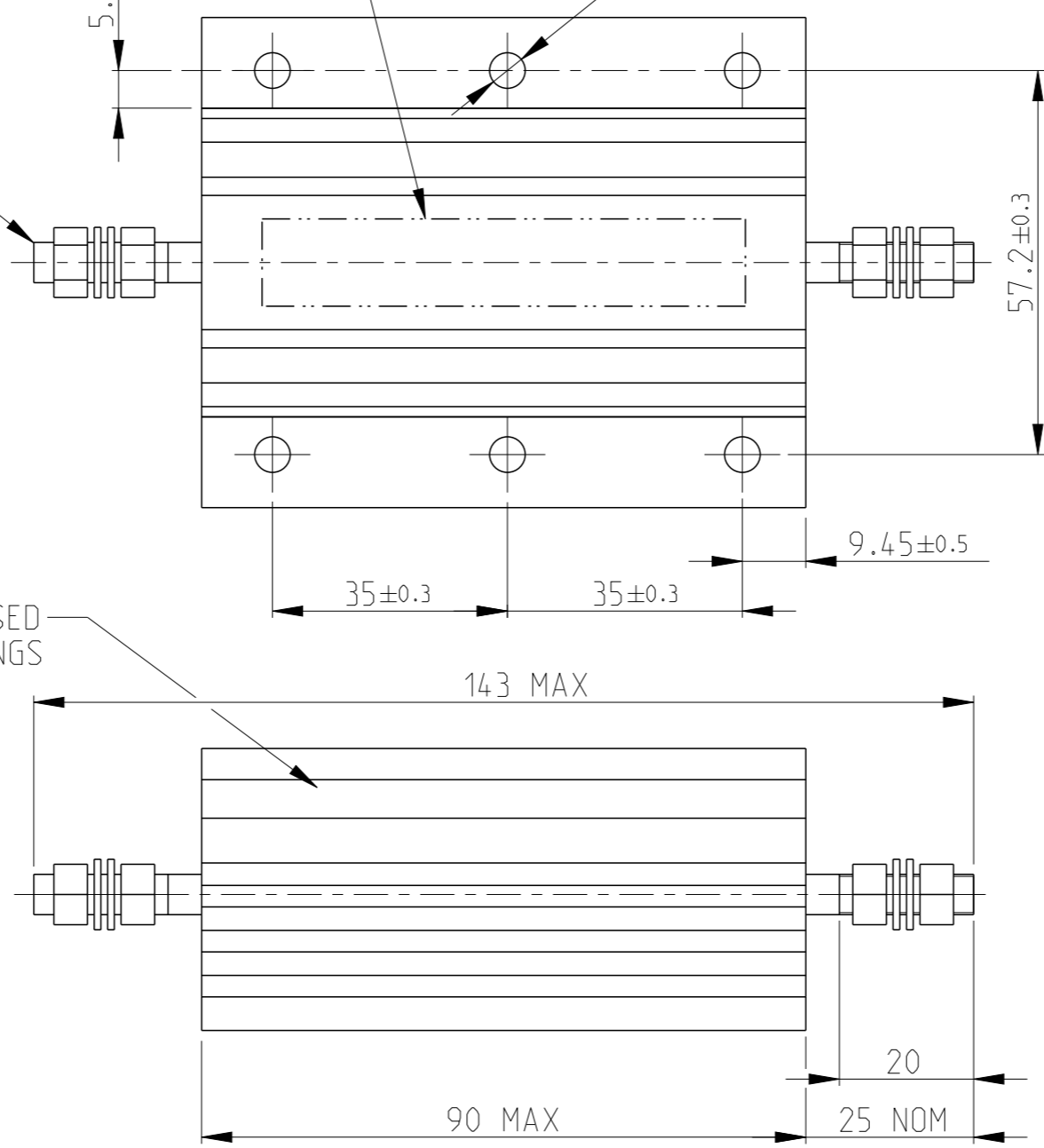
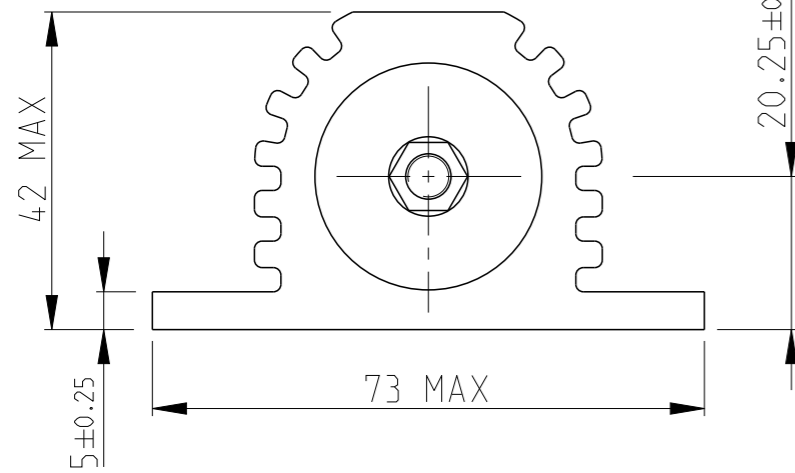
6 HOLES Ø5.3


- 1 FOR FURTHER INFORMATION SEE DATA SHEET FOR HS SERIES-ALUMINIUM HOUSED RESISTORS
- 2 FOR A SPECIFIC PN FOR A RESISTANCE VALUE AND TOLERANCE, PLEASE REFER TO DMF

GOLD ANODISED ALUMINIUM HOUSINGS

HSC200 ALUMINIUM HOUSED POWER RESISTOR

RoHS Compliant



THIS DRAWING IS A CONTROLLED DOCUMENT.		DWN L LUONG 10.MAR.03	 TE Connectivity	
DIMENSIONS: mm		CHK J CATCHPOLE 10.MAR.03		
TOLERANCES UNLESS OTHERWISE SPECIFIED:		APVD J CATCHPOLE 10.MAR.03	NAME HSC200 ALUMINIUM HOUSED POWER RESISTOR	
0 PLC ±0.5		PRODUCT SPEC -	RESTRICTED TO -	
1 PLC ±0.2		APPLICATION SPEC -	SIZE A3	CAGE CODE 00779
2 PLC ±0.1		WEIGHT -	DRAWING NO C-1630019	SCALE 1:1
3 PLC ±		CUSTOMER DRAWING	SHEET 1 OF 1	REV W
4 PLC ±				
ANGLES ± 45°				
FINISH -				
MATERIAL material_2				
finish_spec_2				

X-ON Electronics

Largest Supplier of Electrical and Electronic Components

Click to view similar products for [Wirewound Resistors - Chassis Mount](#) category:

Click to view products by [TE Connectivity](#) manufacturer:

Other Similar products are found below :

[CS6600552K000B8768](#) [RER50F7R50RC02](#) [RER70F9R80RC02](#) [RER75F4991MC02](#) [RH0055R000FC02W09](#) [2-1623821-6](#)
[RBSA20008R800KGBLT](#) [RER65F1R50PC02](#) [RER70F62R5PC02](#) [VK100NA-200](#) [VK100NA-50](#) [VK100NA-750](#) [40/70MJ2K00BE](#)
[VP10FA-3K](#) [VP50KA-20K](#) [VPR10F-13.5K](#) [VPR10F-4.5K](#) [VPR10F-700](#) [VPR10F-7.5K](#) [VPR20H150](#) [VPR5F-22.5K](#) [VRH320](#) [3K3](#) [K](#)
[RER75F1R00RC02](#) [RER70F27R4P](#) [VPR5F-600](#) [VPR5F250](#) [VPR10F-8K](#) [VPR10F-6K](#) [VPR10F225](#) [VPR10F-1.75K](#) [VPR10F-1.25K](#)
[VPR10F-125](#) [VPR10F10](#) [VP50KA-12K](#) [VP50KA-100K](#) [VP25KA-5000](#) [VK100NA250](#) [VK100NA-15](#) [620-5R00-FBW](#) [850J5R0E-B](#)
[L100J150E-MT1](#) [L50J500E-MT1](#) [VPR10F-8.5K](#) [VPR10F-0.4](#) [SL130J100K-12](#) [VPR10F-12.5K](#) [F30J20R](#) [HSC1008R0F](#) [CL65J10R](#)
[L12NJ20R](#)