

REVISIONS

P	LTR	DESCRIPTION	DATE	DWN	APVD
A1		Released as per ECR-08-022292	4-Sep-08	SP	JC
V		ECR-16-003733	12MAR2016	KR	TN

LASER MARKING: TE LOGO PN VALUE TOLERANCE & DATE CODE

6 HOLES Ø5.3

5.6 MIN

M6 ST/STEEL TERMINAL STUDS. EACH SUPPLIED WITH:- 2 OFF M6 ST/STEEL FULL NUTS 2 OFF M6/STEEL PLAN WASHERS

57.2±0.3

44.5±0.3

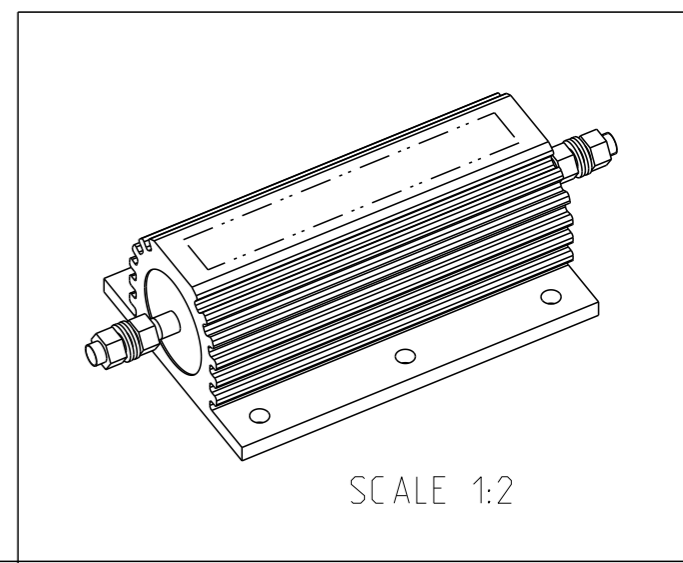
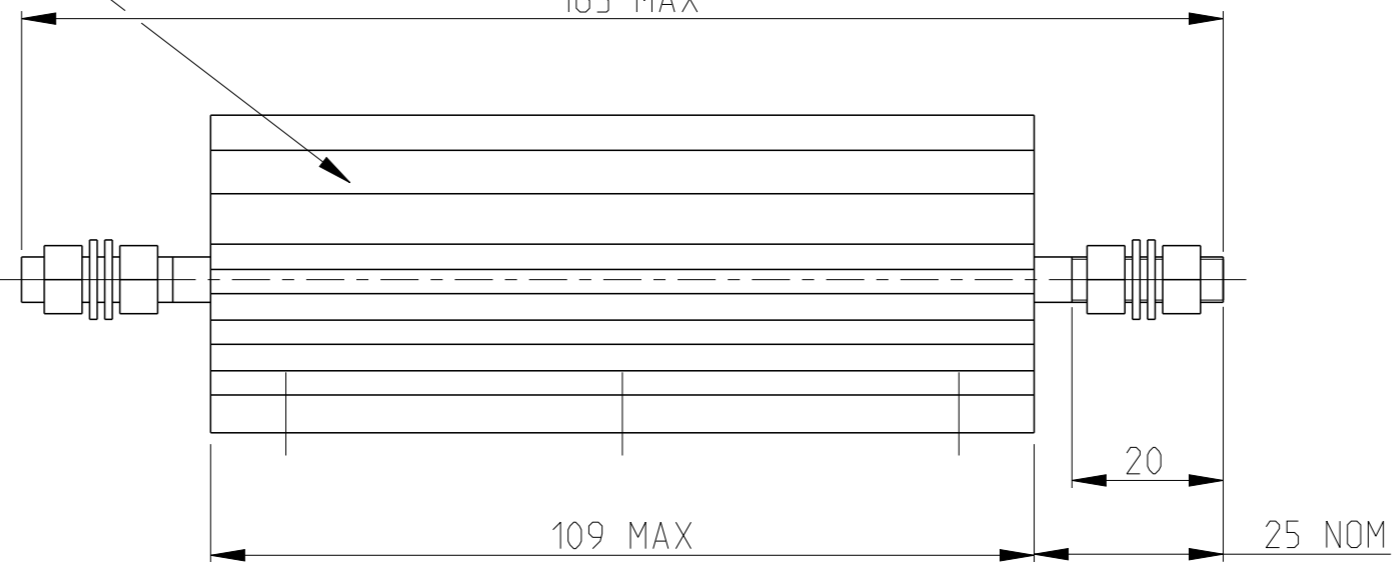
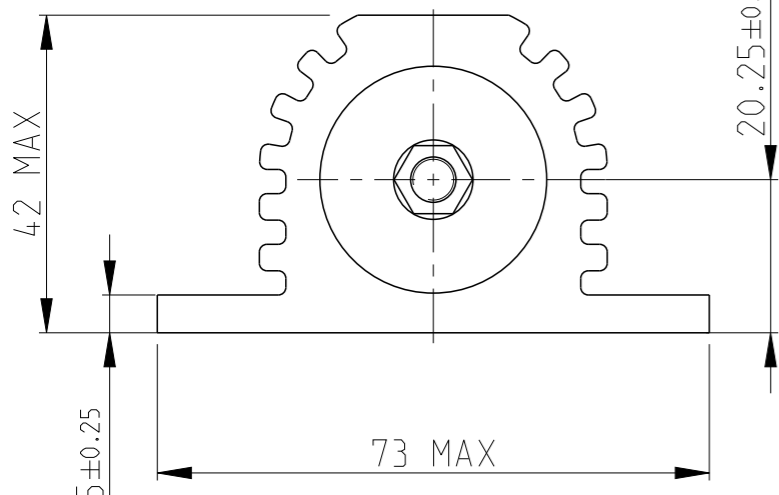
44.5±0.3

9.95±0.5

GOLD ANODISED ALUMINIUM HOUSINGS

163 MAX

RoHS Compliant



- 1 FOR FURTHER INFORMATION SEE DATA SHEET FOR HS SERIES-ALUMINIUM HOUSED RESISTORS
- 2 FOR A SPECIFIC PN FOR A RESISTANCE VALUE AND TOLERANCE, PLEASE REFER TO DMF

THIS DRAWING IS A CONTROLLED DOCUMENT.

DWN DAVE KENNEDY 28.SEP.05

CHK J CATCHPOLE 29.SEP.05

APVD J CATCHPOLE 29.SEP.05

PRODUCT SPEC

APPLICATION SPEC

WEIGHT -

CUSTOMER DRAWING



TE Connectivity

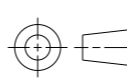
NAME HSC250 ALUMINIUM HOUSED POWER RESISTOR

SIZE A3 CAGE CODE 00779 DRAWING NO C-1630024 RESTRICTED TO -

SCALE 1:1 SHEET 1 OF 1 REV V

DIMENSIONS: mm

TOLERANCES UNLESS OTHERWISE SPECIFIED:



0 PLC	±0.5
1 PLC	±0.2
2 PLC	±0.1
3 PLC	±
4 PLC	±
ANGLES	±5°

MATERIAL -

FINISH -

material_2

finish_spec_2

X-ON Electronics

Largest Supplier of Electrical and Electronic Components

Click to view similar products for [Wirewound Resistors - Chassis Mount](#) category:

Click to view products by [TE Connectivity](#) manufacturer:

Other Similar products are found below :

[HD300HLR71J](#) [RER50F18R7RC02](#) [RER50F7R50RC02](#) [RER75F4991MC02](#) [RH0055R000FC02W09](#) [2-1623821-6](#) [FVT200-500](#)
[RDSF010015R00JDBNI](#) [RER60F34R8RC02](#) [RER60F51R1MC0230](#) [RER65F1R50PC02](#) [RER70F62R5PC02](#) [VK100NA-200](#) [VK100NA-50](#)
[VK100NA-750](#) [40/70MJ2K00BE](#) [VP10FA-3K](#) [VP50KA-20K](#) [VPR10F1](#) [VPR10F-13.5K](#) [VPR10F-4500](#) [VPR10F-4.5K](#) [VPR10F-4K](#)
[VPR10F-700](#) [VPR10F-7.5K](#) [VPR20H150](#) [VPR5F-22.5K](#) [L75J1K0E](#) [VRH320 3K3 K](#) [RER65F2940PC02](#) [RER65F4R99RC02](#)
[RER75F1R00RC02](#) [RER65FR100RC02](#) [VPR5F-600](#) [VPR5F250](#) [VPR10F-8K](#) [VPR10F-6K](#) [VPR10F225](#) [VPR10F-1.75K](#) [VPR10F-1.25K](#)
[VPR10F-125](#) [VPR10F10](#) [VP50KA-12K](#) [VP50KA-100K](#) [VP25KA-5000](#) [VK100NA250](#) [VK100NA-15](#) [850J5R0E-B](#) [L100J150E-MT1](#)
[L50J500E-MT1](#)