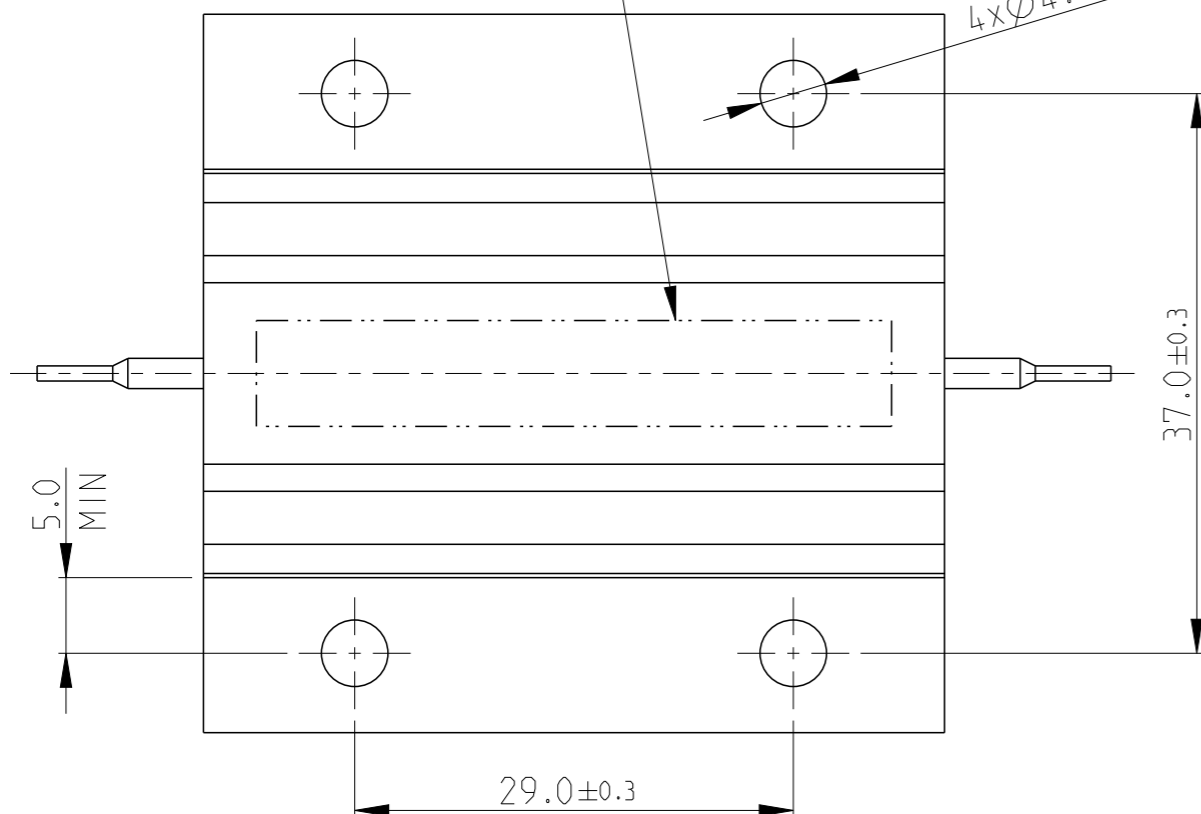


REVISIONS

P	LTR	DESCRIPTION	DATE	DWN	APVD
	A1	Released as per ECR-08-022292	4-Sep-08	SP	JC
	V	ECR-16-003725	12MAR2016	KR	TN

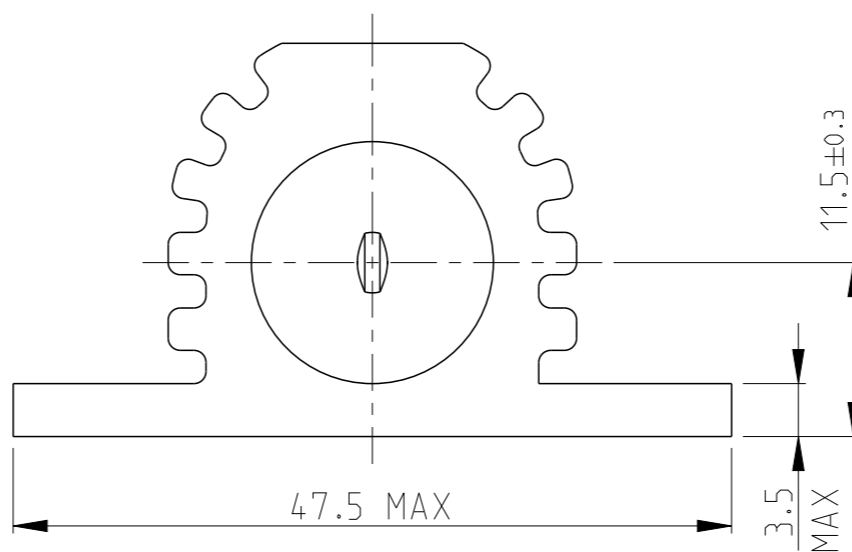
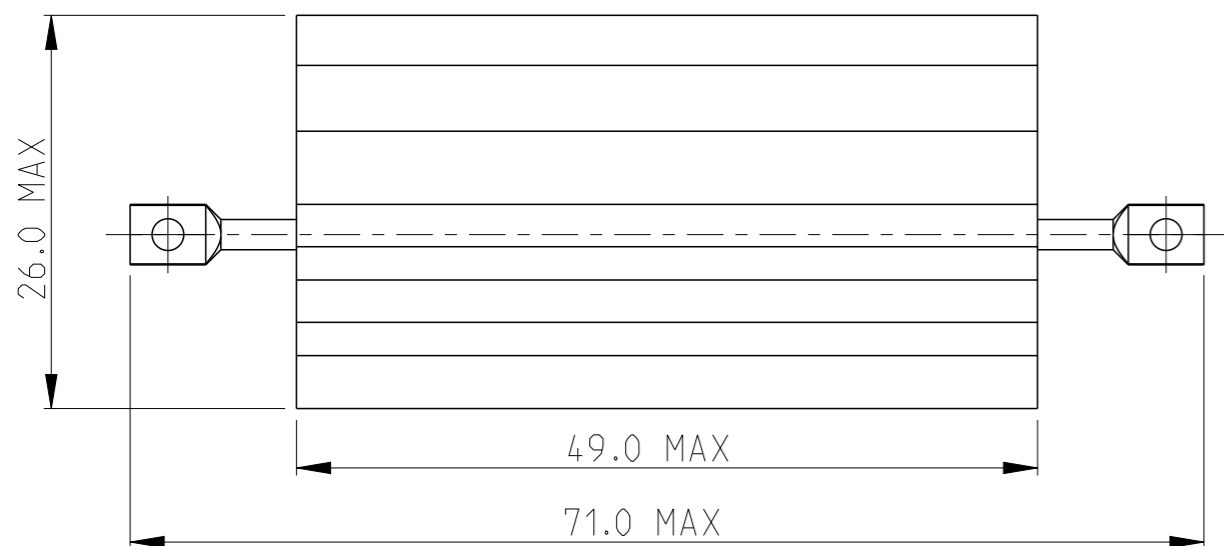
LASER MARKING: TE LOGO PN VALUE TOLERANCE & DATE CODE

4xØ4.4 HOLES

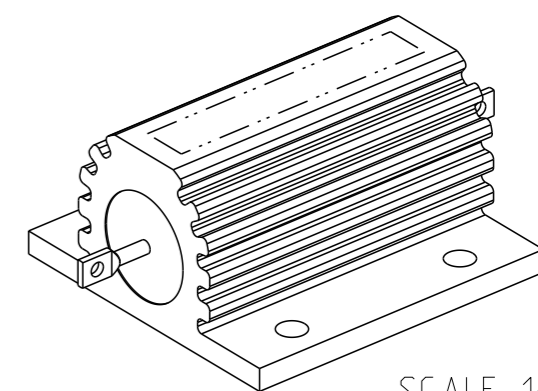


- 1 FOR FURTHER INFORMATION SEE DATA SHEET FOR HS SERIES-ALUMINIUM HOUSED RESISTORS
- 2 FOR A SPECIFIC PN FOR A RESISTANCE VALUE AND TOLERANCE, PLEASE REFER TO DMF
- 3 TECHNICAL SPECIFICATION

DISSIPATION AT 25°C : 75 WATTS MOUNTED ON STANDARD HEATSINK
 BS OHMIC RANGE : R10 TO 50K
 STABILITY : ΔR < =2% PER 1000Hrs
 ISOLATION VOLTAGE : 3500V DC/AC pk
 MAX WORKING VOLTAGE : 1400V DC/AC rms
 TEMP COEFFICIENT : > 1R0 50ppm
 > 100R 25ppm
 CLIMATIC CATEGORY : 55/200/56



RoHS Compliant



SCALE 1:1

THIS DRAWING IS A CONTROLLED DOCUMENT.

DWN 27.SEP.05 DAVE KENNEDY

CHK 28.SEP.05 J CATCHPOLE

APVD 28.SEP.05 J CATCHPOLE

PRODUCT SPEC

APPLICATION SPEC

WEIGHT -

CUSTOMER DRAWING

STE TE Connectivity

NAME HSC75 METAL CLAD RESISTOR

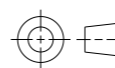
SIZE CAGE CODE DRAWING NO RESTRICTED TO

A3 00779 C=1625995

SCALE 2:1 SHEET 1 OF 1 REV V

DIMENSIONS: mm

TOLERANCES UNLESS OTHERWISE SPECIFIED:



0 PLC	±0.5
1 PLC	±0.2
2 PLC	±0.1
3 PLC	±
4 PLC	±
ANGLES	±5°

MATERIAL - material_2
 FINISH - finish_spec_2

X-ON Electronics

Largest Supplier of Electrical and Electronic Components

Click to view similar products for [Wirewound Resistors - Chassis Mount](#) category:

Click to view products by [TE Connectivity](#) manufacturer:

Other Similar products are found below :

[CS6600552K000B8768](#) [RER50F7R50RC02](#) [RER70F9R80RC02](#) [RER75F4991MC02](#) [RH0055R000FC02W09](#) [2-1623821-6](#)
[RBSA20008R800KGBLT](#) [RER65F1R50PC02](#) [RER70F62R5PC02](#) [VK100NA-200](#) [VK100NA-50](#) [VK100NA-750](#) [40/70MJ2K00BE](#)
[VP10FA-3K](#) [VP50KA-20K](#) [VPR10F-13.5K](#) [VPR10F-4.5K](#) [VPR10F-700](#) [VPR10F-7.5K](#) [VPR20H150](#) [VPR5F-22.5K](#) [VRH320](#) [3K3](#) [K](#)
[RER75F1R00RC02](#) [RER70F27R4P](#) [VPR5F-600](#) [VPR5F250](#) [VPR10F-8K](#) [VPR10F-6K](#) [VPR10F225](#) [VPR10F-1.75K](#) [VPR10F-1.25K](#)
[VPR10F-125](#) [VPR10F10](#) [VP50KA-12K](#) [VP50KA-100K](#) [VP25KA-5000](#) [VK100NA250](#) [VK100NA-15](#) [620-5R00-FBW](#) [850J5R0E-B](#)
[L100J150E-MT1](#) [L50J500E-MT1](#) [VPR10F-8.5K](#) [VPR10F-0.4](#) [SL130J100K-12](#) [VPR10F-12.5K](#) [F30J20R](#) [HSC1008R0F](#) [CL65J10R](#)
[L12NJ20R](#)