



HW

TE Internal #: F17576-000

HW, Standard Labels, Industrial Label, Die-Cut Label Style, High Tack Permanent Acrylic Adhesive, UL Listed Yes, Label Width 38.1 mm [1.5 in]

[View on TE.com >](#)

Identification & Labeling > Labels > Standard Labels > HW HIGH TACK WHITE POLYESTER LABELS



Label Type: **Industrial Label**

Label Style: **Die-Cut**

Label Adhesive Type: **High Tack Permanent Acrylic Adhesive**

UL Listed: **Yes**

Label Width: **38.1 mm [1.5 in]**

[All HW HIGH TACK WHITE POLYESTER LABELS \(43\)](#)

Features

Product Type Features

| | |
|------------|------------------|
| Label Type | Industrial Label |
|------------|------------------|

Body Features

| | |
|-------------|-------|
| Label Color | White |
|-------------|-------|

Usage Conditions

| | |
|-----------------------------|----------------------------|
| Operating Temperature Range | -40 – 150 °C[-40 – 302 °F] |
|-----------------------------|----------------------------|

Printer/Label Features

| | |
|----------------------------|---------------------------|
| Number of Labels Across | 2 |
| Recommended Printer Ribbon | See Printer Ribbon Matrix |
| Label Style | Die-Cut |
| Label Width | 38.1 mm[1.5 in] |
| Label Height | 12.7 mm[.5 in] |
| Label Material | Polyester |
| Label Thickness | 97 Micron |

Industry Standards

| | |
|-----------|-----|
| UL Listed | Yes |
|-----------|-----|



Packaging Features

| | |
|--------------------|------|
| Packaging Quantity | 5000 |
| Packaging Method | Roll |

Other

| | |
|---------------------|--------------------------------------|
| Label Adhesive Type | High Tack Permanent Acrylic Adhesive |
|---------------------|--------------------------------------|

Product Compliance

[For compliance documentation, visit the product page on TE.com>](#)

| | |
|---|---|
| EU RoHS Directive 2011/65/EU | Compliant |
| EU ELV Directive 2000/53/EC | Compliant |
| China RoHS 2 Directive MIIT Order No 32, 2016 | No Restricted Materials Above Threshold |
| EU REACH Regulation (EC) No. 1907/2006 | Current ECHA Candidate List: JAN 2021 (211) Candidate List Declared Against: JAN 2021 (211) Does not contain REACH SVHC |
| Halogen Content | Not Yet Reviewed for halogen content |
| Solder Process Capability | Not applicable for solder process capability |

Product Compliance Disclaimer

This information is provided based on reasonable inquiry of our suppliers and represents our current actual knowledge based on the information they provided. This information is subject to change. The part numbers that TE has identified as EU RoHS compliant have a maximum concentration of 0.1% by weight in homogenous materials for lead, hexavalent chromium, mercury, PBB, PBDE, DBP, BBP, DEHP, DIBP, and 0.01% for cadmium, or qualify for an exemption to these limits as defined in the Annexes of Directive 2011/65/EU (RoHS2). Finished electrical and electronic equipment products will be CE marked as required by Directive 2011/65/EU. Components may not be CE marked. Additionally, the part numbers that TE has identified as EU ELV compliant have a maximum concentration of 0.1% by weight in homogenous materials for lead, hexavalent chromium, and mercury, and 0.01% for cadmium, or qualify for an exemption to these limits as defined in the Annexes of Directive 2000/53/EC (ELV). Regarding the REACH Regulation, the information TE provides on SVHC in articles for this part number is based on the latest European Chemicals Agency (ECHA) 'Guidance on requirements for substances in articles' posted at this URL: <https://echa.europa.eu/guidance-documents/guidance-on-reach>

Compatible Parts

| | | | |
|--|--|--|--|
|  <p>TE Part # 1-2186500-1 T3212-PRINTER</p> |  <p>TE Part # 1-2186502-1 T3224-PRINTER</p> |  <p>TE Part # 1-2186501-1 T3212-SWARE-PRINTER</p> |  <p>TE Part # 1-2186503-1 T3224-SWARE-PRINTER</p> |
|--|--|--|--|



Also in the Series | HW



Standard Labels(43)

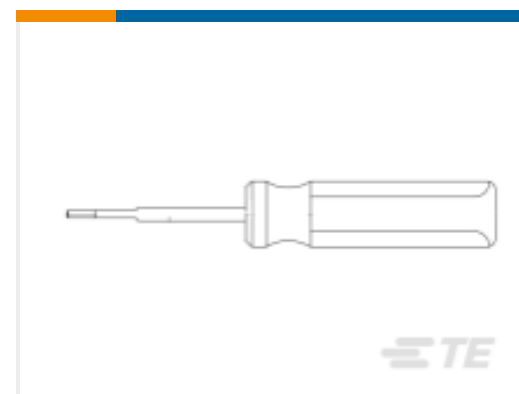
Customers Also Bought



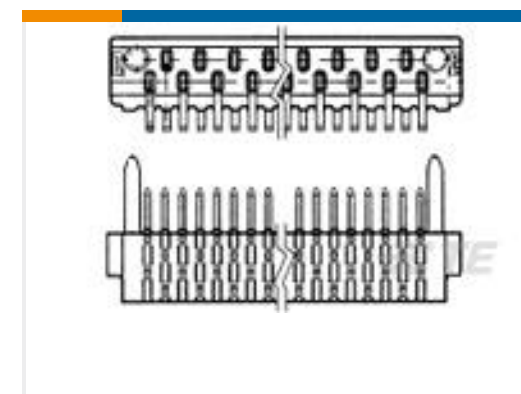
TE Part #204633-000
CRSM-53/13-1200/239(S5)



TE Part #570385-000
MWTM-35/12-1500/U(S10)



TE Part #314917-1
EXT TL 250 U-POD STR IS9726



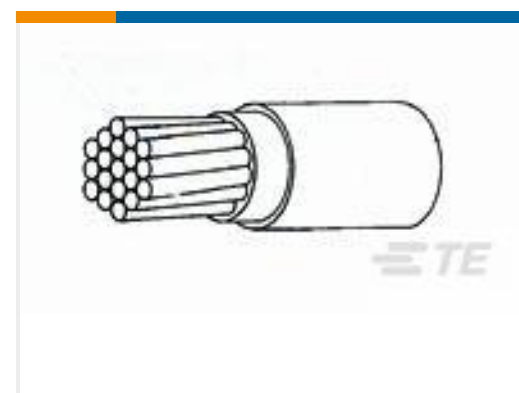
TE Part #3-5582152-9
35 AMP BLADE HDR ASSY



TE Part #A65014N001
3018-10-341012-CS2359



TE Part #254603-000
3024-10-561422-CS2359



TE Part #283746-001
81044/12-12-5



TE Part #621760-000
D-142-51CS2828

Documents

Product Drawings

[HW-381127-5-9](#)

English

Datasheets & Catalog Pages

[IDENTIFICATION SELECTION GUIDE](#)

English

[HW High Tack White Polyester labels](#)

English

X-ON Electronics

Largest Supplier of Electrical and Electronic Components

Click to view similar products for [Labels and Industrial Warning Signs](#) category:

Click to view products by [TE Connectivity](#) manufacturer:

Other Similar products are found below :

[ESSW30-025](#) [FTP-020P0704](#) [QC101](#) [QC105](#) [QCC613](#) [QCC615](#) [132465](#) [142810](#) [15288](#) [15425](#) [18511](#) [HTS795-1](#) [30288](#) [1768021-2](#) [18432](#)
[1878679-3](#) [2-1878614-6](#) [PTL-31-427-YL](#) [30239](#) [QC154](#) [QCC612](#) [30545](#) [35070](#) [WM-15-PK](#) [WM-20-PK](#) [5-1768021-6](#) [06770](#) [111852](#)
[111932](#) [KMT-02513V-9](#) [8-1768039-4](#) [1878983-4](#) [B422](#) [25X85MM](#) [PAXLBK10](#) [LAT-52-361-1](#) [PTL-20-486](#) [PTL-38-486](#) [PTLFT-01-425](#)
[13903](#) [11237](#) [18389](#) [18341](#) [18603](#) [29904](#) [18519](#) [18524](#) [115110](#) [11199](#) [18542](#) [62351](#)