

IAC Series

AC Input Module

File E29244

Users should thoroughly review the technical data before selecting a product part number. It is recommended that users also seek out the pertinent approvals files of the agencies/laboratories and review them to ensure the product meets the requirements for a given application.

Features

- Industry standard package and pin-out.
- Color coded by function.
- 4000V rms optical isolation.
- High immunity to false operation.
- Series compatible.
- Compatible with 2IO series mounting boards.

Engineering Data

Switch Form: 1 Form A (SPST-NO)
Duty: Continuous.
Operating Temperature: -30°C to +80°C.
Storage Temperature: -30°C to 100°C.
Potting Compound Flammability: UL94V-0.
Approximate Weight: 1.38 oz. (35g).

Ordering Information

Typical Part Number >

IAC -5 A

1. Basic Series: IAC = AC input module - yellow case

2. Logic Voltage: 5 = 5VDC
 15 = 15VDC
 24 = 24VDC

3. Input: Blank = 120VAC input (90-140VAC) **
 A = 240VAC input (180-280VAC) **
 E = 18-36VAC input **

** Is not polarity sensitive.

Our authorized distributors are more likely to maintain the following items in stock for immediate delivery.

- IAC-5
- IAC-5A
- IAC-5E
- IAC-15
- IAC-24

IAC Series(Continued)

AC Input Module

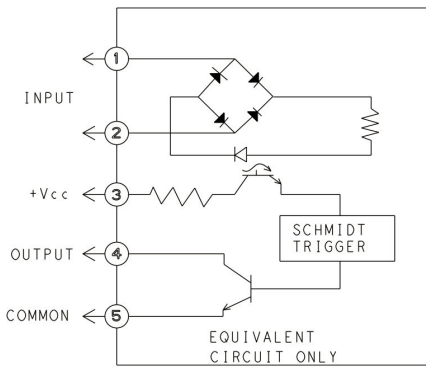
Input Specifications

Parameter	Conditions	Units	IAC-5			IAC-5A			IAC-5E		
			IAC-15	IAC-24		IAC-15A	IAC-24A		IAC-15E	IAC-24E	
Control Voltage Range V_{IN}		VAC	Min. 90	Typ. 120	Max. 140	Min. 180	Typ. 240	Max. 280	Min. 18	Typ. 24	Max. 36
Must Operate Voltage $V_{IN(OP)}$		VAC	90			180			18		
Must Release Voltage $V_{IN(REL)}$		VAC	60			60			10		
Max. Input Current	@ $V_{IN} = \text{Max.}$	mA	1 - 5			1 - 8			0.2 - 2.0		
Input Resistance		Ohms	28K			35K			18K		

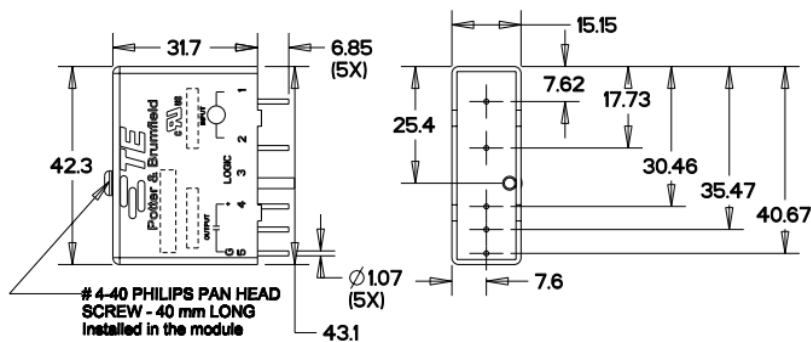
Output Specifications (@ +25°C unless otherwise specified)

Parameter	Conditions	Units	IAC-5			IAC-15			IAC-24		
			IAC-5A	IAC-5E		IAC-15A	IAC-15E		IAC-24A	IAC-24E	
Maximum Output Voltage		VDC	30			30			30		
Maximum Output Current		mADC	50			50			50		
Maximum Output Leakage Current	$V_{OUT} = \text{Max.}$	mA	10			10			10		
Maximum Output Voltage Drop	$I_{SINK} = 50\text{mA}$	VDC	0.2			0.2			0.2		
Logic Supply Voltage V_{CC}		VDC	3	5	6	12	15	18	20	24	30
Logic Supply Current	$V_{CC} = \text{Max.}$	mADC	15			15			15		
Turn-On Time (Nominal)	$I_{SINK} = 25\text{mA}$	ms	20			20			20		
Turn-Off Time (Nominal)	$I_{SINK} = 25\text{mA}$	ms	30			30			30		
Output Type (Open Collector)			Normally Open _(SINKING)			Normally Open _(SINKING)			Normally Open _(SINKING)		

IAC Operating Diagram



Outline Dimensions



DIMENSION IN mm

X-ON Electronics

Largest Supplier of Electrical and Electronic Components

Click to view similar products for [Solid State Relays - Industrial Mount](#) category:

Click to view products by [TE Connectivity](#) manufacturer:

Other Similar products are found below :

[6225XXASRS-DC3](#) [D2440-C](#) [H10CA4890](#) [D4875C](#) [D53TP50DH-10](#) [1395831-1](#) [1616010-6](#) [BR312BY](#) [A-1326](#) [AQY210SXE01](#)
[AQY221N2SYD01](#) [AQY414SXE01](#) [26532764](#) [H10CA4850](#) [H12CA4890VL](#) [RA2410-D06](#) [D1202F](#) [D53TP50-10](#) [W230E-1-12](#) [W230T-3-](#)
[12](#) [W6125ASX-1](#) [W6225DSX-2](#) [W6240DSX-4](#) [W6240DTX-2](#) [1-1617030-3](#) [1-1617033-9](#) [1-1617033-7](#) [MS2-D2420](#) [MS2-D2430](#) [A-1440](#)
[4-1617080-0](#) [RJ1P60V50E](#) [RN1F48I50](#) [70.362.1028.0](#) [7-1393030-8](#) [Z5.509.0828.0](#) [W230E-2-5](#) [G3RV-SR700-D](#) [AC110](#) [G3RV-SR500-AL](#)
[AC100](#) [G3RV-SR500-D](#) [ACDC24](#) [G3RV-SR500-AL](#) [ACDC24](#) [G3RV-SR700-D](#) [ACDC24](#) [G3RV-SR700-AL](#) [ACDC24](#) [G3RV-SR500-D](#)
[DC12](#) [G3RV-SR700-A](#) [ACDC24](#) [G3RV-SR500-A](#) [ACDC24](#) [2912138](#) [2912141](#) [SSRDAC10](#) [1613353](#)