

IAC Series

AC Input Module

 File E29244

Users should thoroughly review the technical data before selecting a product part number. It is recommended that users also seek out the pertinent approvals files of the agencies/laboratories and review them to ensure the product meets the requirements for a given application.

Features

- Industry standard package and pin-out.
- Color coded by function.
- 4000V rms optical isolation.
- High immunity to false operation.
- Series compatible.
- Compatible with 2IO series mounting boards.

Engineering Data

- Switch Form:** 1 Form A (SPST-NO)
Duty: Continuous.
Operating Temperature: -30°C to +80°C.
Storage Temperature: -30°C to 100°C.
Potting Compound Flammability: UL94V-0.
Approximate Weight: 1.38 oz. (35g).

Ordering Information

Typical Part Number >

IAC -5 A

1. Basic Series: IAC = AC input module - yellow case

2. Logic Voltage: 5 = 5VDC
 15 = 15VDC
 24 = 24VDC

3. Input: Blank = 120VAC input (90-140VAC) **
 A = 240VAC input (180-280VAC) **
 E = 18-36VAC input **

** Is not polarity sensitive.

Our authorized distributors are more likely to maintain the following items in stock for immediate delivery.

- IAC-5
- IAC-5A
- IAC-5E
- IAC-15
- IAC-24

Input Specifications

Parameter	Conditions	Units	IAC-5			IAC-5A			IAC-5E		
			IAC-15	IAC-24		IAC-15A	IAC-24A		IAC-15E	IAC-24E	
			Min.	Typ.	Max.	Min.	Typ.	Max.	Min.	Typ.	Max.
Control Voltage Range V_{IN}		VAC	90	120	140	180	240	280	18	24	36
Must Operate Voltage $V_{IN(OP)}$		VAC			90			180			18
Must Release Voltage $V_{IN(REL)}$		VAC	60			60			10		
Max. Input Current	@ $V_{IN} = \text{Max.}$	mA	1 - 5			1 - 8			0.2 - 2.0		
Input Resistance		Ohms	Current Regulator								

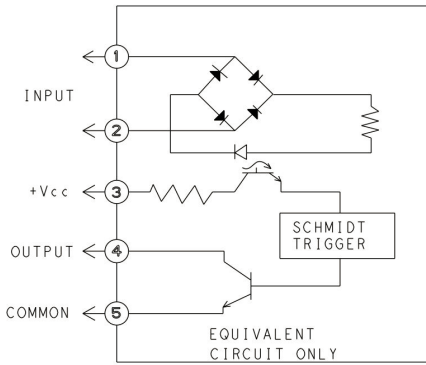
IAC Series (Continued)

AC Input Module

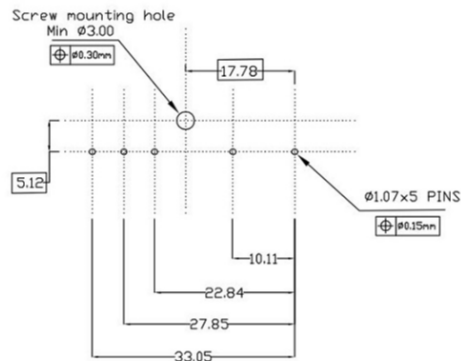
Output Specifications (@ +25°C unless otherwise specified)

Parameter	Conditions	Units	IAC-5			IAC-15			IAC-24		
			IAC-5A	IAC-5E		IAC-15A	IAC-15E		IAC-24A	IAC-24E	
			Min.	Typ.	Max.	Min.	Typ.	Max.	Min.	Typ.	Max.
Maximum Output Voltage		VDC			30			30			30
Maximum Output Current		mADC			50			50			50
Maximum Output Leakage Current	V _{OUT} =Max.	mA			10			10			10
Maximum Output Voltage Drop	I _{SINK} =50mA	VDC			0.2			0.2			0.2
Logic Supply Voltage V _{CC}		VDC	3	5	6	12	15	18	20	24	30
Logic Supply Current	V _{CC} =Max.	mADC			15			15			15
Turn-On Time (Nominal)	I _{SINK} =25mA	ms			20			20			20
Turn-Off Time (Nominal)	I _{SINK} =25mA	ms			30			30			30
Output Type (Open Collector)			Normally Open _(SINKING)			Normally Open _(SINKING)			Normally Open _(SINKING)		

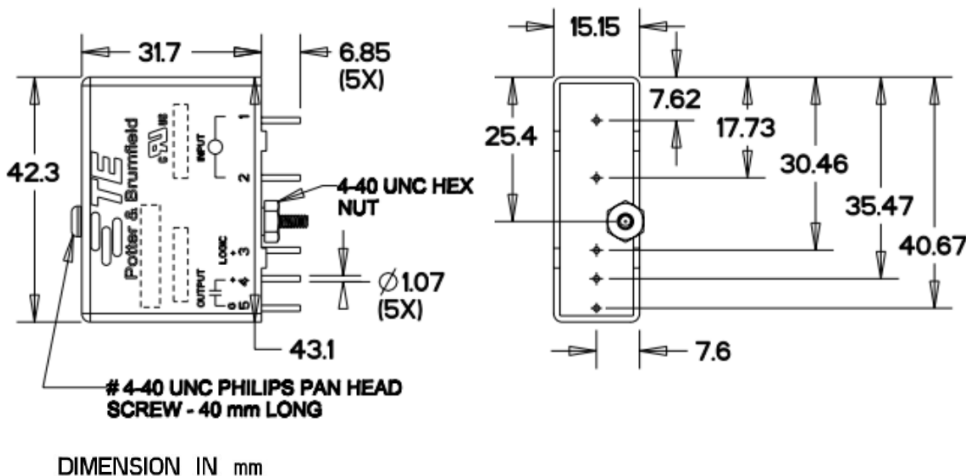
IAC Operating Diagram



PCB Layout



Outline Dimensions



Note : Extra nut and washer will be provided on the screw, which will goes under PCB to fix the relay.
Hex Nut S= 6.35 (width across flats), Thickness = 2.40
Washer = OD : $\Phi 4.85 \pm 0.25$, ID: $\Phi 2.75 \pm 0.15$, Thickness = 0.55

X-ON Electronics

Largest Supplier of Electrical and Electronic Components

Click to view similar products for [I/O Modules](#) category:

Click to view products by [TE Connectivity](#) manufacturer:

Other Similar products are found below :

[70L-IDC5S](#) [70L-OAC-L](#) [70Z3289-4](#) [G21960000700](#) [G21960002700](#) [G34960002700](#) [G88104401](#) [OACU](#) [C4SWOUT](#) [PB16H](#)
[G34960001700](#) [G3TA-OA101SZ-1](#) [DC24](#) [G77-S](#) [G78-16-E](#) [5607189](#) [DA5](#) [ODC-24A](#) [IDC5P](#) [FC6A-N16B1](#) [6421](#) [FC6A-N32B3](#)
[70MRCQ32-HL](#) [G3TAOD201SDC24](#) [C200H-LK201-V1](#) [G3TA-OA202SZ-US](#) [DC12](#) [GT1-OD16](#) [GT1-AD04CST](#) [B7AM-6BS](#) [70GRCQ24-](#)
[HS](#) [6422](#) [84110410](#) [GT1-OD16MX](#) [G7VC-OC16-B7](#) [70MRCK24-DIN](#) [6202](#) [6402](#) [PI/NI-2D/24](#) [FC6A-J2C1](#) [FC6A-KC1C](#) [FC6A-R081](#)
[FC6A-J8CU1](#) [GP32900003700](#) [641-480-5022](#) [PB16H](#) [84145010](#) [84110210](#) [FRUSB1601](#) [PCL-720+-BE](#) [FRRJ451601](#) [AP24MX3DB25F](#)