

IAC Series

AC Input Module

 File E29244

Users should thoroughly review the technical data before selecting a product part number. It is recommended that users also seek out the pertinent approvals files of the agencies/laboratories and review them to ensure the product meets the requirements for a given application.

Features

- Industry standard package and pin-out.
- Color coded by function.
- 4000V rms optical isolation.
- High immunity to false operation.
- Series compatible.
- Compatible with 2IO series mounting boards.

Engineering Data

Switch Form: 1 Form A (SPST-NO)
Duty: Continuous.
Operating Temperature: -30°C to +80°C.
Storage Temperature: -30°C to 100°C.
Potting Compound Flammability: UL94V-0.
Approximate Weight: 1.38 oz. (35g).

Ordering Information

Typical Part Number >

IAC -5 A

1. Basic Series: IAC = AC input module - yellow case

2. Logic Voltage: 5 = 5VDC
 15 = 15VDC
 24 = 24VDC

3. Input: Blank = 120VAC input (90-140VAC) **
 A = 240VAC input (180-280VAC) **
 E = 18-36VAC input **

** Is not polarity sensitive.

Our authorized distributors are more likely to maintain the following items in stock for immediate delivery.

- IAC-5
- IAC-5A
- IAC-5E
- IAC-15
- IAC-24

Input Specifications

| Parameter | Conditions | Units | IAC-5 | | | IAC-5A | | | IAC-5E | | |
|------------------------------------|--------------------------|-------|-------------------|--------|------|---------|---------|------|-----------|---------|------|
| | | | IAC-15 | IAC-24 | | IAC-15A | IAC-24A | | IAC-15E | IAC-24E | |
| | | | Min. | Typ. | Max. | Min. | Typ. | Max. | Min. | Typ. | Max. |
| Control Voltage Range V_{IN} | | VAC | 90 | 120 | 140 | 180 | 240 | 280 | 18 | 24 | 36 |
| Must Operate Voltage $V_{IN(OP)}$ | | VAC | | | 90 | | | 180 | | | 18 |
| Must Release Voltage $V_{IN(REL)}$ | | VAC | 60 | | | 60 | | | 10 | | |
| Max. Input Current | @ $V_{IN} = \text{Max.}$ | mA | 1 - 5 | | | 1 - 8 | | | 0.2 - 2.0 | | |
| Input Resistance | | Ohms | Current Regulator | | | | | | | | |

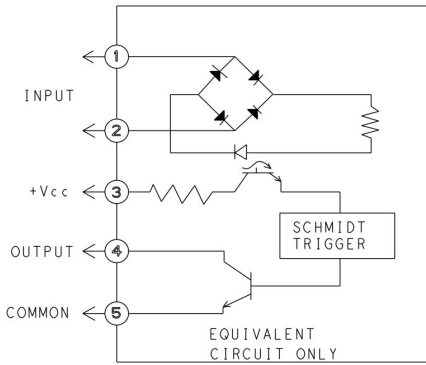
IAC Series (Continued)

AC Input Module

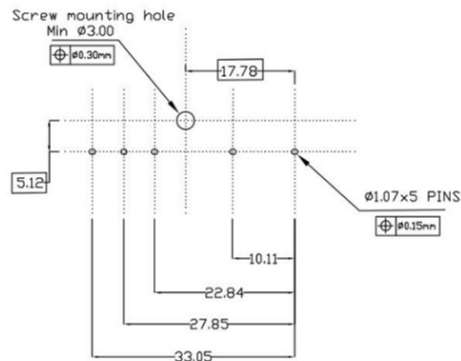
Output Specifications (@ +25°C unless otherwise specified)

| Parameter | Conditions | Units | IAC-5 | | | IAC-15 | | | IAC-24 | | |
|--------------------------------------|-------------------------|-------|------------------------------------|--------|------|------------------------------------|---------|------|------------------------------------|---------|------|
| | | | IAC-5A | IAC-5E | | IAC-15A | IAC-15E | | IAC-24A | IAC-24E | |
| | | | Min. | Typ. | Max. | Min. | Typ. | Max. | Min. | Typ. | Max. |
| Maximum Output Voltage | | VDC | | | 30 | | | 30 | | | 30 |
| Maximum Output Current | | mADC | | | 50 | | | 50 | | | 50 |
| Maximum Output Leakage Current | V _{OUT} =Max. | mA | | | 10 | | | 10 | | | 10 |
| Maximum Output Voltage Drop | I _{SINK} =50mA | VDC | | | 0.2 | | | 0.2 | | | 0.2 |
| Logic Supply Voltage V _{CC} | | VDC | 3 | 5 | 6 | 12 | 15 | 18 | 20 | 24 | 30 |
| Logic Supply Current | V _{CC} =Max. | mADC | | | 15 | | | 15 | | | 15 |
| Turn-On Time (Nominal) | I _{SINK} =25mA | ms | | | 20 | | | 20 | | | 20 |
| Turn-Off Time (Nominal) | I _{SINK} =25mA | ms | | | 30 | | | 30 | | | 30 |
| Output Type (Open Collector) | | | Normally Open _(SINKING) | | | Normally Open _(SINKING) | | | Normally Open _(SINKING) | | |

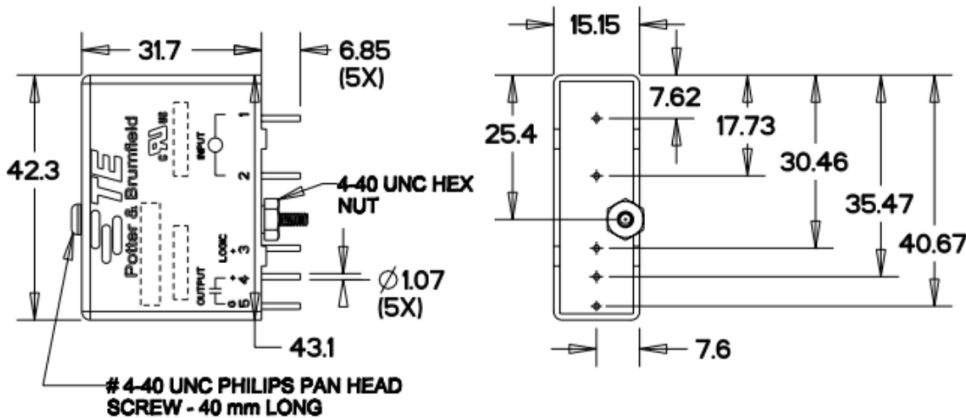
IAC Operating Diagram



PCB Layout



Outline Dimensions



Note : Extra nut and washer will be provided on the screw, which will goes under PCB to fix the relay.
Hex Nut S= 6.35 (width across flats), Thickness = 2.40
Washer = OD : $\Phi 4.85 \pm 0.25$, ID: $\Phi 2.75 \pm 0.15$, Thickness = 0.55

X-ON Electronics

Largest Supplier of Electrical and Electronic Components

Click to view similar products for [I/O Modules](#) category:

Click to view products by [TE Connectivity](#) manufacturer:

Other Similar products are found below :

[70L-IDC5S](#) [70L-OAC-L](#) [70Z3289-4](#) [G21960000700](#) [G21960002700](#) [G34960002700](#) [OACU](#) [C4SWOUT](#) [PB16H](#) [G34960001700](#) [G3TA-OA101SZ-1](#) [DC24](#) [G77-S](#) [5607189](#) [DA5](#) [ODC-24A](#) [IDC5P](#) [FC6A-N16B1](#) [6421](#) [FC6A-N32B3](#) [70MRCQ32-HL](#) [G3TAOD201SDC24](#) [C200H-LK201-V1](#) [G3TA-OA202SZ-US](#) [DC12](#) [GT1-OD16](#) [GT1-AD04CST](#) [B7AM-6BS](#) [70GRCQ24-HS](#) [6422](#) [84110410](#) [GT1-OD16MX](#) [G7VC-OC16-B7](#) [70MRCK24-DIN](#) [6202](#) [6402](#) [PI/NI-2D/24](#) [FC6A-J2C1](#) [FC6A-KC1C](#) [FC6A-R081](#) [FC6A-J8CU1](#) [GP32900003700](#) [641-480-5022](#) [PB16H](#) [84145010](#) [84110210](#) [FRUSB1601](#) [PCL-720+-BE](#) [FRRJ451601](#) [AP24MX3DB25F](#) [ADAM-5053S-AE](#) [WISE-S614-A](#)