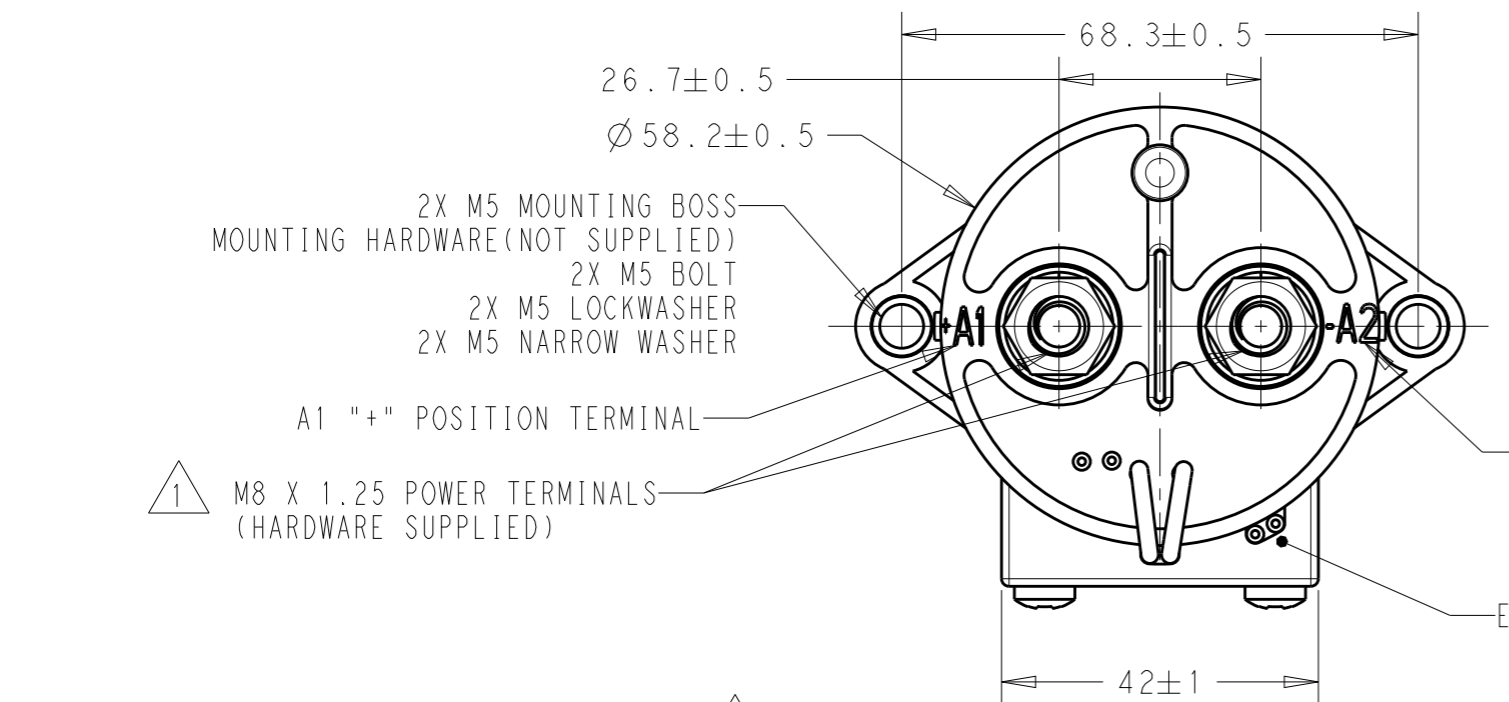


THIS DRAWING IS UNPUBLISHED. RELEASED FOR PUBLICATION 20  
 © COPYRIGHT 20 BY - TE INDUSTRIAL ALL RIGHTS RESERVED.

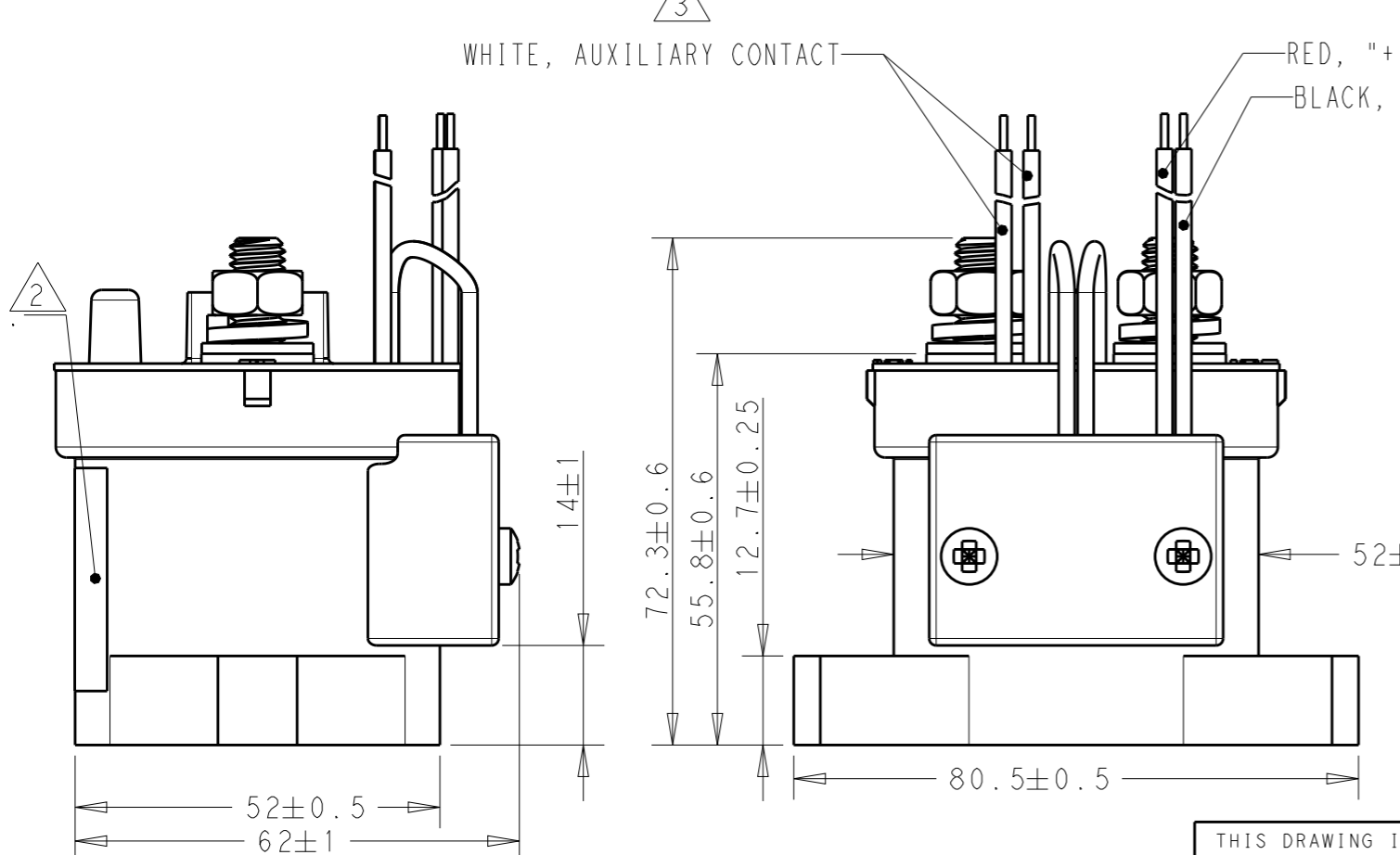
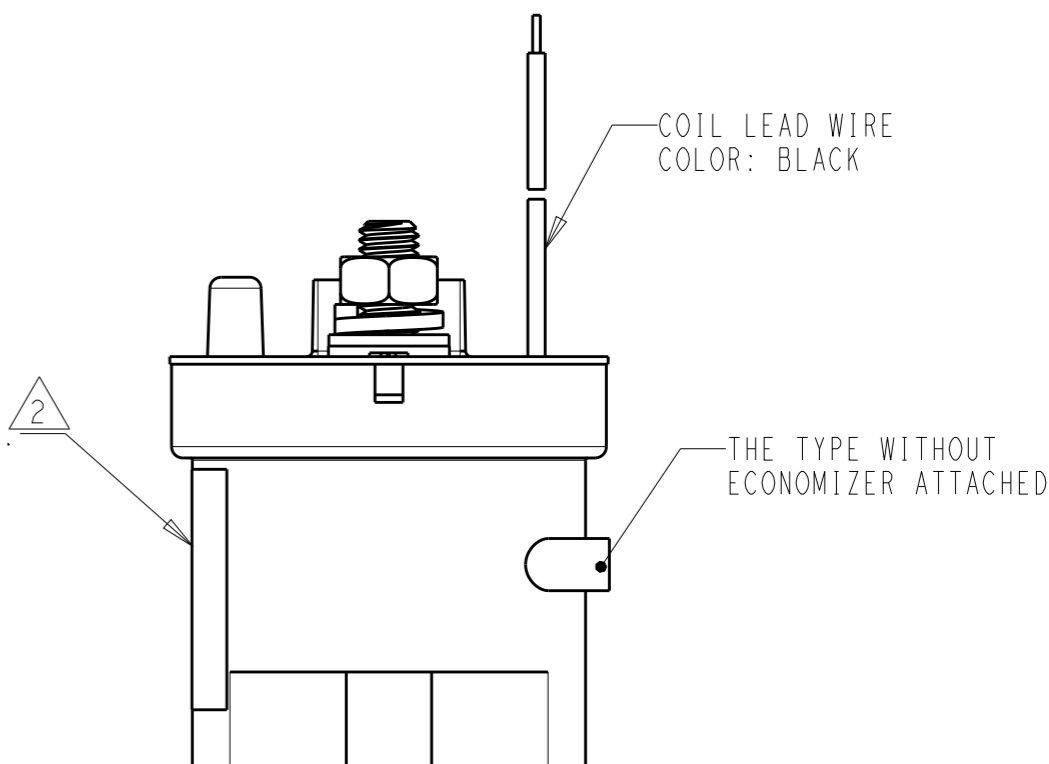
REVISIONS

P	LTR	DESCRIPTION	DATE	DWN	APVD
	A	RELEASE	06SEP2016	X.Z	S.Z
	B	ECO-18-016894 combine QR code to label	25OCT2018	T.Z	XN.Z
	B1	Add 3C LOGO ECO-20-016235	25NOV2020	T.Z	XN.Z



- 2X M5 MOUNTING BOSS
- MOUNTING HARDWARE (NOT SUPPLIED)
- 2X M5 BOLT
- 2X M5 LOCKWASHER
- 2X M5 NARROW WASHER

1 M8 X 1.25 POWER TERMINALS (HARDWARE SUPPLIED)



NOTES:

- 1. HARDWARE IS SUPPLIED IN KIT  
 2X M8 WASHER, STAINLESS  
 2X M8 LOCKWASHER-SPOT RING, STAINLESS  
 2X M8X1.25 NUT, STAINLESS
- 2. LABEL, QR CODE PRINTED CONTENT.  
 MMY-001, PPPPPP, 0001  
 SERIALS NUMBER (1~9999)  
 PRODUCT NUMBER (1-7-1)  
 MANUFACTURING BATCH NUMBER (1~999)  
 YEAR OF MANUFACTURE (LAST 2 DIG OF YEAR)  
 MONTH OF MANUFACTURE (MONTH)
- 3. LEAD WIRES:  
 UL3321, 22AWG  
 LENGTH = 380MM ± 20MM

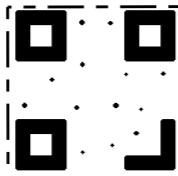
THIS DRAWING IS A CONTROLLED DOCUMENT.		DWN 06SEP2016	TE Connectivity	
		CHK XN.ZHANG		
DIMENSIONS: mm		APVD 06SEP2016	NAME IHV200 SERIES PRODUCT	
TOLERANCES UNLESS OTHERWISE SPECIFIED:		PRODUCT SPEC	-	
0 PLC ±-		APPLICATION SPEC	-	
1 PLC ±0.1		WEIGHT	-	
2 PLC ±0.01		CUSTOMER DRAWING	SIZE A3	RESTRICTED TO
3 PLC ±0.001			CAGE CODE -	DRAWING NO C-2071410
4 PLC ±0.0001			SCALE 1:1	SHEET 1 OF 2
ANGLES ±-				REV B1
MATERIAL -				
FINISH -				

REVISIONS

P	LTR	DESCRIPTION	DATE	DWN	APVD
		SEE SHEET 1			

# LABEL PRINT CONTENT

SCALE 4:1



QR CODE

(B)

## CHINA

### RELAY IHV200AAANA

PRODUCT NAME

### P/N 2071410-1

PART NUMBER



GB/T 14048.5

(B1)

### Coil: 12-24VDC

COIL VOLTAGE RANGE

### ECONOMIZER ATTACHED

ECONOMIZER STATE

### 1630

### STV29

PRODUCTION DATE "YYWW"

MANUFACTURING FACILITY CODE

UNATTACHED	NORMALLY OPEN	72 VDC	IHV200H3ANA	3-2071410-3
UNATTACHED	NORMALLY OPEN	48 - 72 VDC	IHV200H2ANA	3-2071410-2
UNATTACHED	NORMALLY OPEN	12 - 24 VDC	IHV200H1ANA	3-2071410-1
ATTACHED	NORMALLY OPEN	72 VDC	IHV200HJANA	2-2071410-3
ATTACHED	NORMALLY OPEN	48 - 72 VDC	IHV200HDANA	2-2071410-2
ATTACHED	NORMALLY OPEN	12 - 24 VDC	IHV200HAANA	2-2071410-1
UNATTACHED	NONE	72 VDC	IHV200A3ANA	1-2071410-3
UNATTACHED	NONE	48 - 72 VDC	IHV200A2ANA	1-2071410-2
UNATTACHED	NONE	12 - 24 VDC	IHV200A1ANA	1-2071410-1
ATTACHED	NONE	72 VDC	IHV200AJANA	2071410-3
ATTACHED	NONE	48 - 72 VDC	IHV200ADANA	2071410-2
ATTACHED	NONE	12 - 24 VDC	IHV200AAANA	2071410-1
ECO. STATE	AUX. CONTACT	COIL VOLTAGE	PRODUCT NAME	PART NUMBER

THIS DRAWING IS A CONTROLLED DOCUMENT.		DWN	-		
		CHK	-		
		APVD	-		
		PRODUCT SPEC	-		
DIMENSIONS:		TOLERANCES UNLESS OTHERWISE SPECIFIED:		NAME	
mm				-	
		0 PLC ±-		-	
		1 PLC ±0.1		-	
		2 PLC ±0.01		-	
		3 PLC ±0.001		-	
		4 PLC ±0.0001		-	
MATERIAL		FINISH		SIZE	
-		-		A3	
				CAGE CODE	
				-	
				DRAWING NO	
				C-2071410	
				RESTRICTED TO	
				-	
				SCALE	
				4:1	
				SHEET	
				2 OF 2	
				REV	
				B1	
				CUSTOMER DRAWING	

## X-ON Electronics

Largest Supplier of Electrical and Electronic Components

*Click to view similar products for* [Contactors - Electromechanical category:](#)

*Click to view products by* [TE Connectivity manufacturer:](#)

Other Similar products are found below :

[686-120111](#) [70-901](#) [70-914](#) [MB-3D-6](#) [MC-22A/4-AC120V](#) [8-1616943-9](#) [8-1672124-5](#) [A701U](#) [AVR743D](#) [B6-40-00-84](#) [B7-40-00-84](#)  
[1616017-5](#) [HP-11D-24](#) [P25-E5019-1](#) [P40P47D13P1-24-01](#) [CA7-72-00-24Z](#) [90-162](#) [9-1393132-2](#) [2NC4F0222](#) [ACC338UMM20](#)  
[AF80-30-11-13](#) [SZ-B1](#) [3GC2H0M22](#) [3NC0T0A22](#) [3NC1Q0A22](#) [42AF35AG](#) [42AF35AH](#) [42CF35AE](#) [42CF35AL](#) [42FE35AFR](#)  
[45CG10AFA](#) [45CG10AJA](#) [45CG10EJA](#) [45CG20AF](#) [45CG20AL](#) [45CG20EF](#) [45CG20EG](#) [45CG20EL](#) [45DG10AFA](#) [45DG10AGA](#)  
[45DG10AJA](#) [45DG10ALA](#) [45DG10ELA](#) [45DG20AG](#) [45DG20AL](#) [45EG10AFA](#) [45EG10AJA](#) [45EG10ALA](#) [45EG20AL](#) [45FG10AFA](#)