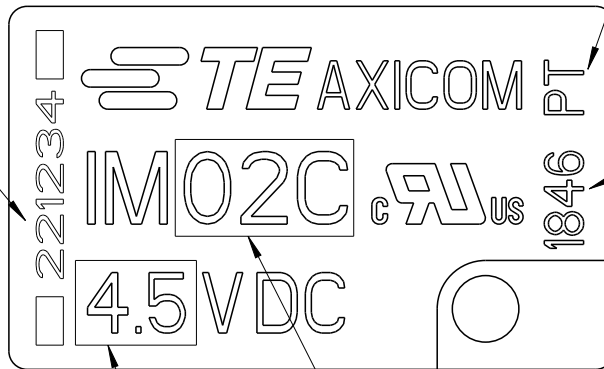


| LOC | DIST | REVISIONS | | | | | |
|-----|------|-----------|-----|--|-----------|-----|------|
| | | P | LTR | DESCRIPTION | DATE | DWN | APVD |
| HJ | - | | B14 | ECR-12-021486 (Marking C to Q) | 20DEC2012 | UKo | JB |
| | | | C | ECR-13-014508 | 13OCT2015 | UKo | Ak |
| | | | C1 | ECR-14-007162 | 21SET2017 | AP | AK |
| | | | C2 | ECR-18-017686 (Add prod. site; PN List update) | 07MAY2019 | HC | LS |

H Swiss made (until 2013)
 PT Portugal made
 Q China made (until 2016)
 C China made (until 2012)
 AT Austria made



Order Number - ABCCCC
 Portugal made:
 A - Packing day
 B - Shift (1=day, 2=night)
 C - Lot number (sequential)
 Austria Made:
 A - Line (1...Line1)
 B - Day (1...7, Monday=1, Tuesday=2)
 C - Time(hhmm)
 Other country made:
 A - Year (first digit)
 B - Year (second digit)
 C - Lot number (sequential)


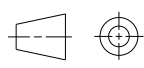
Date code (YYWW)

Mark 2) Mark 1)

| Relay-Typ | Mark 1) | Mark 2) | PN (GR) | PN (JR) | PN (TS) | PN (KS/NS) |
|-----------|---------|---------|-------------|-------------|-------------|--------------|
| IM00.. | 00 | 1.5 | 3-1462037-7 | | 3-1462037-5 | |
| IM00NS | 00N | 1.5 | | | | 1-1462038-0* |
| IM01.. | 01 | 3 | 1462037-1 | 4-1462037-0 | 1462037-4 | |
| IM01B.. | 01B | 3 | 4-1462039-5 | | | |
| IM01C.. | 01C | 3 | 1462038-4 | | | |
| IM01NS | 01N | 3 | | | | 1-1462038-1 |
| IM01N..L | 01N | 3 | | | | 4-1462039-3 |
| IM01P | 01P | 3 | 9-1462037-3 | | | |
| IM02.. | 02 | 4.5 | 1462037-9 | 1-1462037-1 | 1-1462037-3 | 6-1462039-4 |
| IM02.. | 02 | 4.5 | 8-1462039-1 | | | |
| IM02..L | 02 | 4.5 | 2-1462039-3 | | | |
| IM02C.. | 02C | 4.5 | 1462038-1 | | | |
| IM02D.. | 02D | 4.5 | 9-1462038-8 | | | |
| IM02H.. | 02H | 4.5 | 1-1462039-1 | | | |
| IM02I.. | 02I | 4.5 | 1462047-9 | 1462047-8 | | |
| IM02NS | 02N | 4.5 | | | | 1-1462038-2 |

*obsolete

DRAWING ALIAS: IM0C-DOK17

| | | | | |
|--|------------------|------------------|--|---------------|
| DIMENSIONS: mm | DWN HD 9121 | 21FEB2003 | MATERIAL | FINISH |
| | CHK HD 9121 | 21FEB2003 |  TE Connectivity | |
| TOLERANCES UNLESS OTHERWISE SPECIFIED: DIN 7168-m | APVD HD 9121 | 21FEB2003 | | |
| | PRODUCT SPEC | - | IM-Relay Marking | |
| 0 PLC ±- | APPLICATION SPEC | - | SIZE | CAGE CODE |
| 1 PLC ±- | WEIGHT | - | A 4 | 00779 |
| 2 PLC ±- | | | DRAWING NO | RESTRICTED TO |
| 3 PLC ±- | | | © = 1462037-1 | - |
| 4 PLC ±- | | | | |
| ANGLES ±- | | | | |
|  | | CUSTOMER DRAWING | | SCALE 10:1 |
| | | | | SHEET 1 OF 6 |
| | | | | REV C2 |

2000

RELEASED FOR PUBLICATION

ALL RIGHTS RESERVED.

THIS DRAWING IS UNPUBLISHED.


© COPYRIGHT 2000

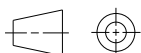
| | | | | | | | |
|-----|------|-----------|-----|-------------|------|-----|------|
| LOC | DIST | REVISIONS | | | | | |
| HJ | - | P | LTR | DESCRIPTION | DATE | DWN | APVD |
| | | - | | SEE SHEET 1 | - | - | - |
| | | | | | | | |
| | | | | | | | |

| Relay-Typ | Mark 1) | Mark 2) | PN (GR) | PN (JR) | PN (TS) | PN (KS/NS) |
|-----------|---------|---------|-------------|-------------|-------------|-------------|
| IM02NS..L | 02N | 4.5 | | | | 2-1462039-4 |
| IM02PNS | 02P | 4.5 | | | | 5-1462039-8 |
| IM03.. | 03 | 5 | 1-1462037-4 | 1-1462037-6 | 1-1462037-8 | |
| IM03..L | 03 | 5 | 2-1462039-5 | | | |
| IM03..X | 03 | 5 | 8-1462039-6 | | | |
| IM03C.. | 03C | 5 | 1462038-2 | | 4-1462039-7 | |
| IM03D.. | 03D | 5 | 9-1462038-9 | 3-1462039-3 | 8-1462039-3 | |
| IM03I.. | 03I | 5 | | 1472047-6 | | |
| IM03NS | 03N | 5 | | | | 1-1462038-3 |
| IM03P.. | 03P | 5 | 5-1462039-5 | | | |
| IM03PNS | 03P | 5 | | | | 5-1462039-9 |
| IM04.. | 04 | 6 | 4-1462037-2 | 4-1462037-4 | 4-1462037-1 | |
| IM04B.. | 04B | 6 | 6-1462039-5 | | | |
| IM04NS | 04N | 6 | | | | 1-1462038-4 |
| IM05.. | 05 | 9 | 3-1462037-4 | 4-1462037-5 | 2-1462037-2 | |
| IM05B.. | 05B | 9 | 5-1462039-3 | | | |
| IM05C.. | 05C | 9 | 1462038-3 | | | |
| IM05D.. | 05D | 9 | 1-1462039-7 | | | |
| IM05NS | 05N | 9 | | | | 1-1462038-5 |
| IM06.. | 06 | 12 | 2-1462037-3 | 4-1462037-6 | 2-1462037-7 | |
| IM06C.. | 06C | 12 | 9-1462037-9 | 3-1462039-4 | 4-1462037-9 | |
| IM06D.. | 06D | 12 | 1-1462039-8 | 7-1462039-0 | 3-1462039-8 | |
| IM06NS | 06N | 12 | | | | 1-1462038-6 |
| IM06P.. | 06P | 12 | 5-1462039-6 | | | |
| IM06PNS | 06P | 12 | | | | 6-1462039-0 |
| IM07.. | 07 | 24 | 4-1462037-7 | 4-1462037-8 | 3-1462037-0 | |

*obsolete

DRAWING ALIAS: IM0C-DOK17

| | | | | | | | | | |
|---|--|------------------|-----------|--|-----------|--------------|---------------|--------------|---------|
| DIMENSIONS: | | DWN | 21FEB2003 | MATERIAL | FINISH | | | | |
| mm | | HD 9121 | | - | | | | | |
| TOLERANCES UNLESS OTHERWISE SPECIFIED: DIN 7168-m | | CHK | 21FEB2003 |  TE Connectivity | | | | | |
| | | HD 9121 | | | | | | | |
| 0 PLC ±- 1 PLC ±- 2 PLC ±- 3 PLC ±- 4 PLC ±- ANGLES ±- | | APVD | 21FEB2003 | NAME IM-Relay Marking | | | | | |
| | | HD 9121 | | | | | | | |
| | | PRODUCT SPEC | | SIZE | CAGE CODE | DRAWING NO | RESTRICTED TO | | |
| | | | | A 4 | 00779 | ©= 1462037-1 | - | | |
| | | APPLICATION SPEC | | CUSTOMER DRAWING | | | SCALE 10:1 | SHEET 2 OF 6 | REV C 2 |
| | | WEIGHT | | | | | | | |




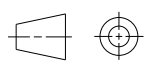
2000
 RELEASED FOR PUBLICATION
 ALL RIGHTS RESERVED.
 THIS DRAWING IS UNPUBLISHED.
 © COPYRIGHT 2000

| | | | | | | | |
|-----|------|-----------|-----|-------------|------|-----|------|
| LOC | DIST | REVISIONS | | | | | |
| HJ | - | P | LTR | DESCRIPTION | DATE | DWN | APVD |
| | | | - | SEE SHEET 1 | - | - | - |
| | | | | | | | |
| | | | | | | | |

| Relay-Typ | Mark 1) | Mark 2) | PN (GR) | PN (JR) | PN (TS) | PN (KS/NS) |
|-----------|---------|---------|-------------|-------------|-------------|-------------|
| IM07C.. | 07C | 24 | 1462039-2 | | 1462039-1 | |
| IM07D.. | 07D | 24 | | 7-1462039-4 | 7-1462039-2 | |
| IM07NS | 07N | 24 | | | | 1-1462038-7 |
| IM08I.. | 08I | 2.4 | | | 1462047-3 | |
| IM11.. | 11 | 3 | 9-1462038-5 | | | |
| IM12.. | 12 | 4.5 | 1462039-3 | | | |
| IM13.. | 13 | 5 | 1462039-4 | | | |
| IM15.. | 15 | 9 | 8-1462039-5 | | | |
| IM16.. | 16 | 12 | 1462039-5 | | | |
| IM17.. | 17 | 24 | 1462039-6 | | 4-1462039-6 | |
| IM21.. | 21 | 3 | 2-1462039-6 | | 1-1462039-5 | |
| IM22.. | 22 | 4.5 | 2-1462039-7 | | 2-1462039-8 | 8-1462039-9 |
| IM23.. | 23 | 5 | 2-1462039-9 | | 3-1462039-0 | 6-1462039-7 |
| IM25.. | 25 | 9 | 3-1462039-5 | | | |
| IM26.. | 26 | 12 | 3-1462039-1 | | 3-1462039-2 | |
| IM40.. | 40 | 1.5 | 5-1462037-1 | | | |
| IM40D.. | 40D | 1.5 | 8-1462039-4 | | | |
| IM40NS | 40N | 1.5 | | | | 1-1462038-8 |
| IM41.. | 41 | 3 | 5-1462037-4 | 5-1462037-5 | 5-1462037-3 | |
| IM41C.. | 41C | 3 | 4-1462039-2 | | | |
| IM41D.. | 41D | 3 | 6-1462039-8 | | | |
| IM41NS | 41N | 3 | | | | 1-1462038-9 |
| IM42.. | 42 | 4.5 | 3-1462037-1 | 5-1462037-7 | 5-1462037-6 | |
| IM42C.. | 42C | 4.5 | 4-1462039-1 | | | |
| IM42D.. | 42D | 4.5 | 1-1462039-9 | | | |

*obsolete

DRAWING ALIAS: IM0C-DOK17

| | | | | |
|--|--|------------------------------|--|---------------|
| DIMENSIONS: mm | | DWN HD 9121 21FEB2003 | MATERIAL | FINISH |
| TOLERANCES UNLESS OTHERWISE SPECIFIED: DIN 7168-m | | CHK HD 9121 21FEB2003 |  TE Connectivity | |
| | | APVD HD 9121 21FEB2003 | | |
| 0 PLC ±- | | PRODUCT SPEC | NAME IM-Relay Marking | |
| 1 PLC ±- | | - | | |
| 2 PLC ±- | | APPLICATION SPEC | SIZE | CAGE CODE |
| 3 PLC ±- | | - | A 4 | 00779 |
| 4 PLC ±- | | | DRAWING NO | RESTRICTED TO |
| ANGLES ±- | | WEIGHT | © = 1462037-1 | - |
|  | | CUSTOMER DRAWING | SCALE 10:1 | SHEET 3 OF 6 |
| | | | | REV C 2 |

2000

RELEASED FOR PUBLICATION

ALL RIGHTS RESERVED.

© COPYRIGHT 2000


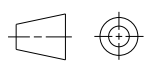
THIS DRAWING IS UNPUBLISHED.

| | | | | | | | |
|-----|------|-----------|-----|-------------|------|-----|------|
| LOC | DIST | REVISIONS | | | | | |
| HJ | - | P | LTR | DESCRIPTION | DATE | DWN | APVD |
| | | - | | SEE SHEET 1 | - | - | - |
| | | | | | | | |
| | | | | | | | |

| Relay-Typ | Mark 1) | Mark 2) | PN (GR) | PN (JR) | PN (TS) | PN (KS/NS) |
|-----------|---------|---------|-------------|-------------|-------------|-------------|
| IM42DNS | 42D | 4.5 | | | | 1-1462039-6 |
| IM42NS | 42N | 4.5 | | | | 2-1462038-0 |
| IM42P.. | 42P | 4.5 | 5-1462039-7 | | | |
| IM42PNS | 42P | 4.5 | | | | 7-1462039-8 |
| IM43.. | 43 | 5 | 5-1462037-9 | 6-1462037-0 | 5-1462037-8 | |
| IM43C.. | 43C | 5 | 9-1462038-7 | | | |
| IM43NS | 43N | 5 | | | | 2-1462038-1 |
| IM44.. | 44 | 6 | 6-1462037-2 | 6-1462037-3 | 6-1462037-1 | |
| IM44NS | 44N | 6 | | | | 2-1462038-2 |
| IM45.. | 45 | 9 | 6-1462037-4 | 6-1462037-5 | 3-1462037-2 | |
| IM45I.. | 45I | 9 | 1462047-5 | | | |
| IM45NS | 45 | 9 | | | | 2-1462038-3 |
| IM46.. | 46 | 12 | 6-1462037-7 | 6-1462037-8 | 6-1462037-6 | |
| IM46C.. | 46C | 12 | 8-1462039-0 | | | |
| IM46NS | 46N | 12 | | | | 2-1462038-4 |
| IM46PNS | 46P | 12 | | | | 6-1462039-1 |
| IM47.. | 47 | 24 | 7-1462037-0 | | 6-1462037-9 | |
| IM47D.. | 47D | 24 | | 7-1462039-5 | | |
| IM47NS | 47N | 24 | | | | 2-1462038-5 |
| IM48.. | 48 | 2.4 | 1462039-8 | | | |
| IM48D.. | 48D | 2.4 | 1462039-9 | | | |
| IM48C.. | 48C | 2,4 | 9-1462039-0 | | | |
| IM48I.. | 48I | 2.4 | 1462047-1 | | | |
| IM49I.. | 49I | 2 | 1462047-4 | | | |
| | | | | | | |

*obsolete

DRAWING ALIAS: IM0C-DOK17

| | | | | |
|--|--|------------------------------|--|---------------|
| DIMENSIONS: mm | | DWN HD 9121 21FEB2003 | MATERIAL - | FINISH - |
| TOLERANCES UNLESS OTHERWISE SPECIFIED: DIN 7168-m | | CHK HD 9121 21FEB2003 |  TE Connectivity | |
| | | APVD HD 9121 21FEB2003 | | |
| 0 PLC ±- | | PRODUCT SPEC | NAME IM-Relay Marking | |
| 1 PLC ±- | | - | | |
| 2 PLC ±- | | APPLICATION SPEC | SIZE | CAGE CODE |
| 3 PLC ±- | | - | A 4 | 00779 |
| 4 PLC ±- | | | DRAWING NO | RESTRICTED TO |
| ANGLES ±- | | WEIGHT | © = 1462037-1 | - |
|  | | CUSTOMER DRAWING | SCALE 10:1 | SHEET 4 OF 6 |
| | | | | REV C 2 |

2000

RELEASED FOR PUBLICATION

ALL RIGHTS RESERVED.

© COPYRIGHT 2000


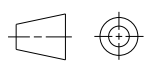
THIS DRAWING IS UNPUBLISHED.

| | | | | | | | |
|-----|------|-----------|-----|-------------|------|-----|------|
| LOC | DIST | REVISIONS | | | | | |
| HJ | - | P | LTR | DESCRIPTION | DATE | DWN | APVD |
| | | - | | SEE SHEET 1 | - | - | - |
| | | | | | | | |
| | | | | | | | |

| Relay-Typ | Mark 1) | Mark 2) | PN (GR) | PN (JR) | PN (TS) | PN (KS/NS) |
|------------|---------|---------|-------------|---------|-------------|------------|
| IM61.. | 61 | 3 | 7-1462039-7 | | | |
| IM68.. | 68 | 2.4 | 8-1462039-2 | | | |
| | | | | | | |
| | | | | | | |
| IMB01C .. | B01C | 3 | 1462041-1 | | 1462041-4 | |
| IMB02C .. | B02C | 4.5 | 1462041-2 | | | |
| IMB03C .. | B03C | 5 | 1462041-7 | | | |
| IMB03C ..E | B03C | 5 | 1-1462041-8 | | | |
| IMB04C .. | B04C | 6 | 1462041-9 | | 1-1462041-1 | |
| IMB05C .. | B05C | 9 | 1-1462041-0 | | 1-1462041-2 | |
| IMB06C .. | B06C | 12 | 1462041-3 | | 1462041-6 | |
| IMB07C .. | B07C | 24 | 1-1462041-3 | | 1-1462041-4 | |
| | | | | | | |
| IMB32B.. | B32B | 4.5 | 2-1462041-0 | | | |
| IMB33B.. | B33B | 5 | 1-1462041-9 | | | |
| IMB41C .. | B41C | 3 | 1-1462041-7 | | | |
| IMB42C .. | B42C | 4.5 | 1-1462041-6 | | 1-1462041-5 | |
| | | | | | | |
| | | | | | | |
| | | | | | | |
| | | | | | | |

*obsolete

DRAWING ALIAS: IM0C-DOK17

| | | | | | |
|--|--|------------------------------|--|-------------|---------------|
| DIMENSIONS: mm | | DWN HD 9121 21FEB2003 | MATERIAL - | FINISH - | |
| TOLERANCES UNLESS OTHERWISE SPECIFIED: DIN 7168-m | | CHK HD 9121 21FEB2003 |  TE Connectivity | | |
| | | APVD HD 9121 21FEB2003 | | | |
| 0 PLC ±- | | PRODUCT SPEC | NAME IM-Relay Marking | | |
| 1 PLC ±- | | - | | | |
| 2 PLC ±- | | APPLICATION SPEC | SIZE | CAGE CODE | DRAWING NO |
| 3 PLC ±- | | - | A 4 | 00779 | © = 1462037-1 |
| 4 PLC ±- | | WEIGHT | RESTRICTED TO | | |
| ANGLES ±- | | - | - | | |
|  | | CUSTOMER DRAWING | | SCALE | SHEET |
| | | | | 10:1 | 5 OF 6 |
| | | | | | REV C 2 |


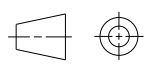
2000
 RELEASED FOR PUBLICATION
 ALL RIGHTS RESERVED.
 COPYRIGHT 2000

| | | | | | | | |
|-----------|-----------|-----------|-----|-------------|------|-----|------|
| LOC HJ | DIST - | REVISIONS | | | | | |
| | | P | LTR | DESCRIPTION | DATE | DWN | APVD |
| | | | - | SEE SHEET 1 | - | - | - |
| | | | | | | | |
| | | | | | | | |

| Relay-Typ | Mark 1) | Mark 2) | PN (GR) | PN (JR) | PN (TS) | PN (KS/NS) |
|-----------|---------|---------|-------------|---------|-------------|------------|
| IMC01.. | C01 | 3 | 1462042-1 | | 1462042-4 | |
| IMC02.. | C02 | 4.5 | 1462042-2 | | 1462042-5 | |
| IMC03.. | C03 | 5 | 1462042-8 | | 1462042-7 | |
| IMC06.. | C06 | 12 | 1462042-3 | | 1462042-6 | |
| IMC07.. | C07 | 24 | 1-1462042-1 | | 1-1462042-2 | |
| | | | | | | |
| IMC02C.. | C02C | 4.5 | 1-1462042-0 | | | |
| IMC03C.. | C03C | 5 | 1-1462042-5 | | | |
| IMC06C.. | C06C | 12 | 1462042-9 | | 1-1462042-4 | |
| IMC41C.. | C41C | 3 | | | 1-1462042-3 | |
| | | | | | | |
| | | | | | | |
| | | | | | | |
| IME01.. | E01 | 3 | 1462043-1 | | 1462043-5 | |
| IME02.. | E02 | 4.5 | 1462043-2 | | 1462043-6 | |
| IME03.. | E03 | 5 | 1462043-3 | | 1462043-7 | |
| IME06.. | E06 | 12 | 1462043-4 | | 1462043-8 | |
| | | | | | | |
| IMF61.. | F61 | 3 | 1462048-3 | | | |
| IMF68.. | F68 | 2.4 | 1-1462048-0 | | | |
| | | | | | | |
| | | | | | | |

*obsolete

DRAWING ALIAS: IMOC-DOK17

| | | | | | | |
|--|--|------------------|-----------|--|-----------|---------------|
| DIMENSIONS: mm | | DWN HD 9121 | 21FEB2003 | MATERIAL | FINISH | |
| TOLERANCES UNLESS OTHERWISE SPECIFIED: DIN 7168-m | | CHK HD 9121 | 21FEB2003 |  TE Connectivity | | |
| | | APVD HD 9121 | 21FEB2003 | | | |
| 0 PLC ±- | | PRODUCT SPEC | | NAME IM-Relay Marking | | |
| 1 PLC ±- | | - | | | | |
| 2 PLC ±- | | APPLICATION SPEC | | SIZE | CAGE CODE | DRAWING NO |
| 3 PLC ±- | | - | | A 4 | 00779 | © = 1462037-1 |
| 4 PLC ±- | | WEIGHT | | RESTRICTED TO | | |
| ANGLES ±- | | - | | - | | |
|  | | CUSTOMER DRAWING | | SCALE | SHEET | REV |
| | | | | 10:1 | 6 OF 6 | C 2 |

2000

RELEASED FOR PUBLICATION

ALL RIGHTS RESERVED.

© COPYRIGHT 2000

THIS DRAWING IS UNPUBLISHED.

X-ON Electronics

Largest Supplier of Electrical and Electronic Components

Click to view similar products for [High Frequency / RF Relays](#) category:

Click to view products by [TE Connectivity](#) manufacturer:

Other Similar products are found below :

[134M4-26](#) [134YZM4-12](#) [136CM9-5](#) [ER136CZM9-5B](#) [ER412DYM-12B](#) [ARA200A4HM01](#) [3SBH1020A2](#) [400-192-10](#) [412TM-18](#)
[ARN12A12](#) [422DM-26](#) [411T-12](#) [LB363-100-5](#) [D3210](#) [ARN10A12](#) [ER116C-26A](#) [ER114ZM4-12A/SQ](#) [ER412-26B/Q](#) [ER134DYZ-12A](#) [36](#)
[AT5](#) [25-200ZA](#) [36 T5](#) [48-000ZA](#) [27 T5](#) [24-200ZA](#) [27 T5](#) [26-200ZA](#) [27 T5](#) [28-200ZA](#) [ER411DM4-12A/SQ](#) [732-5/Q](#)
[R591362640](#) [R591723400](#) [R595867120](#) [HF3 02](#) [R594873417](#) [R595863115](#) [IM43TS](#) [IMB03CTS](#) [IM05CGR](#) [IM02CGR](#) [IM21TS](#) [732TN-26](#)
[1-1462038-1](#) [IMB06CTS](#) [1462041-3](#) [1462051-5](#) [1462050-1](#) [1462050-2](#) [G6K-2F-RF-S-DC5](#) [ARE10A4H](#) [ARE1024](#) [ARS1012](#) [ARS1024](#)
[ARJ22A12](#)