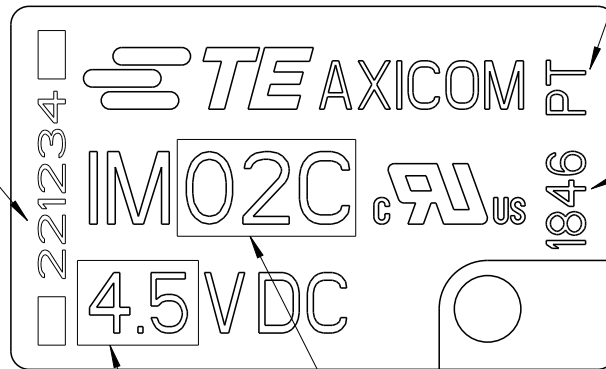


LOC	DIST	REVISIONS					
		P	LTR	DESCRIPTION	DATE	DWN	APVD
HJ	-		B14	ECR-12-021486 (Marking C to Q)	20DEC2012	UKo	JB
			C	ECR-13-014508	13OCT2015	UKo	Ak
			C1	ECR-14-007162	21SET2017	AP	AK
			C2	ECR-18-017686 (Add prod. site; PN List update)	07MAY2019	HC	LS

H Swiss made (until 2013)  
 PT Portugal made  
 Q China made (until 2016)  
 C China made (until 2012)  
 AT Austria made



Order Number - ABCCCC  
 Portugal made:  
 A - Packing day  
 B - Shift (1=day, 2=night)  
 C - Lot number (sequential)  
 Austria Made:  
 A - Line (1...Line1)  
 B - Day (1...7, Monday=1, Tuesday=2)  
 C - Time(hhmm)  
 Other country made:  
 A - Year (first digit)  
 B - Year (second digit)  
 C - Lot number (sequential)


Date code (YYWW)

Mark 2) Mark 1)

Relay-Typ	Mark 1)	Mark 2)	PN (GR)	PN (JR)	PN (TS)	PN (KS/NS)
IM00..	00	1.5	3-1462037-7		3-1462037-5	
IM00NS	00N	1.5				1-1462038-0*
IM01..	01	3	1462037-1	4-1462037-0	1462037-4	
IM01B..	01B	3	4-1462039-5			
IM01C..	01C	3	1462038-4			
IM01NS	01N	3				1-1462038-1
IM01N..L	01N	3				4-1462039-3
IM01P	01P	3	9-1462037-3			
IM02..	02	4.5	1462037-9	1-1462037-1	1-1462037-3	6-1462039-4
IM02..	02	4.5	8-1462039-1			
IM02..L	02	4.5	2-1462039-3			
IM02C..	02C	4.5	1462038-1			
IM02D..	02D	4.5	9-1462038-8			
IM02H..	02H	4.5	1-1462039-1			
IM02I..	02I	4.5	1462047-9	1462047-8		
IM02NS	02N	4.5				1-1462038-2

\*obsolete

DRAWING ALIAS: IM0C-DOK17

DIMENSIONS: mm	DWN HD 9121	21FEB2003	MATERIAL	-	FINISH	-
	CHK HD 9121	21FEB2003	 TE Connectivity			
TOLERANCES UNLESS OTHERWISE SPECIFIED: DIN 7168-m	APVD HD 9121	21FEB2003				
	PRODUCT SPEC	-	SIZE	CAGE CODE	DRAWING NO	RESTRICTED TO
0 PLC ±-	1 PLC ±-	2 PLC ±-	3 PLC ±-	4 PLC ±-	ANGLES ±-	
WEIGHT			A 4	00779	© = 1462037-1	-
CUSTOMER DRAWING			SCALE	10:1	SHEET 1 OF 6	REV C2

2000

RELEASED FOR PUBLICATION

THIS DRAWING IS UNPUBLISHED.

ALL RIGHTS RESERVED.


© COPYRIGHT 2000

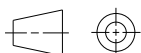
LOC	DIST	REVISIONS					
HJ	-	P	LTR	DESCRIPTION	DATE	DWN	APVD
		-		SEE SHEET 1	-	-	-

Relay-Typ	Mark 1)	Mark 2)	PN (GR)	PN (JR)	PN (TS)	PN (KS/NS)
IM02NS..L	02N	4.5				2-1462039-4
IM02PNS	02P	4.5				5-1462039-8
IM03..	03	5	1-1462037-4	1-1462037-6	1-1462037-8	
IM03..L	03	5	2-1462039-5			
IM03..X	03	5	8-1462039-6			
IM03C..	03C	5	1462038-2		4-1462039-7	
IM03D..	03D	5	9-1462038-9	3-1462039-3	8-1462039-3	
IM03I..	03I	5		1472047-6		
IM03NS	03N	5				1-1462038-3
IM03P..	03P	5	5-1462039-5			
IM03PNS	03P	5				5-1462039-9
IM04..	04	6	4-1462037-2	4-1462037-4	4-1462037-1	
IM04B..	04B	6	6-1462039-5			
IM04NS	04N	6				1-1462038-4
IM05..	05	9	3-1462037-4	4-1462037-5	2-1462037-2	
IM05B..	05B	9	5-1462039-3			
IM05C..	05C	9	1462038-3			
IM05D..	05D	9	1-1462039-7			
IM05NS	05N	9				1-1462038-5
IM06..	06	12	2-1462037-3	4-1462037-6	2-1462037-7	
IM06C..	06C	12	9-1462037-9	3-1462039-4	4-1462037-9	
IM06D..	06D	12	1-1462039-8	7-1462039-0	3-1462039-8	
IM06NS	06N	12				1-1462038-6
IM06P..	06P	12	5-1462039-6			
IM06PNS	06P	12				6-1462039-0
IM07..	07	24	4-1462037-7	4-1462037-8	3-1462037-0	

\*obsolete

DRAWING ALIAS: IM0C-DOK17

DIMENSIONS:		DWN	21FEB2003	MATERIAL	FINISH				
mm		HD 9121		-					
TOLERANCES UNLESS OTHERWISE SPECIFIED: DIN 7168-m		CHK	21FEB2003	 TE Connectivity					
		HD 9121							
0 PLC ±- 1 PLC ±- 2 PLC ±- 3 PLC ±- 4 PLC ±- ANGLES ±-		APVD	21FEB2003	NAME IM-Relay Marking					
		HD 9121							
		PRODUCT SPEC		SIZE	CAGE CODE	DRAWING NO	RESTRICTED TO		
				A 4	00779	©= 1462037-1	-		
		APPLICATION SPEC		CUSTOMER DRAWING			SCALE 10:1	SHEET 2 OF 6	REV C 2
		WEIGHT							




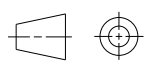
2000  
 RELEASED FOR PUBLICATION  
 ALL RIGHTS RESERVED.  
 THIS DRAWING IS UNPUBLISHED.  
 © COPYRIGHT 2000

LOC HJ	DIST -	REVISIONS					
		P	LTR	DESCRIPTION	DATE	DWN	APVD
			-	SEE SHEET 1	-	-	-

Relay-Typ	Mark 1)	Mark 2)	PN (GR)	PN (JR)	PN (TS)	PN (KS/NS)
IM07C..	07C	24	1462039-2		1462039-1	
IM07D..	07D	24		7-1462039-4	7-1462039-2	
IM07NS	07N	24				1-1462038-7
IM08I..	08I	2.4			1462047-3	
IM11..	11	3	9-1462038-5			
IM12..	12	4.5	1462039-3			
IM13..	13	5	1462039-4			
IM15..	15	9	8-1462039-5			
IM16..	16	12	1462039-5			
IM17..	17	24	1462039-6		4-1462039-6	
IM21..	21	3	2-1462039-6		1-1462039-5	
IM22..	22	4.5	2-1462039-7		2-1462039-8	8-1462039-9
IM23..	23	5	2-1462039-9		3-1462039-0	6-1462039-7
IM25..	25	9	3-1462039-5			
IM26..	26	12	3-1462039-1		3-1462039-2	
IM40..	40	1.5	5-1462037-1			
IM40D..	40D	1.5	8-1462039-4			
IM40NS	40N	1.5				1-1462038-8
IM41..	41	3	5-1462037-4	5-1462037-5	5-1462037-3	
IM41C..	41C	3	4-1462039-2			
IM41D..	41D	3	6-1462039-8			
IM41NS	41N	3				1-1462038-9
IM42..	42	4.5	3-1462037-1	5-1462037-7	5-1462037-6	
IM42C..	42C	4.5	4-1462039-1			
IM42D..	42D	4.5	1-1462039-9			

\*obsolete

DRAWING ALIAS: IM0C-DOK17

DIMENSIONS: mm	DWN HD 9121 21FEB2003	MATERIAL -	FINISH -
TOLERANCES UNLESS OTHERWISE SPECIFIED: DIN 7168-m	CHK HD 9121 21FEB2003	 TE Connectivity	
	APVD HD 9121 21FEB2003		
	PRODUCT SPEC -	NAME IM-Relay Marking	
	APPLICATION SPEC -	SIZE A 4	CAGE CODE 00779
0 PLC ±- 1 PLC ±- 2 PLC ±- 3 PLC ±- 4 PLC ±- ANGLES ±-	WEIGHT -	RESTRICTED TO -	
	CUSTOMER DRAWING		SCALE 10:1 SHEET 3 OF 6 REV C2

2000

RELEASED FOR PUBLICATION

ALL RIGHTS RESERVED.

© COPYRIGHT 2000


THIS DRAWING IS UNPUBLISHED.

LOC HJ	DIST -	REVISIONS					
		P	LTR	DESCRIPTION	DATE	DWN	APVD
			-	SEE SHEET 1	-	-	-

Relay-Typ	Mark 1)	Mark 2)	PN (GR)	PN (JR)	PN (TS)	PN (KS/NS)
IM42DNS	42D	4.5				1-1462039-6
IM42NS	42N	4.5				2-1462038-0
IM42P..	42P	4.5	5-1462039-7			
IM42PNS	42P	4.5				7-1462039-8
IM43..	43	5	5-1462037-9	6-1462037-0	5-1462037-8	
IM43C..	43C	5	9-1462038-7			
IM43NS	43N	5				2-1462038-1
IM44..	44	6	6-1462037-2	6-1462037-3	6-1462037-1	
IM44NS	44N	6				2-1462038-2
IM45..	45	9	6-1462037-4	6-1462037-5	3-1462037-2	
IM45I..	45I	9	1462047-5			
IM45NS	45	9				2-1462038-3
IM46..	46	12	6-1462037-7	6-1462037-8	6-1462037-6	
IM46C..	46C	12	8-1462039-0			
IM46NS	46N	12				2-1462038-4
IM46PNS	46P	12				6-1462039-1
IM47..	47	24	7-1462037-0		6-1462037-9	
IM47D..	47D	24		7-1462039-5		
IM47NS	47N	24				2-1462038-5
IM48..	48	2.4	1462039-8			
IM48D..	48D	2.4	1462039-9			
IM48C..	48C	2,4	9-1462039-0			
IM48I..	48I	2.4	1462047-1			
IM49I..	49I	2	1462047-4			

\*obsolete

DRAWING ALIAS: IM0C-DOK17

DIMENSIONS: mm	DWN HD 9121 21FEB2003	MATERIAL -	FINISH -
TOLERANCES UNLESS OTHERWISE SPECIFIED: DIN 7168-m	CHK HD 9121 21FEB2003	 TE Connectivity	
	APVD HD 9121 21FEB2003		
0 PLC ±-	PRODUCT SPEC	NAME IM-Relay Marking	
1 PLC ±-	-		
2 PLC ±-	APPLICATION SPEC	SIZE	RESTRICTED TO
3 PLC ±-	-	CAGE CODE	-
4 PLC ±-	-	DRAWING NO	
ANGLES ±-	WEIGHT	©	
	-	A 4 00779	
		©= 1462037-1	
CUSTOMER DRAWING		SCALE 10:1	SHEET 4 OF 6 REV C 2

2000

RELEASED FOR PUBLICATION

ALL RIGHTS RESERVED.

© COPYRIGHT 2000


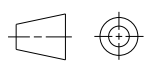
THIS DRAWING IS UNPUBLISHED.

LOC HJ	DIST -	REVISIONS					
		P	LTR	DESCRIPTION	DATE	DWN	APVD
			-	SEE SHEET 1	-	-	-

Relay-Typ	Mark 1)	Mark 2)	PN (GR)	PN (JR)	PN (TS)	PN (KS/NS)
IM61..	61	3	7-1462039-7			
IM68..	68	2.4	8-1462039-2			
IMB01C ..	B01C	3	1462041-1		1462041-4	
IMB02C ..	B02C	4.5	1462041-2			
IMB03C ..	B03C	5	1462041-7			
IMB03C ..E	B03C	5	1-1462041-8			
IMB04C ..	B04C	6	1462041-9		1-1462041-1	
IMB05C ..	B05C	9	1-1462041-0		1-1462041-2	
IMB06C ..	B06C	12	1462041-3		1462041-6	
IMB07C ..	B07C	24	1-1462041-3		1-1462041-4	
IMB32B..	B32B	4.5	2-1462041-0			
IMB33B..	B33B	5	1-1462041-9			
IMB41C ..	B41C	3	1-1462041-7			
IMB42C ..	B42C	4.5	1-1462041-6		1-1462041-5	

\*obsolete

DRAWING ALIAS: IM0C-DOK17

DIMENSIONS: mm		DWN HD 9121 21FEB2003	MATERIAL -	FINISH -	
TOLERANCES UNLESS OTHERWISE SPECIFIED: DIN 7168-m		CHK HD 9121 21FEB2003	 TE Connectivity		
		APVD HD 9121 21FEB2003			
0 PLC ±-		PRODUCT SPEC	NAME IM-Relay Marking		
1 PLC ±-		-			
2 PLC ±-		APPLICATION SPEC	SIZE	CAGE CODE	DRAWING NO
3 PLC ±-		-	A 4	00779	©- 1462037-1
4 PLC ±-					RESTRICTED TO
ANGLES ±-		WEIGHT			-
		CUSTOMER DRAWING		SCALE 10:1	SHEET 5 OF 6
					REV C 2


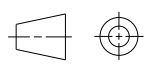
2000  
 RELEASED FOR PUBLICATION  
 ALL RIGHTS RESERVED.  
 COPYRIGHT 2000

LOC HJ	DIST -	REVISIONS					
		P	LTR	DESCRIPTION	DATE	DWN	APVD
			-	SEE SHEET 1	-	-	-

Relay-Typ	Mark 1)	Mark 2)	PN (GR)	PN (JR)	PN (TS)	PN (KS/NS)
IMC01..	C01	3	1462042-1		1462042-4	
IMC02..	C02	4.5	1462042-2		1462042-5	
IMC03..	C03	5	1462042-8		1462042-7	
IMC06..	C06	12	1462042-3		1462042-6	
IMC07..	C07	24	1-1462042-1		1-1462042-2	
IMC02C..	C02C	4.5	1-1462042-0			
IMC03C..	C03C	5	1-1462042-5			
IMC06C..	C06C	12	1462042-9		1-1462042-4	
IMC41C..	C41C	3			1-1462042-3	
IME01..	E01	3	1462043-1		1462043-5	
IME02..	E02	4.5	1462043-2		1462043-6	
IME03..	E03	5	1462043-3		1462043-7	
IME06..	E06	12	1462043-4		1462043-8	
IMF61..	F61	3	1462048-3			
IMF68..	F68	2.4	1-1462048-0			

\*obsolete

DRAWING ALIAS: IM0C-DOK17

DIMENSIONS: mm		DWN HD 9121	21FEB2003	MATERIAL	FINISH	
TOLERANCES UNLESS OTHERWISE SPECIFIED: DIN 7168-m		CHK HD 9121	21FEB2003	 TE Connectivity		
		APVD HD 9121	21FEB2003			
0 PLC ±-		PRODUCT SPEC		NAME		
1 PLC ±-		-		IM-Relay Marking		
2 PLC ±-		APPLICATION SPEC		SIZE	CAGE CODE	DRAWING NO
3 PLC ±-		-		A 4	00779	© = 1462037-1
4 PLC ±-		WEIGHT		RESTRICTED TO		
ANGLES ±-		-		-		
		CUSTOMER DRAWING		SCALE	SHEET	REV
				10:1	6 OF 6	C 2

2000

RELEASED FOR PUBLICATION

ALL RIGHTS RESERVED.

© COPYRIGHT 2000

THIS DRAWING IS UNPUBLISHED.

## X-ON Electronics

Largest Supplier of Electrical and Electronic Components

*Click to view similar products for [High Frequency / RF Relays](#) category:*

*Click to view products by [TE Connectivity](#) manufacturer:*

Other Similar products are found below :

[134M4-26](#) [134YZM4-12](#) [136CM9-5](#) [ER136CZM9-5B](#) [ER412DYM-12B](#) [ARA200A4HM01](#) [3SBH1020A2](#) [400-192-10](#) [412TM-18](#)  
[ARN12A12](#) [422DM-26](#) [411T-12](#) [LB363-100-5](#) [D3210](#) [ARN10A12](#) [ER116C-26A](#) [ER114ZM4-5A/SQ](#) [ER114ZM4-12A/SQ](#) [ER412-26B/Q](#)  
[ER134DYZ-12A](#) [36 AT5](#) [25-200ZA](#) [36 T5](#) [48-000ZA](#) [27 T5](#) [24-200ZA](#) [27 T5](#) [26-200ZA](#) [27 T5](#) [28-200ZA](#) [ER411DM4-12A/SQ](#)  
[732-5/Q](#) [R591362640](#) [R591723400](#) [R595867120](#) [HF3 02](#) [R594873417](#) [R595863115](#) [IM43TS](#) [IMB03CTS](#) [IM05CGR](#) [IM02CGR](#) [IM21TS](#)  
[732TN-26](#) [1-1462038-1](#) [IMB06CTS](#) [1462041-3](#) [1462051-5](#) [1462050-1](#) [1462050-2](#) [G6K-2F-RF-S-DC5](#) [ARE10A4H](#) [ARE1024](#) [ARS1012](#)  
[ARS1024](#)