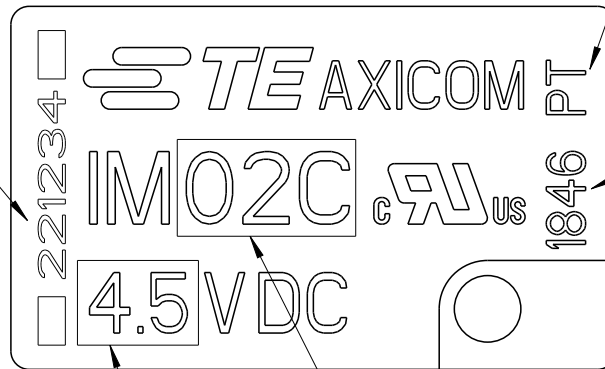


| LOC | DIST | REVISIONS |     |  |           |     |      |
|-----|------|-----------|-----|--|-----------|-----|------|
|     |      | P         | LTR | DESCRIPTION                                    | DATE      | DWN | APVD |
| HJ  | -    |           | B14 | ECR-12-021486 (Marking C to Q)                 | 20DEC2012 | UKo | JB   |
|     |      |           | C   | ECR-13-014508                                  | 13OCT2015 | UKo | Ak   |
|     |      |           | C1  | ECR-14-007162                                  | 21SET2017 | AP  | AK   |
|     |      |           | C2  | ECR-18-017686 (Add prod. site; PN List update) | 07MAY2019 | HC  | LS   |

H Swiss made (until 2013)  
 PT Portugal made  
 Q China made (until 2016)  
 C China made (until 2012)  
 AT Austria made



Order Number - ABCCCC  
 Portugal made:  
 A - Packing day  
 B - Shift (1=day, 2=night)  
 C - Lot number (sequential)  
 Austria Made:  
 A - Line (1...Line1)  
 B - Day (1...7, Monday=1, Tuesday=2)  
 C - Time(hhmm)  
 Other country made:  
 A - Year (first digit)  
 B - Year (second digit)  
 C - Lot number (sequential)


Date code (YYWW)

Mark 2) Mark 1)

| Relay-Typ | Mark 1) | Mark 2) | PN (GR)     | PN (JR)     | PN (TS)     | PN (KS/NS)   |
|-----------|---------|---------|-------------|-------------|-------------|--------------|
| IM00..    | 00      | 1.5     | 3-1462037-7 |             | 3-1462037-5 |              |
| IM00NS    | 00N     | 1.5     |             |             |             | 1-1462038-0* |
| IM01..    | 01      | 3       | 1462037-1   | 4-1462037-0 | 1462037-4   |              |
| IM01B..   | 01B     | 3       | 4-1462039-5 |             |             |              |
| IM01C..   | 01C     | 3       | 1462038-4   |             |             |              |
| IM01NS    | 01N     | 3       |             |             |             | 1-1462038-1  |
| IM01N..L  | 01N     | 3       |             |             |             | 4-1462039-3  |
| IM01P     | 01P     | 3       | 9-1462037-3 |             |             |              |
| IM02..    | 02      | 4.5     | 1462037-9   | 1-1462037-1 | 1-1462037-3 | 6-1462039-4  |
| IM02..    | 02      | 4.5     | 8-1462039-1 |             |             |              |
| IM02..L   | 02      | 4.5     | 2-1462039-3 |             |             |              |
| IM02C..   | 02C     | 4.5     | 1462038-1   |             |             |              |
| IM02D..   | 02D     | 4.5     | 9-1462038-8 |             |             |              |
| IM02H..   | 02H     | 4.5     | 1-1462039-1 |             |             |              |
| IM02I..   | 02I     | 4.5     | 1462047-9   | 1462047-8   |             |              |
| IM02NS    | 02N     | 4.5     |             |             |             | 1-1462038-2  |

\*obsolete

DRAWING ALIAS: IM0C-DOK17

|  |                 |           |  |           |               |               |
|--|-----------------|-----------|--|-----------|---------------|---------------|
| DIMENSIONS:<br>mm                                    | DWN<br>HD 9121  | 21FEB2003 | MATERIAL   | -         | FINISH        | -             |
|  | CHK<br>HD 9121  | 21FEB2003 |  TE Connectivity |           |               |               |
| TOLERANCES UNLESS OTHERWISE SPECIFIED:<br>DIN 7168-m | APVD<br>HD 9121 | 21FEB2003 |  |           |               |               |
|  | PRODUCT SPEC    | -         | SIZE   | CAGE CODE | DRAWING NO    | RESTRICTED TO |
| 0 PLC ±-   | 1 PLC ±-        | 2 PLC ±-  | 3 PLC ±-   | 4 PLC ±-  | ANGLES ±-     |               |
| WEIGHT   |                 |           | A 4  | 00779     | C = 1462037-1 | -             |
| CUSTOMER DRAWING                                     |                 |           | SCALE  | 10:1      | SHEET         | 1 OF 6        |
|  |                 |           |  |           | REV           | C 2           |

2000

RELEASED FOR PUBLICATION

THIS DRAWING IS UNPUBLISHED.

ALL RIGHTS RESERVED.


© COPYRIGHT 2000

|     |      |           |     |             |      |     |      |
|-----|------|-----------|-----|-------------|------|-----|------|
| LOC | DIST | REVISIONS |     |             |      |     |      |
| HJ  | -    | P         | LTR | DESCRIPTION | DATE | DWN | APVD |
|     |      |           | -   | SEE SHEET 1 | -    | -   | -    |
|     |      |           |     |             |      |     |      |
|     |      |           |     |             |      |     |      |

| Relay-Typ | Mark 1) | Mark 2) | PN (GR)     | PN (JR)     | PN (TS)     | PN (KS/NS)  |
|-----------|---------|---------|-------------|-------------|-------------|-------------|
| IM02NS..L | 02N     | 4.5     |             |             |             | 2-1462039-4 |
| IM02PNS   | 02P     | 4.5     |             |             |             | 5-1462039-8 |
| IM03..    | 03      | 5       | 1-1462037-4 | 1-1462037-6 | 1-1462037-8 |             |
| IM03..L   | 03      | 5       | 2-1462039-5 |             |             |             |
| IM03..X   | 03      | 5       | 8-1462039-6 |             |             |             |
| IM03C..   | 03C     | 5       | 1462038-2   |             | 4-1462039-7 |             |
| IM03D..   | 03D     | 5       | 9-1462038-9 | 3-1462039-3 | 8-1462039-3 |             |
| IM03I..   | 03I     | 5       |             | 1472047-6   |             |             |
| IM03NS    | 03N     | 5       |             |             |             | 1-1462038-3 |
| IM03P..   | 03P     | 5       | 5-1462039-5 |             |             |             |
| IM03PNS   | 03P     | 5       |             |             |             | 5-1462039-9 |
| IM04..    | 04      | 6       | 4-1462037-2 | 4-1462037-4 | 4-1462037-1 |             |
| IM04B..   | 04B     | 6       | 6-1462039-5 |             |             |             |
| IM04NS    | 04N     | 6       |             |             |             | 1-1462038-4 |
| IM05..    | 05      | 9       | 3-1462037-4 | 4-1462037-5 | 2-1462037-2 |             |
| IM05B..   | 05B     | 9       | 5-1462039-3 |             |             |             |
| IM05C..   | 05C     | 9       | 1462038-3   |             |             |             |
| IM05D..   | 05D     | 9       | 1-1462039-7 |             |             |             |
| IM05NS    | 05N     | 9       |             |             |             | 1-1462038-5 |
| IM06..    | 06      | 12      | 2-1462037-3 | 4-1462037-6 | 2-1462037-7 |             |
| IM06C..   | 06C     | 12      | 9-1462037-9 | 3-1462039-4 | 4-1462037-9 |             |
| IM06D..   | 06D     | 12      | 1-1462039-8 | 7-1462039-0 | 3-1462039-8 |             |
| IM06NS    | 06N     | 12      |             |             |             | 1-1462038-6 |
| IM06P..   | 06P     | 12      | 5-1462039-6 |             |             |             |
| IM06PNS   | 06P     | 12      |             |             |             | 6-1462039-0 |
| IM07..    | 07      | 24      | 4-1462037-7 | 4-1462037-8 | 3-1462037-0 |             |

\*obsolete

DRAWING ALIAS: IM0C-DOK17

|   |                              |  |               |
|---|------------------------------|--|---------------|
| DIMENSIONS:<br>mm   | DWN<br>HD 9121<br>21FEB2003  | MATERIAL   | FINISH        |
| TOLERANCES UNLESS OTHERWISE SPECIFIED:<br>DIN 7168-m                  | CHK<br>HD 9121<br>21FEB2003  |  TE Connectivity |               |
| 0 PLC ±-<br>1 PLC ±-<br>2 PLC ±-<br>3 PLC ±-<br>4 PLC ±-<br>ANGLES ±- | APVD<br>HD 9121<br>21FEB2003 |  |               |
|   | PRODUCT SPEC                 | NAME<br>IM-Relay<br>Marking  |               |
|   | APPLICATION SPEC             | SIZE   | CAGE CODE     |
|   | WEIGHT                       | DRAWING NO   | RESTRICTED TO |
|   |                              | A 4  | 00779         |
|   |                              | C= 1462037-1   |               |
| CUSTOMER DRAWING  |                              | SCALE  | SHEET         |
|   |                              | 10:1   | 2 OF 6        |
|   |                              |  | REV C 2       |

2000

RELEASED FOR PUBLICATION

ALL RIGHTS RESERVED.

THIS DRAWING IS UNPUBLISHED.


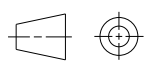
© COPYRIGHT 2000

|     |      |           |     |             |      |     |      |
|-----|------|-----------|-----|-------------|------|-----|------|
| LOC | DIST | REVISIONS |     |             |      |     |      |
| HJ  | -    | P         | LTR | DESCRIPTION | DATE | DWN | APVD |
|     |      |           | -   | SEE SHEET 1 | -    | -   | -    |
|     |      |           |     |             |      |     |      |
|     |      |           |     |             |      |     |      |

| Relay-Typ | Mark 1) | Mark 2) | PN (GR)     | PN (JR)     | PN (TS)     | PN (KS/NS)  |
|-----------|---------|---------|-------------|-------------|-------------|-------------|
| IM07C..   | 07C     | 24      | 1462039-2   |             | 1462039-1   |             |
| IM07D..   | 07D     | 24      |             | 7-1462039-4 | 7-1462039-2 |             |
| IM07NS    | 07N     | 24      |             |             |             | 1-1462038-7 |
| IM08I..   | 08I     | 2.4     |             |             | 1462047-3   |             |
| IM11..    | 11      | 3       | 9-1462038-5 |             |             |             |
| IM12..    | 12      | 4.5     | 1462039-3   |             |             |             |
| IM13..    | 13      | 5       | 1462039-4   |             |             |             |
| IM15..    | 15      | 9       | 8-1462039-5 |             |             |             |
| IM16..    | 16      | 12      | 1462039-5   |             |             |             |
| IM17..    | 17      | 24      | 1462039-6   |             | 4-1462039-6 |             |
| IM21..    | 21      | 3       | 2-1462039-6 |             | 1-1462039-5 |             |
| IM22..    | 22      | 4.5     | 2-1462039-7 |             | 2-1462039-8 | 8-1462039-9 |
| IM23..    | 23      | 5       | 2-1462039-9 |             | 3-1462039-0 | 6-1462039-7 |
| IM25..    | 25      | 9       | 3-1462039-5 |             |             |             |
| IM26..    | 26      | 12      | 3-1462039-1 |             | 3-1462039-2 |             |
| IM40..    | 40      | 1.5     | 5-1462037-1 |             |             |             |
| IM40D..   | 40D     | 1.5     | 8-1462039-4 |             |             |             |
| IM40NS    | 40N     | 1.5     |             |             |             | 1-1462038-8 |
| IM41..    | 41      | 3       | 5-1462037-4 | 5-1462037-5 | 5-1462037-3 |             |
| IM41C..   | 41C     | 3       | 4-1462039-2 |             |             |             |
| IM41D..   | 41D     | 3       | 6-1462039-8 |             |             |             |
| IM41NS    | 41N     | 3       |             |             |             | 1-1462038-9 |
| IM42..    | 42      | 4.5     | 3-1462037-1 | 5-1462037-7 | 5-1462037-6 |             |
| IM42C..   | 42C     | 4.5     | 4-1462039-1 |             |             |             |
| IM42D..   | 42D     | 4.5     | 1-1462039-9 |             |             |             |

\*obsolete

DRAWING ALIAS: IM0C-DOK17

|  |  |                              |  |               |
|--|--|------------------------------|--|---------------|
| DIMENSIONS:<br>mm  |  | DWN<br>HD 9121<br>21FEB2003  | MATERIAL   | FINISH        |
| TOLERANCES UNLESS OTHERWISE SPECIFIED:<br>DIN 7168-m                               |  | CHK<br>HD 9121<br>21FEB2003  |  TE Connectivity |               |
|  |  | APVD<br>HD 9121<br>21FEB2003 |  |               |
| 0 PLC ±-   |  | PRODUCT SPEC                 | NAME<br>IM-Relay<br>Marking  |               |
| 1 PLC ±-   |  | -                            |  |               |
| 2 PLC ±-   |  | APPLICATION SPEC             | SIZE   | CAGE CODE     |
| 3 PLC ±-   |  | -                            | A 4  | 00779         |
| 4 PLC ±-   |  |                              | DRAWING NO   | RESTRICTED TO |
| ANGLES ±-  |  |                              | © = 1462037-1  | -             |
|  |  | WEIGHT                       | CUSTOMER DRAWING   |               |
|  |  | -                            | SCALE  | SHEET         |
|  |  |                              | 10:1   | 3 OF 6        |
|  |  |                              |  | REV C 2       |

2000

RELEASED FOR PUBLICATION

ALL RIGHTS RESERVED.

© COPYRIGHT 2000


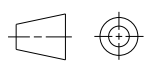
THIS DRAWING IS UNPUBLISHED.

|           |           |           |     |             |      |     |      |
|-----------|-----------|-----------|-----|-------------|------|-----|------|
| LOC<br>HJ | DIST<br>- | REVISIONS |     |             |      |     |      |
|           |           | P         | LTR | DESCRIPTION | DATE | DWN | APVD |
|           |           |           | -   | SEE SHEET 1 | -    | -   | -    |
|           |           |           |     |             |      |     |      |
|           |           |           |     |             |      |     |      |

| Relay-Typ | Mark 1) | Mark 2) | PN (GR)     | PN (JR)     | PN (TS)     | PN (KS/NS)  |
|-----------|---------|---------|-------------|-------------|-------------|-------------|
| IM42DNS   | 42D     | 4.5     |             |             |             | 1-1462039-6 |
| IM42NS    | 42N     | 4.5     |             |             |             | 2-1462038-0 |
| IM42P..   | 42P     | 4.5     | 5-1462039-7 |             |             |             |
| IM42PNS   | 42P     | 4.5     |             |             |             | 7-1462039-8 |
| IM43..    | 43      | 5       | 5-1462037-9 | 6-1462037-0 | 5-1462037-8 |             |
| IM43C..   | 43C     | 5       | 9-1462038-7 |             |             |             |
| IM43NS    | 43N     | 5       |             |             |             | 2-1462038-1 |
| IM44..    | 44      | 6       | 6-1462037-2 | 6-1462037-3 | 6-1462037-1 |             |
| IM44NS    | 44N     | 6       |             |             |             | 2-1462038-2 |
| IM45..    | 45      | 9       | 6-1462037-4 | 6-1462037-5 | 3-1462037-2 |             |
| IM45I..   | 45I     | 9       | 1462047-5   |             |             |             |
| IM45NS    | 45      | 9       |             |             |             | 2-1462038-3 |
| IM46..    | 46      | 12      | 6-1462037-7 | 6-1462037-8 | 6-1462037-6 |             |
| IM46C..   | 46C     | 12      | 8-1462039-0 |             |             |             |
| IM46NS    | 46N     | 12      |             |             |             | 2-1462038-4 |
| IM46PNS   | 46P     | 12      |             |             |             | 6-1462039-1 |
| IM47..    | 47      | 24      | 7-1462037-0 |             | 6-1462037-9 |             |
| IM47D..   | 47D     | 24      |             | 7-1462039-5 |             |             |
| IM47NS    | 47N     | 24      |             |             |             | 2-1462038-5 |
| IM48..    | 48      | 2.4     | 1462039-8   |             |             |             |
| IM48D..   | 48D     | 2.4     | 1462039-9   |             |             |             |
| IM48C..   | 48C     | 2,4     | 9-1462039-0 |             |             |             |
| IM48I..   | 48I     | 2.4     | 1462047-1   |             |             |             |
| IM49I..   | 49I     | 2       | 1462047-4   |             |             |             |
|           |         |         |             |             |             |             |

\*obsolete

DRAWING ALIAS: IM0C-DOK17

|  |                              |  |                    |
|--|------------------------------|--|--------------------|
| DIMENSIONS:<br>mm  | DWN<br>HD 9121<br>21FEB2003  | MATERIAL<br>-  | FINISH<br>-        |
| TOLERANCES UNLESS OTHERWISE SPECIFIED:<br>DIN 7168-m                               | CHK<br>HD 9121<br>21FEB2003  |  TE Connectivity |                    |
|  | APVD<br>HD 9121<br>21FEB2003 |  |                    |
| 0 PLC ±-   | PRODUCT SPEC                 | NAME<br>IM-Relay Marking   |                    |
| 1 PLC ±-   | -                            | SIZE<br>A 4  | CAGE CODE<br>00779 |
| 2 PLC ±-   | APPLICATION SPEC             | DRAWING NO<br>C= 1462037-1   | RESTRICTED TO<br>- |
| 3 PLC ±-   | -                            |  |                    |
| 4 PLC ±-   | WEIGHT                       |  |                    |
| ANGLES ±-  | -                            |  |                    |
|  | CUSTOMER DRAWING             | SCALE<br>10:1  | SHEET<br>4 OF 6    |
|  |                              |  | REV<br>C 2         |

2000

RELEASED FOR PUBLICATION

ALL RIGHTS RESERVED.

© COPYRIGHT 2000


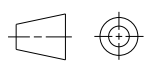
THIS DRAWING IS UNPUBLISHED.

|     |      |           |     |             |      |     |      |
|-----|------|-----------|-----|-------------|------|-----|------|
| LOC | DIST | REVISIONS |     |             |      |     |      |
| HJ  | -    | P         | LTR | DESCRIPTION | DATE | DWN | APVD |
|     |      | -         |     | SEE SHEET 1 | -    | -   | -    |
|     |      |           |     |             |      |     |      |
|     |      |           |     |             |      |     |      |

| Relay-Typ  | Mark 1) | Mark 2) | PN (GR)     | PN (JR) | PN (TS)     | PN (KS/NS) |
|------------|---------|---------|-------------|---------|-------------|------------|
| IM61..     | 61      | 3       | 7-1462039-7 |         |             |            |
| IM68..     | 68      | 2.4     | 8-1462039-2 |         |             |            |
|            |         |         |             |         |             |            |
|            |         |         |             |         |             |            |
| IMB01C ..  | B01C    | 3       | 1462041-1   |         | 1462041-4   |            |
| IMB02C ..  | B02C    | 4.5     | 1462041-2   |         |             |            |
| IMB03C ..  | B03C    | 5       | 1462041-7   |         |             |            |
| IMB03C ..E | B03C    | 5       | 1-1462041-8 |         |             |            |
| IMB04C ..  | B04C    | 6       | 1462041-9   |         | 1-1462041-1 |            |
| IMB05C ..  | B05C    | 9       | 1-1462041-0 |         | 1-1462041-2 |            |
| IMB06C ..  | B06C    | 12      | 1462041-3   |         | 1462041-6   |            |
| IMB07C ..  | B07C    | 24      | 1-1462041-3 |         | 1-1462041-4 |            |
|            |         |         |             |         |             |            |
| IMB32B..   | B32B    | 4.5     | 2-1462041-0 |         |             |            |
| IMB33B..   | B33B    | 5       | 1-1462041-9 |         |             |            |
| IMB41C ..  | B41C    | 3       | 1-1462041-7 |         |             |            |
| IMB42C ..  | B42C    | 4.5     | 1-1462041-6 |         | 1-1462041-5 |            |
|            |         |         |             |         |             |            |
|            |         |         |             |         |             |            |
|            |         |         |             |         |             |            |
|            |         |         |             |         |             |            |

\*obsolete

DRAWING ALIAS: IM0C-DOK17

|  |  |                              |  |             |               |
|--|--|------------------------------|--|-------------|---------------|
| DIMENSIONS:<br>mm  |  | DWN<br>HD 9121<br>21FEB2003  | MATERIAL<br>-  | FINISH<br>- |               |
| TOLERANCES UNLESS OTHERWISE SPECIFIED:<br>DIN 7168-m                               |  | CHK<br>HD 9121<br>21FEB2003  |  TE Connectivity |             |               |
|  |  | APVD<br>HD 9121<br>21FEB2003 |  |             |               |
| 0 PLC ±-   |  | PRODUCT SPEC                 | NAME<br>IM-Relay<br>Marking  |             |               |
| 1 PLC ±-   |  | -                            |  |             |               |
| 2 PLC ±-   |  | APPLICATION SPEC             | SIZE   | CAGE CODE   | DRAWING NO    |
| 3 PLC ±-   |  | -                            | A 4  | 00779       | © = 1462037-1 |
| 4 PLC ±-   |  | WEIGHT                       | RESTRICTED TO  |             |               |
| ANGLES ±-  |  | -                            | -  |             |               |
|  |  | CUSTOMER DRAWING             |  | SCALE 10:1  | SHEET 5 OF 6  |
|  |  |                              |  | REV C2      |               |


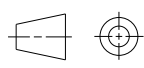
2000  
 RELEASED FOR PUBLICATION  
 ALL RIGHTS RESERVED.  
 COPYRIGHT 2000

|           |           |           |     |             |      |     |      |
|-----------|-----------|-----------|-----|-------------|------|-----|------|
| LOC<br>HJ | DIST<br>- | REVISIONS |     |             |      |     |      |
|           |           | P         | LTR | DESCRIPTION | DATE | DWN | APVD |
|           |           |           | -   | SEE SHEET 1 | -    | -   | -    |
|           |           |           |     |             |      |     |      |
|           |           |           |     |             |      |     |      |

| Relay-Typ | Mark 1) | Mark 2) | PN (GR)     | PN (JR) | PN (TS)     | PN (KS/NS) |
|-----------|---------|---------|-------------|---------|-------------|------------|
| IMC01..   | C01     | 3       | 1462042-1   |         | 1462042-4   |            |
| IMC02..   | C02     | 4.5     | 1462042-2   |         | 1462042-5   |            |
| IMC03..   | C03     | 5       | 1462042-8   |         | 1462042-7   |            |
| IMC06..   | C06     | 12      | 1462042-3   |         | 1462042-6   |            |
| IMC07..   | C07     | 24      | 1-1462042-1 |         | 1-1462042-2 |            |
|           |         |         |             |         |             |            |
| IMC02C..  | C02C    | 4.5     | 1-1462042-0 |         |             |            |
| IMC03C..  | C03C    | 5       | 1-1462042-5 |         |             |            |
| IMC06C..  | C06C    | 12      | 1462042-9   |         | 1-1462042-4 |            |
| IMC41C..  | C41C    | 3       |             |         | 1-1462042-3 |            |
|           |         |         |             |         |             |            |
|           |         |         |             |         |             |            |
|           |         |         |             |         |             |            |
| IME01..   | E01     | 3       | 1462043-1   |         | 1462043-5   |            |
| IME02..   | E02     | 4.5     | 1462043-2   |         | 1462043-6   |            |
| IME03..   | E03     | 5       | 1462043-3   |         | 1462043-7   |            |
| IME06..   | E06     | 12      | 1462043-4   |         | 1462043-8   |            |
|           |         |         |             |         |             |            |
| IMF61..   | F61     | 3       | 1462048-3   |         |             |            |
| IMF68..   | F68     | 2.4     | 1-1462048-0 |         |             |            |
|           |         |         |             |         |             |            |
|           |         |         |             |         |             |            |

\*obsolete

DRAWING ALIAS: IM0C-DOK17

|  |  |                  |           |  |           |              |               |
|--|--|------------------|-----------|--|-----------|--------------|---------------|
| DIMENSIONS:<br>mm  |  | DWN<br>HD 9121   | 21FEB2003 | MATERIAL   | -         | FINISH       | -             |
| TOLERANCES UNLESS OTHERWISE SPECIFIED:<br>DIN 7168-m                               |  | CHK<br>HD 9121   | 21FEB2003 |  TE Connectivity |           |              |               |
|  |  | APVD<br>HD 9121  | 21FEB2003 |  |           |              |               |
| 0 PLC ±-   |  | PRODUCT SPEC     |           | NAME   |           |              |               |
| 1 PLC ±-   |  | -                |           | IM-Relay Marking   |           |              |               |
| 2 PLC ±-   |  | APPLICATION SPEC |           | SIZE   | CAGE CODE | DRAWING NO   | RESTRICTED TO |
| 3 PLC ±-   |  | -                |           | A 4  | 00779     | ©= 1462037-1 | -             |
| 4 PLC ±-   |  | WEIGHT           |           |  |           |              |               |
| ANGLES ±-  |  | -                |           |  |           |              |               |
|  |  | CUSTOMER DRAWING |           | SCALE  | 10:1      | SHEET        | 6 OF 6        |
|  |  |                  |           |  |           | REV          | C 2           |

2000

RELEASED FOR PUBLICATION

ALL RIGHTS RESERVED.

© COPYRIGHT 2000

THIS DRAWING IS UNPUBLISHED.

## X-ON Electronics

Largest Supplier of Electrical and Electronic Components

*Click to view similar products for [High Frequency / RF Relays](#) category:*

*Click to view products by [TE Connectivity](#) manufacturer:*

Other Similar products are found below :

[134M4-26](#) [134YZM4-12](#) [136CM9-5](#) [ER136CZM9-5B](#) [ER412DYM-12B](#) [ARA200A4HM01](#) [3SBH1020A2](#) [400-192-10](#) [412TM-18](#)  
[ARN12A12](#) [422DM-26](#) [411T-12](#) [LB363-100-5](#) [D3210](#) [ARN10A12](#) [ER116C-26A](#) [ER114ZM4-5A/SQ](#) [ER114ZM4-12A/SQ](#) [ER412-26B/Q](#)  
[ER134DYZ-12A](#) [36 AT5](#) [25-200ZA](#) [36 T5](#) [48-000ZA](#) [27 T5](#) [24-200ZA](#) [27 T5](#) [26-200ZA](#) [27 T5](#) [28-200ZA](#) [ER411DM4-12A/SQ](#)  
[732-5/Q](#) [R591362640](#) [R591723400](#) [R595867120](#) [HF3 02](#) [R594873417](#) [R595863115](#) [IM43TS](#) [IMB03CTS](#) [IM05CGR](#) [IM02CGR](#) [IM21TS](#)  
[732TN-26](#) [1-1462038-1](#) [IMB06CTS](#) [1462041-3](#) [1462051-5](#) [1462050-1](#) [1462050-2](#) [G6K-2F-RF-S-DC5](#) [ARE10A4H](#) [ARE1024](#) [ARS1012](#)  
[ARS1024](#)