

REVISIONS

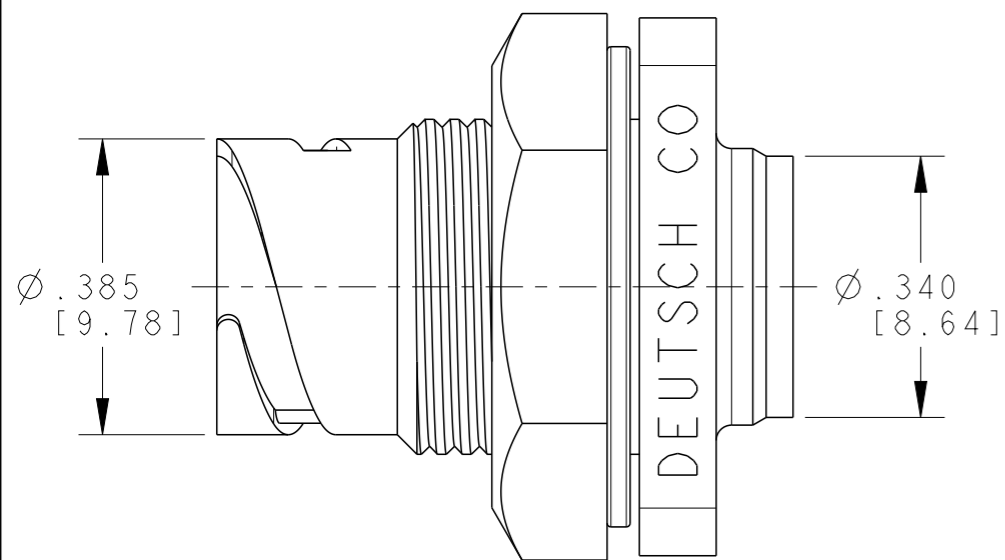
P	LTR	DESCRIPTION	DATE	DWN	APVD
	A	INITIAL RELEASE	24MAY2017	AP	PV

NOTES

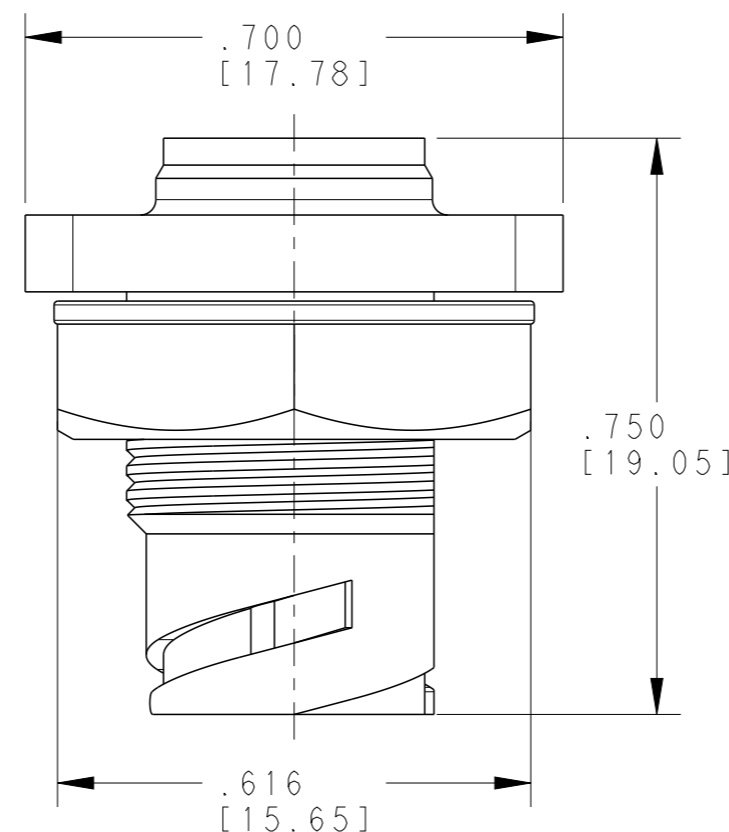
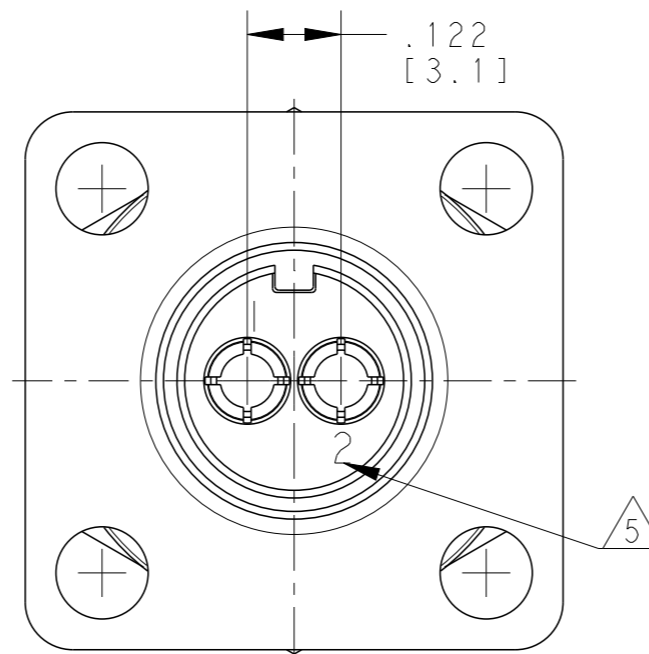
- 1. TE ORDER NUMBER
- 2. BULK PACKAGING IN CORRUGATED BOX.
- 3. INSERT ARRANGEMENT SEE PAGE 2.
- 4. PN SUFFIX "X" = SHIPPED WITH CONTACTS
- 5. CAVITY NUMBERING
- 6. SUITABLE COUNTERPART:

RECEPTACLE (FLANGE)	PLUG
IMC14-2002X	IMC16-2002X
IMC14-2003X	IMC16-2003X
IMC14-2204X	IMC16-2204X

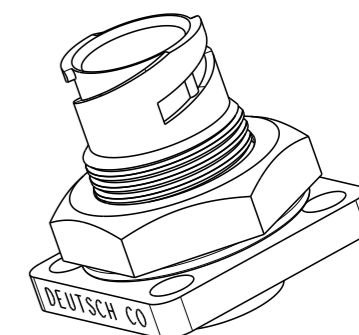
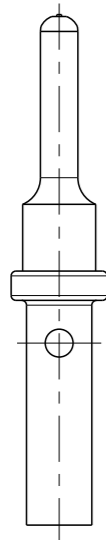
IMC14-2002X AS SHOWN:



SCALE 4:1



SUITABLE CONTACT:
 SIZE-20 (2X)
 6860-201-20278



SCALE 2:1

22	IMC 100-SERIES FLANGE RECEPTACLE 4 WAY	IMC14-2204X
20	IMC 100-SERIES FLANGE RECEPTACLE 3 WAY	IMC14-2003X
20	IMC 100-SERIES FLANGE RECEPTACLE 2 WAY	IMC14-2002X
PIN CONTACTS	DESCRIPTION	PART NO

THIS DRAWING IS A CONTROLLED DOCUMENT.

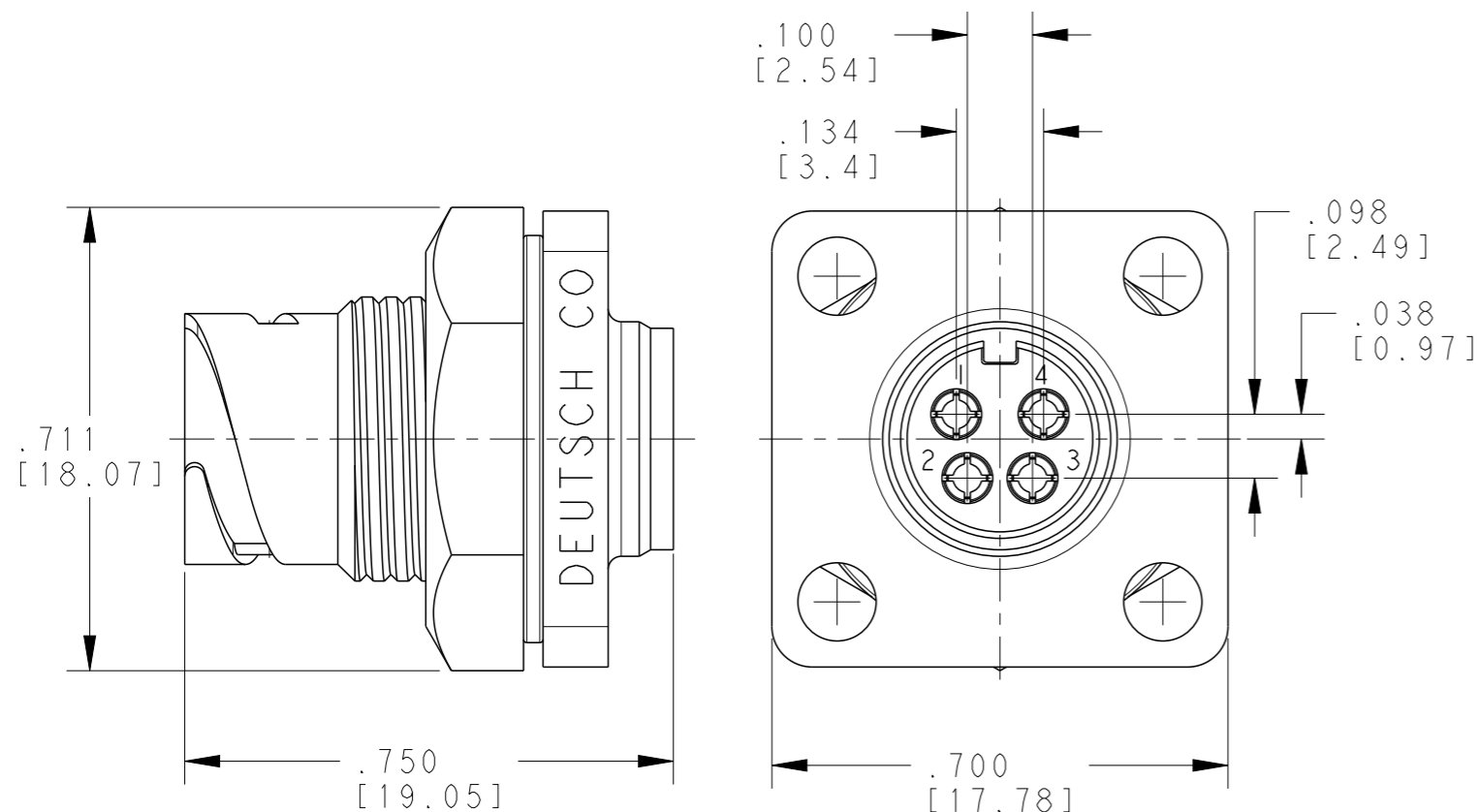
DWN	AJITH PAI	20MAY2017	 TE Connectivity	NAME IMC 100 SERIES RECEPTACLE FLANGE MOUNTING ASSY
CHK	PRAVEENA V	22MAY2017		
APVD	C FINZER	22MAY2017		
DIMENSIONS: in [mm]			PRODUCT SPEC	
TOLERANCES UNLESS OTHERWISE SPECIFIED:			APPLICATION SPEC	
0 PLC	±-		WEIGHT	4.6 g
1 PLC	±-		SIZE	A3
2 PLC	±-		CAGE CODE	-
3 PLC	±.25		DRAWING NO	IMC14-2XXXX
4 PLC	±-		RESTRICTED TO	-
ANGLES	±1°		SCALE	5:1
MATERIAL	FINISH		SHEET	1 OF 2
			REV	A

CUSTOMER DRAWING

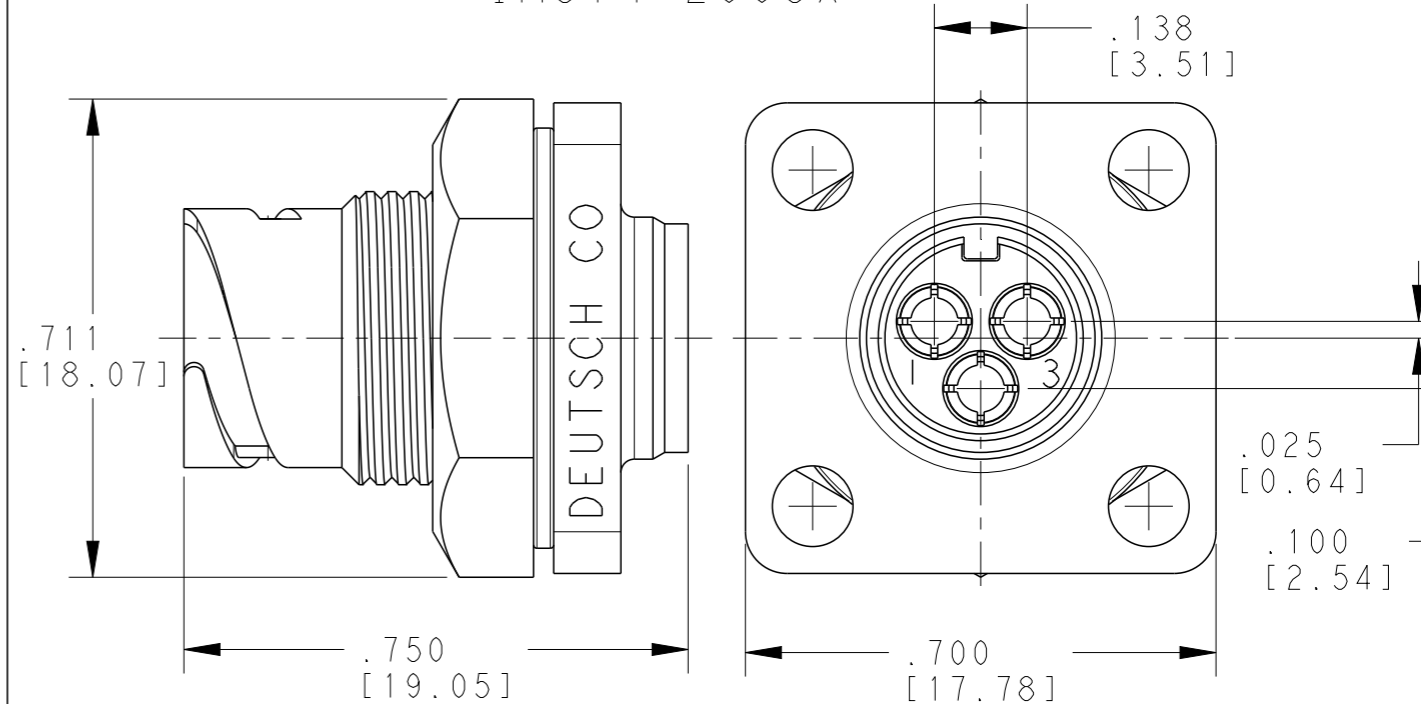
REVISIONS

P	LTR	DESCRIPTION	DATE	DWN	APVD
		SEE SHEET 1			

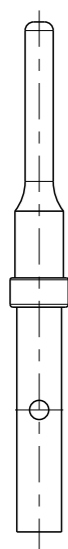
IMC14-2204X



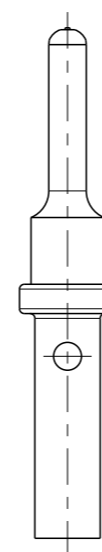
IMC14-2003X



SUITABLE CONTACT:
 SIZE-22, (4X)
 6860-201-22278



SUITABLE CONTACT:
 SIZE-20, (3X)
 6860-201-20278



THIS DRAWING IS A CONTROLLED DOCUMENT.

DWN 20MAY2017

AJITH PAI

CHK 22MAY2017

PRAVEENA V

APVD 22MAY2017

C FINZER

PRODUCT SPEC

APPLICATION SPEC

WEIGHT 4.6 g

CUSTOMER DRAWING



TE Connectivity

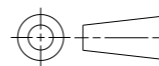
NAME
IMC 100 SERIES RECEPTACLE FLANGE
MOUNTING ASSY

SIZE CAGE CODE DRAWING NO RESTRICTED TO

A3 - C-IMC14-2XXXX -

SCALE 5:1 SHEET 2 OF 2 REV A

DIMENSIONS:
in [mm]



TOLERANCES UNLESS OTHERWISE SPECIFIED:

- 0 PLC ±-
- 1 PLC ±-
- 2 PLC ±-
- 3 PLC ±.25
- 4 PLC ±-
- ANGLES ±1°
- FINISH -

MATERIAL

FINISH

X-ON Electronics

Largest Supplier of Electrical and Electronic Components

Click to view similar products for [Bench Top Tools](#) category:

Click to view products by [TE Connectivity](#) manufacturer:

Other Similar products are found below :

[6-1372442-6](#) [63801-4462](#) [63801-4561](#) [63801-7269](#) [679527-1](#) [691667-1](#) [7-21000-9](#) [768539-1](#) [854130-1](#) [854946-2](#) [856203-1](#) [904449-1](#) [9-22280-9](#) [986096-2](#) [992438-3](#) [1-21000-3](#) [1-21000-1](#) [1-25022-4](#) [1302263353](#) [1302263355](#) [1302261057](#) [1302261101](#) [1302261206](#) [1302261560](#) [1302263123](#) [1302264036](#) [1424264-1](#) [1424267-1](#) [1428211-1](#) [1428287-1](#) [1-455755-6](#) [1752744-1](#) [18023-9](#) [189763-1](#) [1901726-1](#) [2079747-1](#) [21001-2](#) [2119083-1](#) [2119085-1](#) [2119371-1](#) [2161930-1](#) [2217088-2](#) [2217339-1](#) [2217347-1](#) [22281-9](#) [22374-7](#) [284565-000](#) [F1 Handle Spring](#) [19228-0213](#) [2030790-2](#)