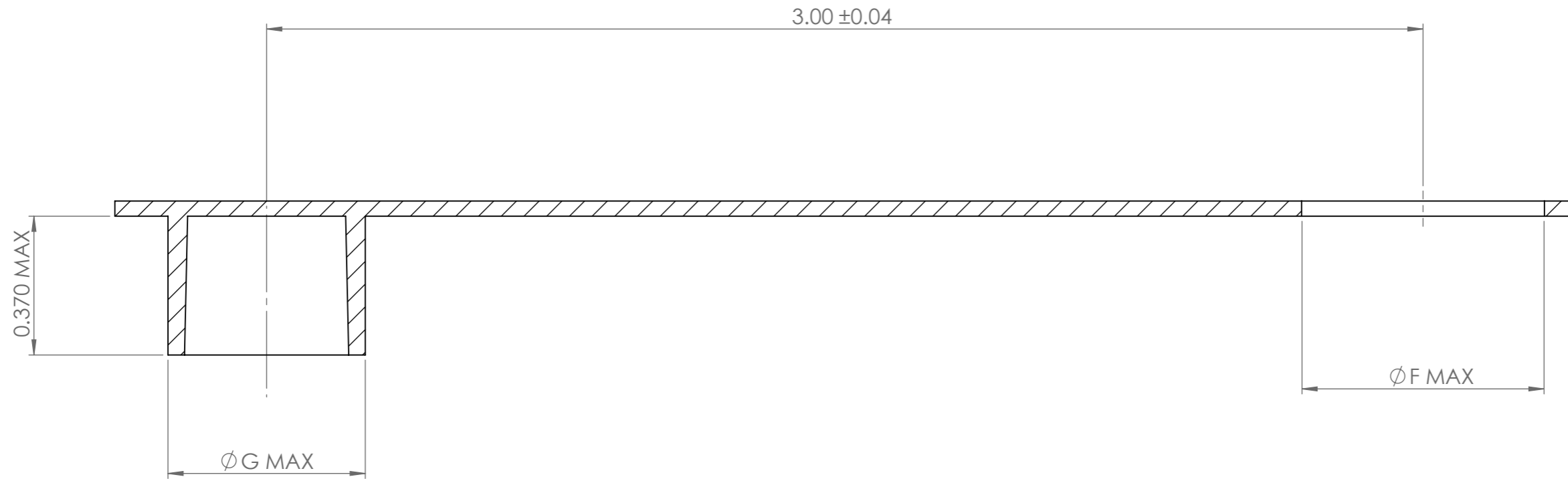
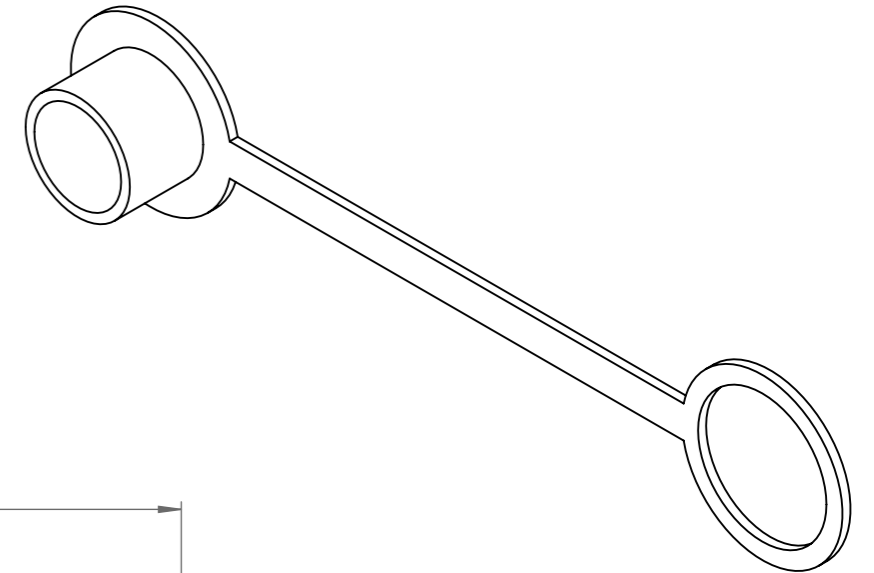
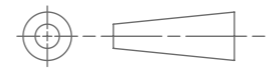


DRAWING NUMBER

429254-ENV

A3

BS 8888  
THIRD ANGLE  
PROJECTION  
IF IN DOUBT, ASK



PART NUMBER	MATING HALF O.D. ±0.002	ØF MAX	ØG MAX
IMC18	0.278	0.475	0.475
IMC28	0.420	0.633	0.635

ISSUE	CHANGE NOTE	DRAWN	CHECHED	APP. ENG.	APP. MARKETING	DATE
A	56883	NDL	KDC	KJF	MRM	13/03/09

MATERIAL  
BLACK LOW DENSITY POLYETHYLENE

HEAT TREATMENT & FINISH

PACKAGING

APP. I.E.D.


© THE COPYRIGHT OF THIS DRAWING IS RESERVED BY DEUTSCH UK. IT IS ISSUED ON CONDITION THAT IT IS NOT COPIED, REPRODUCED OR DISCLOSED TO A THIRD PARTY EITHER WHOLLY OR IN PART WITHOUT THE CONSENT IN WRITING OF DEUTSCH UK.

GENERAL TOLERANCES UNLESS OTHERWISE STATED:  
±1/64" ON FRACTIONS  
±0.010" ON TWO PLACE DECIMALS  
±0.005" ON THREE PLACE DECIMALS  
±1/2° ON ANGLES  
±0.002" ON DRILLED HOLES  
ALL DIAMETERS @ 0.004"

REMOVE ALL BURRS AND SHARP EDGES 0.005" MAX. UNLESS OTHERWISE STATED.

DIMENSIONS IN INCHES UNLESS OTHERWISE STATED

SCALE 2:1

**DEUTSCH** 

ST LEONARDS ON SEA, EAST SUSSEX, TN38 9RF  
TEL. +44 (0)1424 852721

TITLE  
IMC/MMP PROTECTIVE CAP FOR PLUG ENVELOPE DRAWING

DRAWING NUMBER  
429254-ENV

## X-ON Electronics

Largest Supplier of Electrical and Electronic Components

*Click to view similar products for [Standard Circular Connector](#) category:*

*Click to view products by [TE Connectivity](#) manufacturer:*

Other Similar products are found below :

[5M2530B10P](#) [600259N006](#) [600273N007](#) [6134-336-13149](#) [6134-337-11149](#) [6134-337-2390](#) [6134-341-17149](#) [6280-4SG-516](#) [6280-7SG-3DC](#)  
[6290](#) [6291A](#) [66200A-10](#) [680-SMG](#) [681-PMG](#) [CXS3102A14S2P](#) [CXS3102A181S](#) [7271-6SG-300](#) [7282-3PG-300-CH3](#) [75-474014-05S](#) [75-](#)  
[474618-01S](#) [75-474618-04P](#) [75-474618-04S](#) [799539-000](#) [MI8-SE](#) [805-005-07NF11-19PC](#) [805-005-07NF15-7PA](#) [8280-4PG-516](#) [8280-7PG-](#)  
[519](#) [8282-5PG-519](#) [836783-1](#) [MP-4102-25P-C](#) [862256-1](#) [864019-2](#) [866857-1](#) [867865-1](#) [PT01SP-14-18P](#) [PT08P-14-5S](#) [120-1833-000](#)  
[QCM019PC2DC012B](#) [1-2069279-1](#) [121583-0217](#) [121667-0020](#) [129591AU](#) [1000B BULK](#) [RD10A16-19-P6CS051/1](#) [RD10A20-31-](#)  
[P8CS051/1](#) [RD16A14-12-S6CS051/2](#) [1301240290](#) [1301240347](#) [1301860202](#) [1301240268](#)