

THIS DRAWING IS UNPUBLISHED. RELEASED FOR PUBLICATION

© COPYRIGHT - BY TYCO ELECTRONICS CORPORATION. ALL RIGHTS RESERVED.

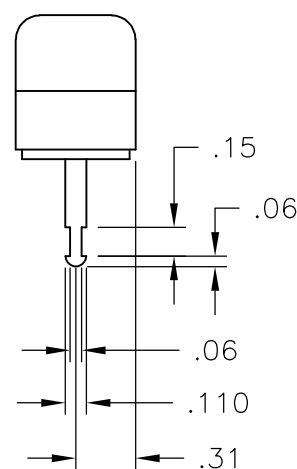
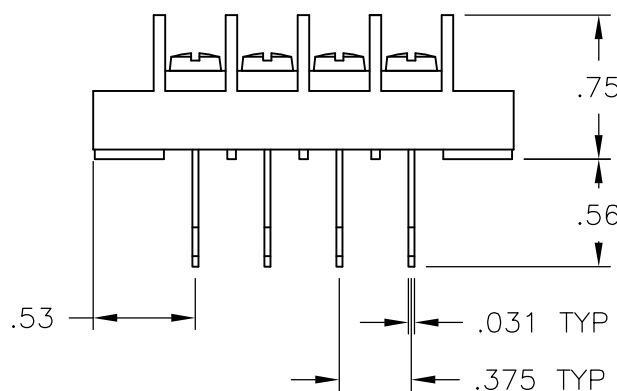
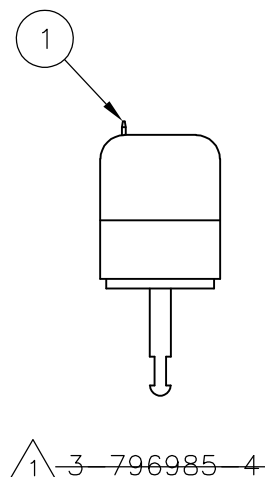
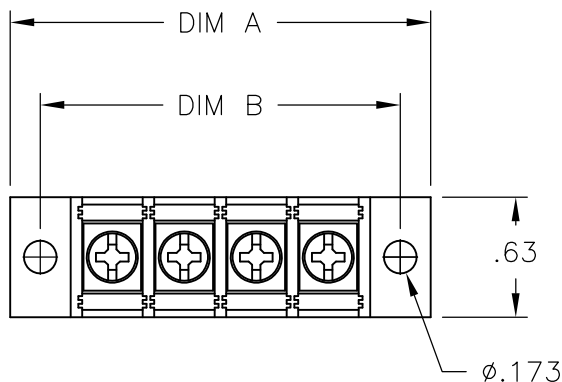
LOC	DIST	REVISIONS					
FT	0	P	LTR	DESCRIPTION	DATE	DWN	APVD
			A2	REVISED PER ECO-10-013614	13OCT10	HMR	CR

**MATERIAL:**  
 HOUSING: THERMOPLASTIC, UL94V-0, BLACK.  
 TERMINALS: BRIGHT TIN OVER COPPER ALLOY.  
 SCREWS: 6-32, STEEL, ZINC PLATING W/ CLR CHROMATE.

**ELECTRICAL:**  
 CURRENT RATING: 20A.  
 OPERATING VOLTAGE: 300V.  
 WIRE RANGE: 12-22 AWG.

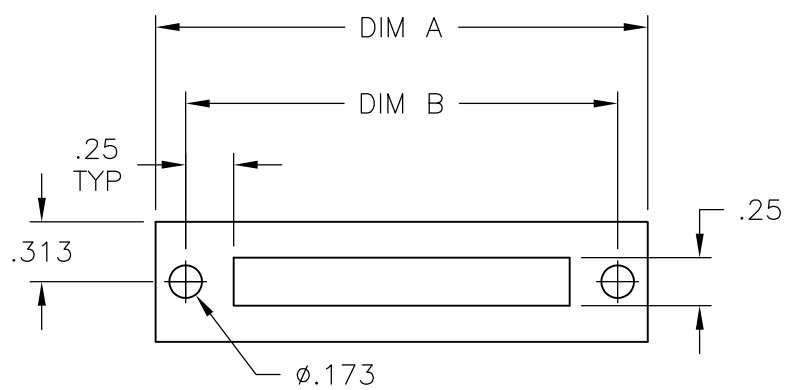
**ENVIRONMENTAL:**  
 OPERATING TEMP.: 105°C MAX.

1 OBSOLETE PARTS: OBSOLETE CIS STREAMLINING PER D.RENAUD/D.SINISI



SEE FIGURE

	DIM B	DIM A	NO OF POS	CATALOG NUMBER	PART NUMBER
-	9.000	9.314	23	JC6-T207-23	2-1546701-8
-	8.625	8.939	22	JC6-T207-22	2-1546701-7
-	8.250	8.564	21	JC6-T207-21	2-1546701-6
-	7.875	8.189	20	JC6-T207-20	2-1546701-5
-	7.500	7.814	19	JC6-T207-19	2-1546701-4
-	7.125	7.439	18	JC6-T207-18	2-1546701-3
-	6.750	7.064	17	JC6-T207-17	2-1546701-2
-	6.375	6.689	16	JC6-T207-16	2-1546701-0
-	6.000	6.314	15	JC6-T207-15	1-1546701-9
-	5.625	5.939	14	JC6-T207-14	1-1546701-8
-	5.250	5.564	13	JC6-T207-13	1-1546701-7
-	4.875	5.189	12	JC6-T207-12	1-1546701-6
-	4.500	4.814	11	JC6-T207-11	1-1546701-5
-	4.125	4.439	10	JC6-T207-10	8-1437665-3
-	3.750	4.064	9	JC6-T207-09	1-1546701-4
-	3.375	3.689	8	JC6-T207-08	8-1437665-2
-	3.000	3.314	7	JC6-T207-07	1-1546701-3
-	2.625	2.939	6	JC6-T207-06	796985-2
5	2.250	2.564	5	JC6-T207-05-148	1-3-796985-4
-	2.250	2.564	5	JC6-T207-05	8-1437665-1
-	1.875	2.189	4	JC6-T207-04	8-1437665-0
-	1.500	1.814	3	JC6-T207-03	7-1437665-9
-	1.125	1.439	2	JC6-T207-02	7-1437665-8



RECOMMENDED BOARD LAYOUT

THIS DRAWING IS A CONTROLLED DOCUMENT.		DWN	S SCHLEGEL	10/24/06	Tyco Electronics Corporation Harrisburg, PA 17105-3608		
DIMENSIONS: INCHES		CHK	S YODER	10/24/06			
TOLERANCES UNLESS OTHERWISE SPECIFIED:		APVD	S YODER	10/24/06	NAME		
0 PLC ± - 1 PLC ± - 2 PLC ± .01 3 PLC ± .005 4 PLC ± - ANGLES ± -		PRODUCT SPEC		JC6-T207-XX ASSEMBLY			
MATERIAL		APPLICATION SPEC		SIZE			
FINISH		WEIGHT		CAGE CODE		DRAWING NO	RESTRICTED TO
-		-		A3 00779		G-7-1437665-8	-
CUSTOMER DRAWING				SCALE	NTS	SHEET	1 OF 1
				REV		A2	

## X-ON Electronics

Largest Supplier of Electrical and Electronic Components

*Click to view similar products for [Barrier Terminal Blocks](#) category:*

*Click to view products by [TE Connectivity](#) manufacturer:*

Other Similar products are found below :

[CR151D20104](#) [670A-RZ-15-KT20](#) [6C1N03](#) [6PCR-02](#) [6PCR-02-008](#) [6PCR-05-008](#) [6PCR-08-008](#) [6PCR-09-008](#) [6PCR-13-006](#) [6PCR-15-006](#) [6PCR-21-006](#) [6PCV-06-008](#) [6PCV-06-716](#) [6PCV-09-001](#) [6PCV-10-009](#) [6PCV-15-008](#) [6PCV-17-1206](#) [6PCV-20-323](#) [6PCV-20-720](#) [6PCV-30-006](#) [6STR-06-006](#) [6STR-08-006](#) [6STR-12-008](#) [6STR-13-006](#) [6STR-14-008](#) [6STR-16-008](#) [6STR-17-008](#) [6STR-21-008](#) [6STR-25-008](#) [6STR-27-008](#) [6STV-03-006](#) [6STV-03-008](#) [6STV-04-006](#) [6STV-09-006](#) [6STV-10-006](#) [6WWR-03-693](#) [6WWV-12-008](#) [72212603](#) [72504-C-50](#) [72506-C](#) [72507-C-50](#) [73203](#) [75505-C](#) [75505-C-50](#) [75510-C](#) [77010-50](#) [7C1N08](#) [812-GP-3/4ST-09](#) [8-1437402-5](#) [8PCR-06-006](#)