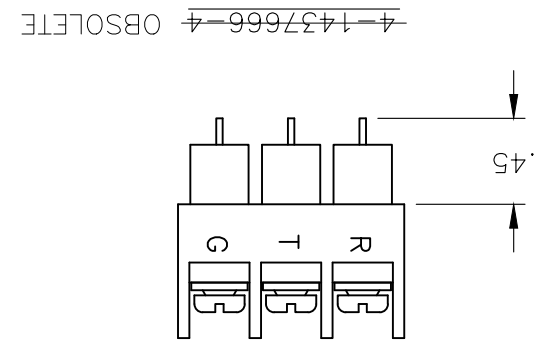
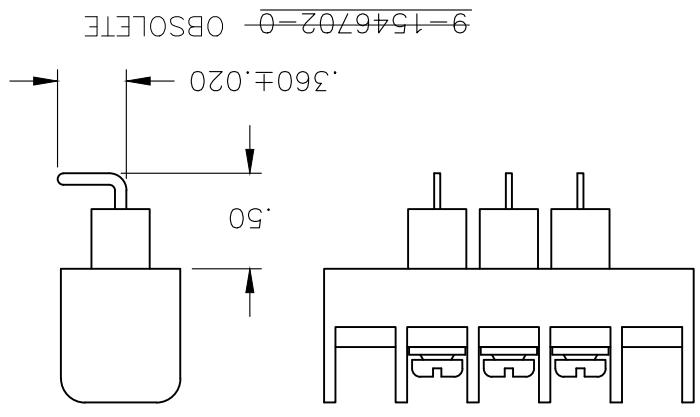
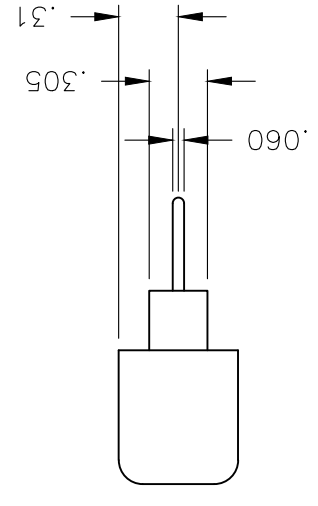
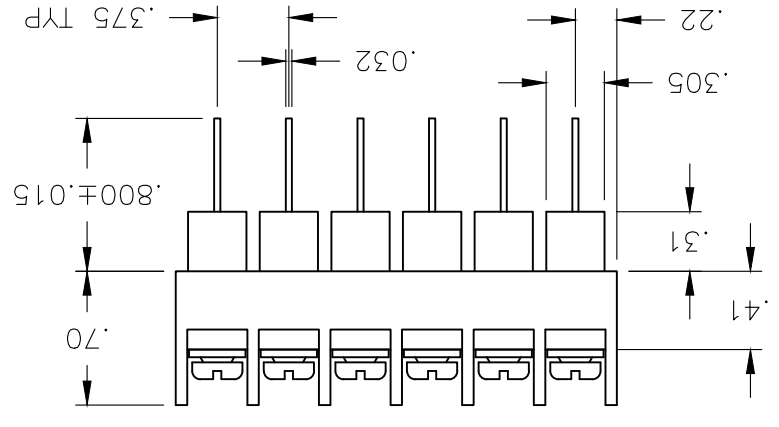
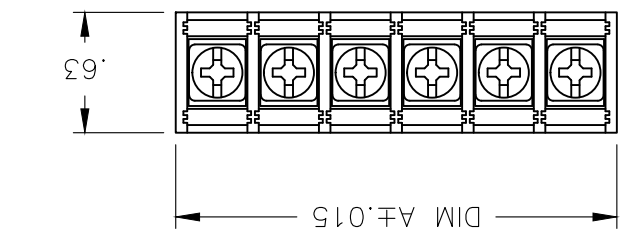


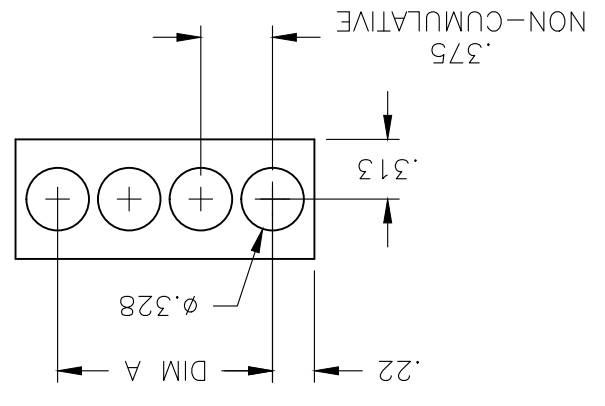
MATERIAL: THERMOPLASTIC, UL94V-0, BLACK.
 TERMINALS: BRIGHT TIN OVER COPPER ALLOY.
 SCREWS: #6-32 STEEL, ZINC PLATING W/ CLEAR CHROMATE,
 EXCEPT WHERE NOTED.

ELECTRICAL:
 CURRENT RATING UL/CSA:
 CLASS C: 20A, 300V.
 CLASS D: 5A, 600V.
 WIRE RANGE: 12-22 AWG

MECHANICAL:
 RECOMMENDED TORQUE: 7 IN-LB.
 OPERATING TEMP.: 105°C MAX.



MOUNTING PANEL LAYOUT



THIS DRAWING IS A CONTROLLED DOCUMENT.

DWN	S SCHLEGEL	5/27/03
CHK	S YODER	5/27/03
APVD	S YODER	5/27/03

TOLERANCES UNLESS OTHERWISE SPECIFIED:

0 PLC	±
1 PLC	± .01
2 PLC	± .01
3 PLC	± .005
4 PLC	± .005

FINISH ANGLES

0	±
1	± .01
2	± .01
3	± .005
4	± .005

CUSTOMER DRAWING

REV	E2	1 OF 1
SHEET	1	1

SCALE NTS

WEIGHT	—
APPLICATION SPEC	—
PRODUCT SPEC	—

NAME

APVD	S YODER	5/27/03
CHK	S YODER	5/27/03
DWN	S SCHLEGEL	5/27/03

OTHERWISE SPECIFIED:

0 PLC	±
1 PLC	± .01
2 PLC	± .01
3 PLC	± .005
4 PLC	± .005

FINISH ANGLES

0	±
1	± .01
2	± .01
3	± .005
4	± .005

DIMENSIONS: INCHES

TE Connectivity Ltd.

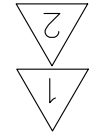
JC6-W408-XX ASSEMBLY

DRAWING NO 1437666-3

CAGE CODE 00779

REV E2

PART NO.	CATALOG NUMBER	DIM A	NO. OF POS.
JC6-W408-02	1546702-1	.811	2
JC6-W408-03	4-1437666-3	1.186	3
JC6-W408-03-147	4-1437666-4	1.186	3
JC6-W408-03-237	9-1546702-0	1.936	3
JC6-W408-04	4-1437666-5	1.561	4
JC6-W406-04	3-796985-6	1.561	4
JC6-W408-05	1546702-2	1.936	5
JC6-W406-05	3-796985-7	1.936	5
JC6-W408-06	1546702-3	2.311	6
JC6-W408-07	1546702-4	2.686	7
JC6-W408-08	1546702-5	3.061	8
JC6-W408-09	1546702-6	3.436	9
JC6-W408-10	1546702-7	3.811	10
JC6-W408-11	1546702-8	4.186	11
JC6-W408-12	4-1437666-6	4.561	12
JC6-W408-13	1546702-9	4.936	13
JC6-W408-14	1-1546702-0	5.311	14
JC6-W408-15	1-1546702-1	5.686	15
JC6-W408-16	1-1546702-2	6.061	16
JC6-W408-17	1-1546702-3	6.436	17
JC6-W408-18	1-1546702-4	6.811	18
JC6-W408-19	1-1546702-5	7.186	19
JC6-W408-20	1-1546702-6	7.561	20
JC6-W408-21	1-1546702-7	7.936	21
JC6-W408-22	1-1546702-8	8.311	22
JC6-W408-23	1-1546702-9	8.686	23
JC6-W408-24	2-1546702-0	9.061	24
JC6-W408-25	2-1546702-1	9.436	25



SCREWS: 6-32 BRASS, NICKEL PLATED.
 SPECIAL PACKAGING.

REVISIONS

P	LTR	DESCRIPTION	DATE	DWN	APVD
E2		PN 4-1437666-5 STATUS CHANGED TO ACTIVE	23JAN2018	RK	PS

X-ON Electronics

Largest Supplier of Electrical and Electronic Components

Click to view similar products for [Barrier Terminal Blocks](#) category:

Click to view products by [TE Connectivity](#) manufacturer:

Other Similar products are found below :

[CTA-0103](#) [6PCR-02-008](#) [6PCR-05-008](#) [6PCR-08-008](#) [6PCR-21-006](#) [6PCV-06-008](#) [6PCV-10-009](#) [6PCV-15-008](#) [6STR-06-006](#) [6STR-08-006](#) [6STR-12-008](#) [6STR-14-008](#) [6STR-16-008](#) [6STR-17-008](#) [6STR-21-008](#) [6STR-25-008](#) [6STR-27-008](#) [6STV-03-006](#) [6STV-03-008](#) [6STV-04-006](#) [6STV-10-006](#) [6WWR-03](#) [6WWV-11-008](#) [6WWV-12-008](#) [6WWV-16-008](#) [7-1546701-0](#) [72212603](#) [72503-C](#) [73203](#) [76007](#) [7606-602LF](#) [77010-50](#) [796985-3](#) [796988-4](#) [7C1N08](#) [8-1437402-5](#) [8-1437402-7](#) [8-1546158-0](#) [870505](#) [870903](#) [8PCR-06-006](#) [8PCV-02-008](#) [8PCV-04-008](#) [8PCV-05-008](#) [8PCV-09-006](#) [8PCV-15-006](#) [8PCV-16-006](#) [8PCV-17-006](#) [8QCR-03-008](#) [8STV-04-006](#)