

# Industrial Grade Temperature Sensor

## Type TS & TX



### Features:

- Rugged, sealed stainless steel design
- Fully encapsulated sensing element
- Industry standard connectors and cordsets
- Accommodates a wide variety of sensing elements including thermistors, RTD's, IC sensors and silicon PTC's
- Wide operating temperature range: -40°C to 105°C

### Options:

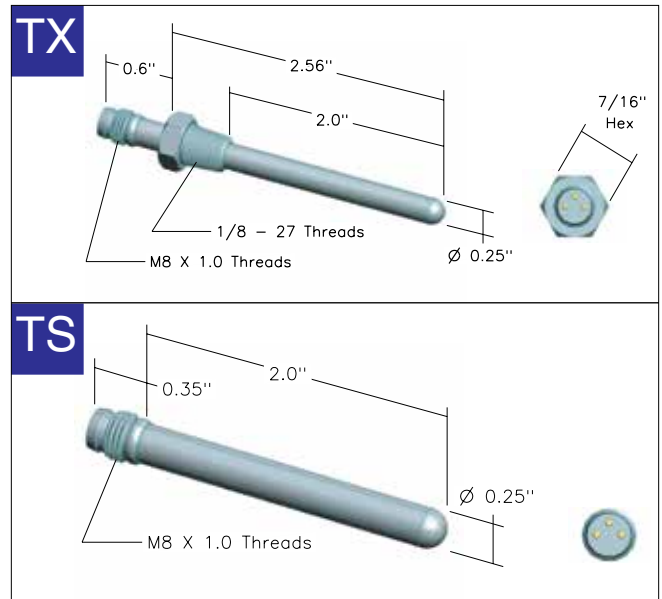
- Probe lengths, hex sizes
- Other thermistor values, curves and accuracies
- Other sensing elements

### Description:

MS types TS and TX are ruggedized probes that seal the sensing element from the outside environment. Because they include industry standard cordsets and connectors they are extremely easy to use. The sealed end design adds an extra level of moisture resistance over previous designs. These products simplify the installation and connection of temperature sensors in the harshest applications where the protection of the sensing element from the environment is critical. With this new design, it is now possible to have a fully enclosed sensor that will provide a lifetime of accurate and reliable sensing. Please contact the factory for specific design or application information or the availability of options.



Industrial Grade Temperature Sensors



Std. Probes & Assemblies

| Ordering Information |                     |                |                |                     | CABLES WITH MOLDED CONNECTOR   |           |
|----------------------|---------------------|----------------|----------------|---------------------|--|-----------|
| SENSOR INFORMATION   |                     |                |                |                     |  |           |
| MS Part Number*      | R <sub>25</sub> (Ω) | Sensor Type    | Material Curve | Accuracy            |  |           |
| A2253T_43N1          | 2,252               | NTC Thermistor | Z              | ±0.2°C, 0°C to 70°C | Straight   | JCS24T0-2 |
| A5003T_43N1          | 5,000               | NTC Thermistor | Z              | ±0.2°C, 0°C to 70°C | Right Angle  | JCR24T0-2 |
| A1004T_43N1          | 10,000              | NTC Thermistor | Z              | ±0.2°C, 0°C to 70°C | Standard cable length is 2 meters.<br>Cable material is polyurethane jacket.<br>Cable and sensors are sold separately. |           |
| S1003T_43N1          | 1,000               | Silicon PTC    | SIL            | ±1.5°C at 25°C      |  |           |
| RP102T_43N1          | 100Ω @ 0°C          | Pt PRTD        | DIN385         | ±0.3°C at 0°C       |  |           |

\*Replace T\_ with either TS or TX for desired housing style.

Resistance versus temperature data for material curve can be found on page 59 and for Pt RTD can be found on page 70.

## X-ON Electronics

Largest Supplier of Electrical and Electronic Components

*Click to view similar products for [Specialised Cables category](#):*

*Click to view products by [TE Connectivity manufacturer](#):*

Other Similar products are found below :

[603PT6](#) [603SS6L](#) [604PT6](#) [604SS6](#) [706000D02F200](#) [910640](#) [1200740077](#) [1200740114](#) [AC172](#) [ACL-SSI-4](#) [R88ACAKA0015SRE](#)  
[R88ACAWL005SDE](#) [R88ACRGD0R3C](#) [1300150047](#) [1300660036](#) [1302262116](#) [1300150149](#) [1300220020](#) [1300220104](#) [1300220119](#)  
[1301240492](#) [1301810221](#) [1365323-1](#) [1613055](#) [176P12](#) [1971465-2](#) [20240400003](#) [20240400013](#) [2085828-1](#) [20886510030](#) [2-22733-8](#) [22733-](#)  
[8](#) [CB-5PSBC-RS](#) [CB-704EC-RS](#) [CB-BATACC-RS](#) [CB-JST3PSW-RS](#) [CB-M12COM-R10](#) [25AC84](#) [25AK84X](#) [25AU25](#) [25FN82](#) [3011-03](#)  
[AC118](#) [ACL-HHS-1M\(CAT5E\)](#) [SSL009PC2DC012N](#) [FC2A-KC6C](#) [2085828-2](#) [20886510150](#) [CCS-FCB-5](#) [CCSFCBF2](#)