

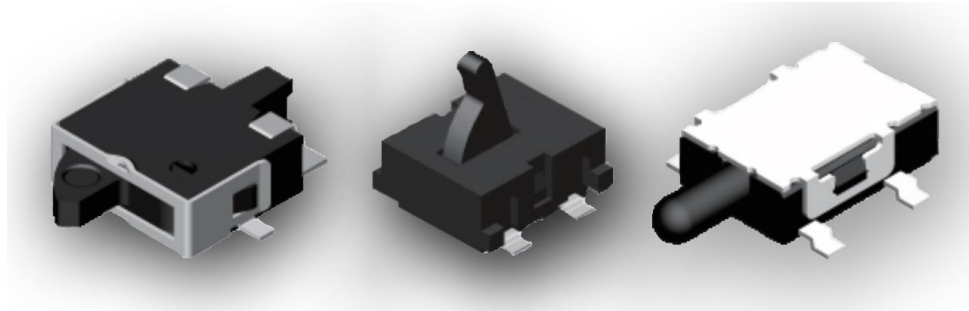
**Applications**

- Automotive
- Instrumentation
- White goods
- Telecommunications

**Benefits**

- RoHS Compliant
- Halogen and Lead Free
- Sharp detection feeling
- Compact Size

**JJ Series – Detector Switches**



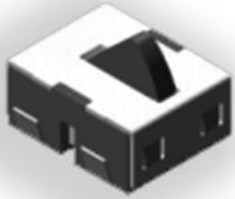
TE Connectivity is pleased to introduce its JJ Series of Detector Switches, suitable for a wide variety of applications given their several presentations ranging from horizontal or vertical actuated options as well as Gull-winged, J-leaded and Through-Hole mounting possibilities.

The Detector Switches will be offered in a wide range of sizes giving the possibility for countless applications going from automotive to telecommunications.

**JJ Series – Family Classification**

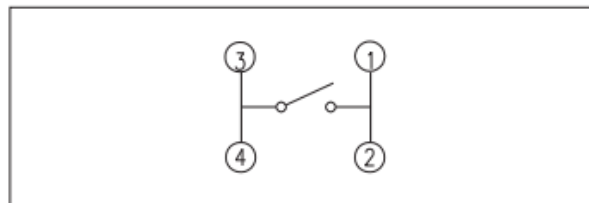
| Series | Body Size                  |
|--------|----------------------------|
| JJA    | 3.5x2.8 mm                 |
| JJB    | 3.5x2.98 mm                |
| JJC    | 3.5x3.3 mm                 |
| JJD    | 4.2x3.6 mm                 |
| JJE    | 4.7x3.5 mm                 |
| JJF    | 4.7x3.8 mm                 |
| JJG    | 5.7x4.0 mm (Metal Cover)   |
| JJH    | 5.7x4.0 mm (Plastic Cover) |
| JJI    | 5.0x4.4 mm                 |
| JJJ    | 6.0x4.85 mm / 5.5x4.7 mm   |
| JJK    | 6.3x3.0 mm                 |
| JJL    | 6.5x3.9 mm                 |
| JJM    | 5.7x4.0 mm                 |
| JJN    | 5.7x4.0 mm (Wedge)         |
| JJO    | 10.0x3.8 mm                |
| JJP    | 10.6x10.0 mm               |

### JJA Family – 3.5x2.8 mm

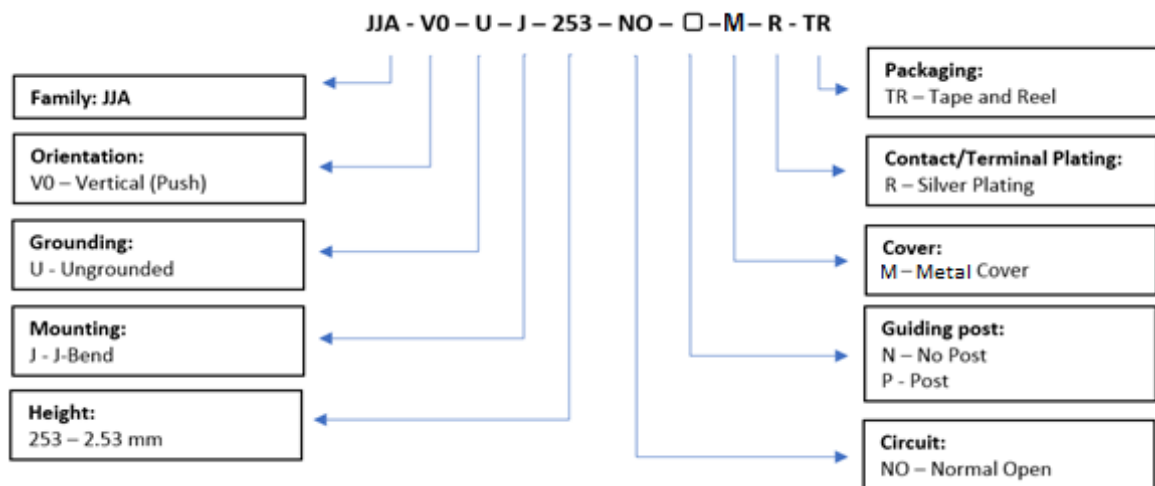
|   |                       |                   |
|---|-----------------------|-------------------|
|  | Contact Rating        | 1mA, 5VDC         |
|   | Contact Resistance    | 2Ω Max.           |
|   | Insulation Resistance | 100MΩ Min. 100VDC |
|   | Dielectric Strength   | 100VAC/1 minute   |
|   | Operating Force       | 50gF max          |
|   | Travel                | 1.03mm            |
|   | Operating Life        | 100,000 cycles    |
|   | Operating Temperature | -10°C to 60°C     |
|   | Storage Temperature   | -20°C to 70°C     |

| Features   | Applications  |
|--|---|
| <ul style="list-style-type: none"> <li>• Easy orientation offered by guiding post.</li> <li>• Ultra-low profile</li> </ul> | <ul style="list-style-type: none"> <li>• Notebooks</li> <li>• Smart Phones</li> </ul> |

### Circuit

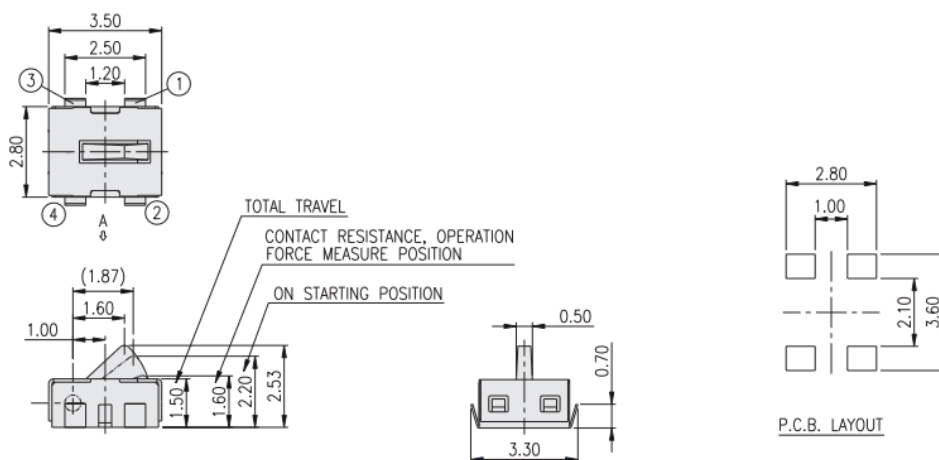


### How To Order

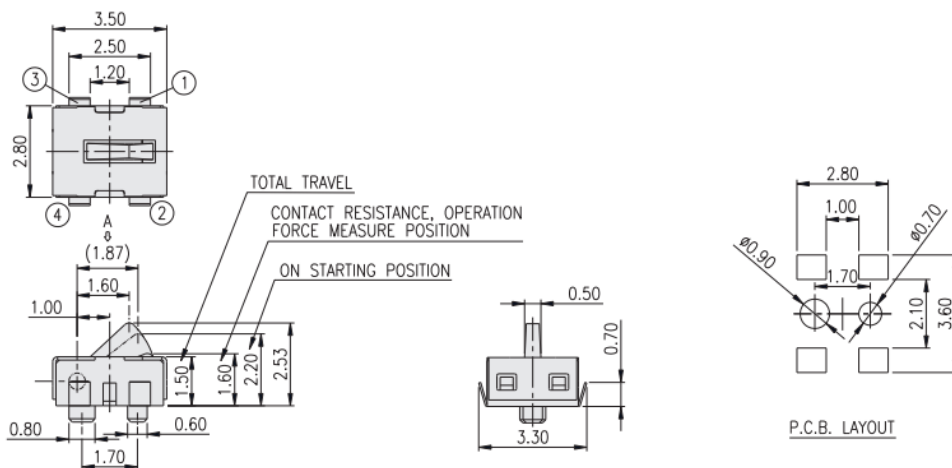


## Diagrams

### -Non-Posted



### -Posted



## PN List

| Smart PN          | Orientation   | Grounding  | Mounting | Height | Circuit | Guiding Post | Cover | Plating | Packaging     | MOQ   | TE PN     |
|-------------------|---------------|------------|----------|--------|---------|--------------|-------|---------|---------------|-------|-----------|
| JJAV0UJ253NOPMRTR | Vertical Push | Ungrounded | J-Bend   | 2.53mm | NO      | Post         | Metal | Silver  | Tape and Reel | 2,000 | 2331373-1 |
| JJAV0UJ253NONMRTR | Vertical Push | Ungrounded | J-Bend   | 2.53mm | NO      | No Post      | Metal | Silver  | Tape and Reel | 2,000 | 2331374-1 |

**1. Style**

“Detector Switches” are mainly used as signal switches of electric devices, with the general requirements of mechanical and electrical characteristic.

1.1 Operating Temperature Range: -10°C to 60°C

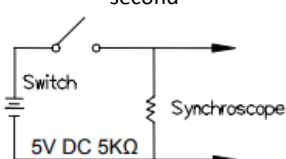
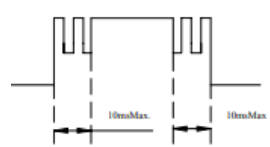
1.2 Storage Temperature Range: -20°C to 70°C

1.3 The shelf life of product is within 6 months.

**2. Current Range:** 1mA, 5VDC

**3. Type of Actuation:** Momentary

**4. Test Sequence:**

|                      | Item | Description                     | Test Conditions  | Requirements   |
|----------------------|------|---------------------------------|--|--|
| Appearance           | 1    | Visual Examination              | Physical inspection without applying any external forces.  | There shall be no defects that affect the serviceability of the product.                                   |
| Electric Performance | 2    | Contact Resistance              | Actuate the switch (1.60±0.2mm) and measure contact resistance using a micro-Ohmmeter.   | 2Ω Max.  |
|                      | 3    | Insulation Resistance           | Measurements shall be made at 100 VDC potential between terminals and cover.   | 100MΩ Min.   |
|                      | 4    | Dielectric Withstanding Voltage | Apply 100 VAC (50Hz or 60Hz) between terminals and cover for 1 minute.   | There shall be no breakdown or flashover   |
|                      | 5    | Capacitance                     | Capacitance shall be measured at 1 MHz between terminals.  | 5 pF Max.  |
|                      | 6    | Bounce                          | 3 to 4 operations at a rate of 1 cycles per second<br> | 10 m seconds Max.<br> |

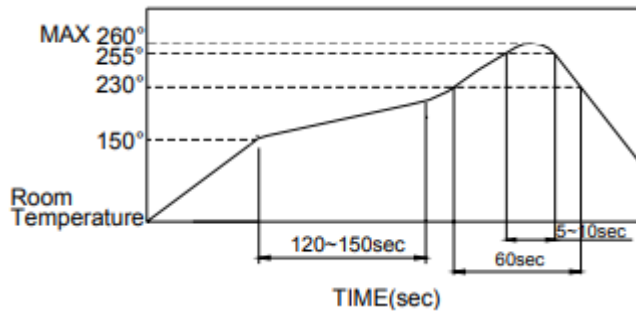


|                        |    |                        |   |   |
|------------------------|----|------------------------|---|---|
| Mechanical Performance | 7  | Operating Force        | Applying force to the center of the stem for 1.60±0.2mm (0.063 ± .008in.)   | 50gF Max. (0.49N Max.)  |
|                        | 8  | Contact (On) point     | -----   | As the specification shows ON start position  |
|                        | 9  | Stop Strength          | Apply vertical static load of 500gF (4.90N) for 15 seconds and 100gF (0.98N) horizontal static load for 15 seconds.   | 1) As shown in item 4 to 5<br>2) Contact Resistance: 5Ω Max.<br>3) Insulation Resistance: 10MΩ Min.   |
|                        | 10 | Solder Heat Resistance | (See chart below)   | 1) Shall be free from pronounced backlash and falling-off or breakage terminals<br>2) As shown in item 4 to 5<br>3) Contact Resistance: 5Ω Max.<br>4) Insulation Resistance: 10MΩ Min |
|                        | 11 | Vibration              | Test per Method 201A of MIL-STD-202F<br>1) Swing distance=1.5mm<br>2) Frequency: 10-55-10Hz in 1-Min/cycle.<br>3) Direction: 3 vertical directions including the directions of operation<br>4) Test time: 2 hours each direction  | 1) As shown in item 4 to 5<br>2) Contact Resistance: 5Ω Max.<br>3) Insulation Resistance: 10MΩ Min  |
|                        | 12 | Shock                  | Test per Method 213B condition A of MIL-STD-202F<br>1) Acceleration; 50G<br>2) Action time:11±1m seconds<br>3) Testing Direction: 6 sides<br>4) Test Cycle: 3 times in each direction   | 1) As shown in item 4 to 5<br>2) Contact Resistance: 5Ω Max.<br>3) Insulation Resistance: 10MΩ Min  |
| Durability             | 13 | Operating Life         | Tested as follows:<br>1) 1mA,5 VDC resistive load<br>2) Applying a static load the operating force to the center of the stem in the direction of operation Static Load = OF Max.<br>3) Rate of Operation: 15 to 20 operations per minute.<br>4) Cycle of Operation: 100,000 cycles Min. | 1) As shown in item 4 to 5<br>2) Operating force: Tolerance within +10% of initial force.<br>2) Contact Resistance: 5Ω Max.<br>3) Insulation Resistance: 10MΩ Min.                    |

|             |    |                            |   |  |
|-------------|----|----------------------------|---|--|
| Water-Proof | 14 | Resistance Low Temperature | Following the test set forth below the sample shall be left in normal temperature and humidity conditions for 1 hour before the measurements are made:<br>1) Temperature: $-20\pm 2^{\circ}\text{C}$<br>2) Time: 96 hours                                   | 1) As shown in item 4 to 5<br>2) Contact Resistance: $5\Omega$ Max.<br>3) Insulation Resistance: $10\text{M}\Omega$ Min. |
|             | 15 | Heat Resistance            | Following the test set forth below the sample shall be left in normal temperature and humidity conditions for 1 hour before the measurements are made:<br>1) Temperature: $85\pm 2^{\circ}\text{C}$<br>2) Time: 96 hours                                    | 1) As shown in item 4 to 5<br>2) Contact Resistance: $5\Omega$ Max.<br>3) Insulation Resistance: $10\text{M}\Omega$ Min. |
|             | 16 | Humidity Resistance        | Following the test set forth below the sample shall be left in normal temperature and humidity conditions for 1 hour before the measurements are made:<br>1) Temperature: $40\pm 2^{\circ}\text{C}$<br>2) Relative Humidity: 90 to 95%<br>3) Time: 96 hours | 1) As shown in item 4 to 5<br>2) Contact Resistance: $5\Omega$ Max.<br>3) Insulation Resistance: $10\text{M}\Omega$ Min. |

**5. Soldering Conditions:**

■ Recommended Soldering Profile for the JJA Series



■ The temperatures defined above are the temperatures measured on the surface of the Printed Circuit Board. There are cases where the printed circuit board's temperature differs greatly from the temperature of the switch. Critical note: the switch's surface temperature must not exceed  $260^{\circ}\text{C}$ .

■ Manual Soldering

Soldering Temperature:  $350^{\circ}\text{C}$  Max.  
Continuous Soldering Time: 5 second Max.

■ Precautions in Handling

- Care must be taken to ensure excess flux on the top surface of the printed circuit board does not adhere to the switch.
- Do not wash the switch.

■ Recommended storage conditions:

Store the products in the original packaging material. After opening the package, the remaining products must be stored in the appropriate moisture-proof & airtight environment.

Do not store the switch in the following environment or it may affect performance and solderability:

1. temperatures below -10° C to 40°C & humidity at 85% (min)
2. environment with corrosive gas
3. storage over 6 months
4. place in direct sunlight

## X-ON Electronics

Largest Supplier of Electrical and Electronic Components

*Click to view similar products for [Detector Switches](#) category:*

*Click to view products by [TE Connectivity](#) manufacturer:*

Other Similar products are found below :

[E3S-LS5C4S](#) [SPVQ850300](#) [21075-6](#) [SPVQ860100](#) [K2CU-F20A-F AC220](#) [D3DM0005H](#) [D3DM0001E](#) [D3DM0003A](#) [HARB0012](#) [PP2-7H1-2D2](#) [PP1-FB7-2D2](#) [PP2-7U1-2B2](#) [PP1-ET7-2B2](#) [MR1000AWA](#) [MR1000BWA](#) [ESE-24SH6](#) [ESE-31R11T](#) [ESE-23F101](#) [ESE-13V01D](#) [ESE-13V01C](#) [ESE-13V01A](#) [ESE-13H01B](#) [ESE-11MH1T](#) [ESE-11MH2T](#) [ESE-11MV1](#) [ESE-31L11T](#) [HDS001R](#) [SPVL110102](#) [ESE-11MV1T](#) [ESE-13V01B](#) [ESE-23J101](#) [SPPW811200](#) [ESE-58R61B](#) [SPVQ361300](#) [ESE-58R11B](#) [SPVT210201](#) [SPVL120101](#) [ESE-24CMV9T](#) [DS080](#) [DS0900502RP](#) [T0-SCB22MP1NC1](#) [T0-SCB22MP1NSX](#) [ESE-11SH5](#) [ESE-13H01A](#) [ESE-13H01C](#) [ESE-13H01D](#) [ESE-18R63D](#) [ESE-24CMH6T](#) [SPVN210101](#) [SPPB110300](#)