

4

3

2

1

THIS DRAWING IS UNPUBLISHED.

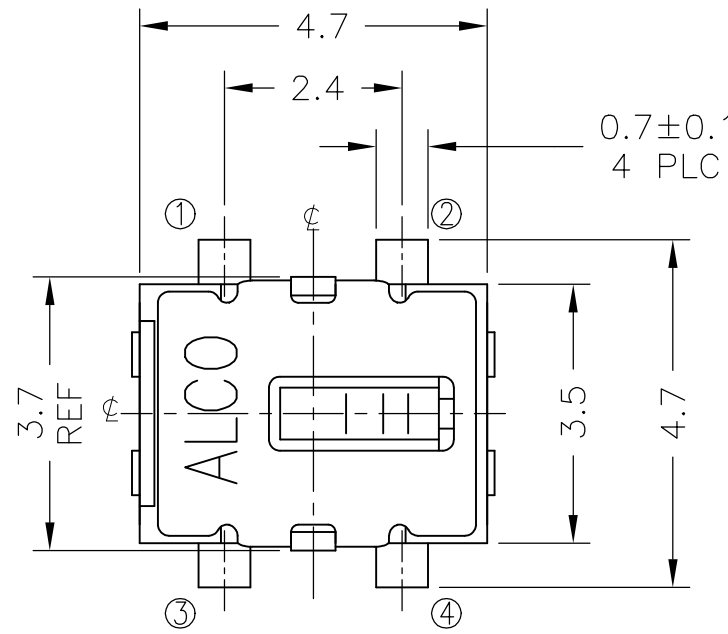
RELEASED FOR PUBLICATION

© COPYRIGHT - TE Connectivity Ltd.

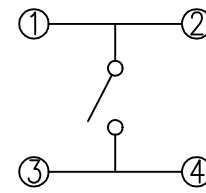
ALL RIGHTS RESERVED.

REVISIONS

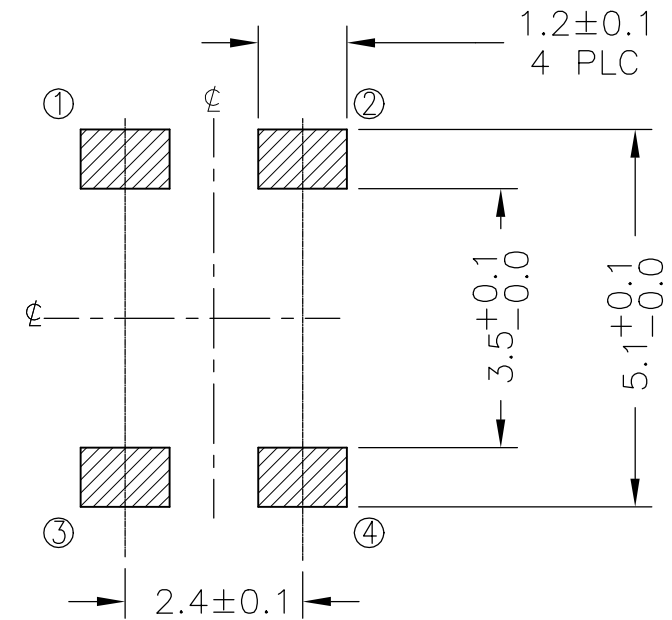
P	LTR	DESCRIPTION	DATE	DWN	APVD
A		ECR-18-012767	16AUG2018	RSM	AS



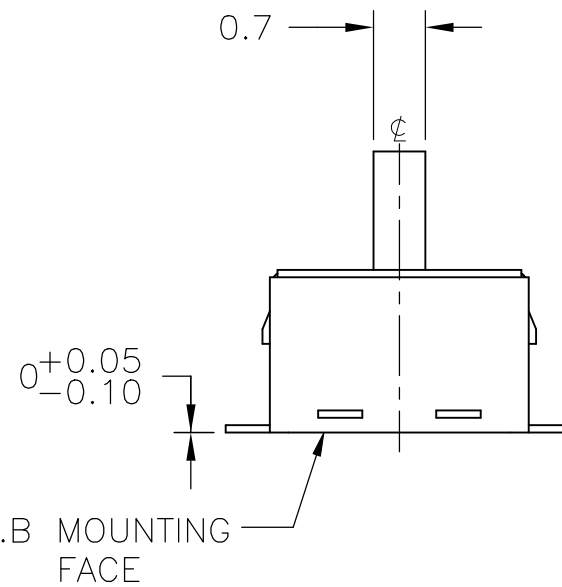
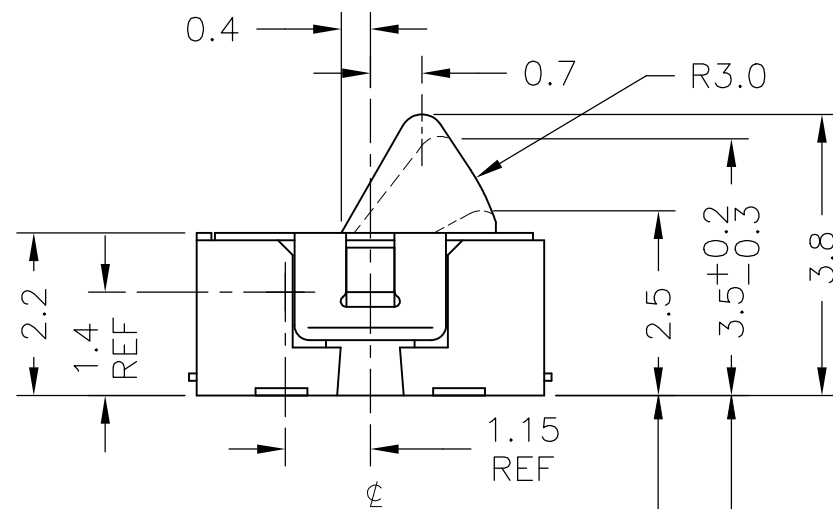
SCHEMATIC (1P1T)



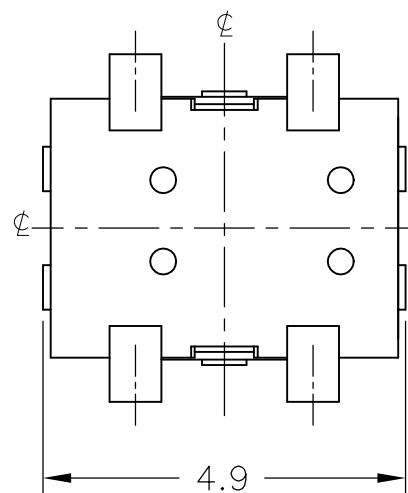
P.C.B LAYOUT



HATCHED AREA SHOWS SOLDERING LAND



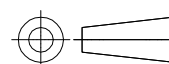
TOTAL TRAVEL POSITION



JJEVOUG380NONMRTR	2331417-1
SMART PART NUMBER	PART NUMBER

THIS DRAWING IS A CONTROLLED DOCUMENT.

DIMENSIONS: mm



TOLERANCES UNLESS OTHERWISE SPECIFIED:	
0 PLC	± -
1 PLC	± 0.2
2 PLC	± -
3 PLC	± -
4 PLC	± -
ANGLES	± -
FINISH	-

MATERIAL -

DWN 02MAY2018

CHK RAVI.S

APVD 02MAY2018

APVD 02MAY2018

PRODUCT SPEC

APPLICATION SPEC

WEIGHT -

CUSTOMER DRAWING

NAME
TE TE Connectivity Ltd.
 DETECTOR SWITCH, JJE SERIES,
 4.7X3.5mm, VERTICAL, SMT,
 WITHOUT POSTS

SIZE	CAGE CODE	DRAWING NO	RESTRICTED TO
A3	00779	C-2331417	-

SCALE	SHEET	REV
1:1	1 of 4	A

4

3

2

1

THIS DRAWING IS UNPUBLISHED.

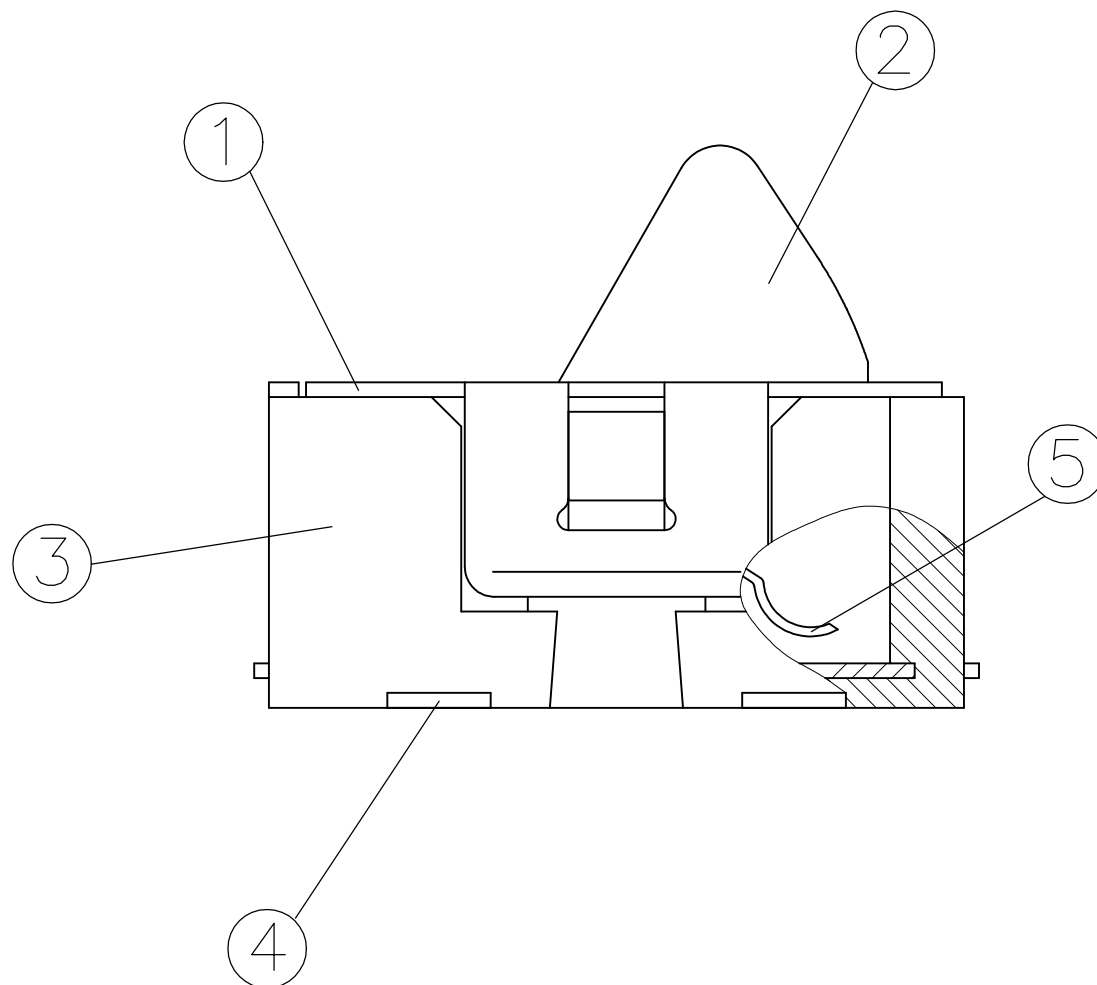
RELEASED FOR PUBLICATION

REVISIONS


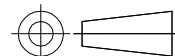
© COPYRIGHT - TE Connectivity Ltd.

ALL RIGHTS RESERVED.

P	LTR	DESCRIPTION	DATE	DWN	APVD
-	-	SEE SHEET 1	-	-	-



SILVER PLATE	STAINLESS STEEL PLATE	CONTACT PLATE	5
SILVER PLATE OVER NICKEL PLATE	COPPER ALLOY	TERMINAL	4
BLACK	THERMOPLASTIC	FRAME	3
GRAY	THERMOPLASTIC	ACTUATOR	2
-	STAINLESS STEEL	COVER	1
COLOR OR FINISH	MATERIAL	PART NAME	NO.

THIS DRAWING IS A CONTROLLED DOCUMENT.		DWN RAVI.S 02MAY2018	 TE Connectivity Ltd.	
DIMENSIONS: mm		CHK ALEXANDER SHARPE 02MAY2018		
		APVD ALEXANDER SHARPE 02MAY2018	NAME DETECTOR SWITCH, JJE SERIES, 4.7X3.5mm, VERTICAL, SMT, WITHOUT POSTS	
TOLERANCES UNLESS OTHERWISE SPECIFIED: 0 PLC ± - 1 PLC ± 0.2 2 PLC ± - 3 PLC ± - 4 PLC ± - ANGLES ± -		PRODUCT SPEC -	RESTRICTED TO -	
MATERIAL -		FINISH -	APPLICATION SPEC -	SIZE A3
		WEIGHT	CAGE CODE 00779	DRAWING NO C-2331417
CUSTOMER DRAWING			SCALE 20:1	SHEET 2 of 4
			REV A	

THIS DRAWING IS UNPUBLISHED.

RELEASED FOR PUBLICATION

REVISIONS

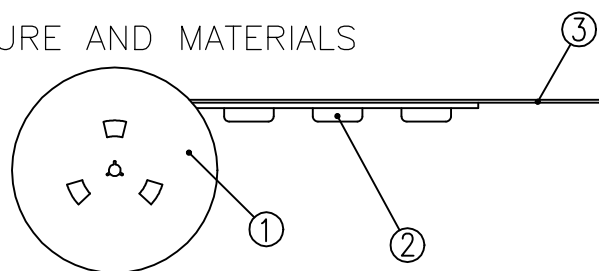
© COPYRIGHT - TE Connectivity Ltd.

ALL RIGHTS RESERVED.

P	LTR	DESCRIPTION	DATE	DWN	APVD
-	-	SEE SHEET 1	-	-	-

PACKAGING:

1. STRUCTURE AND MATERIALS

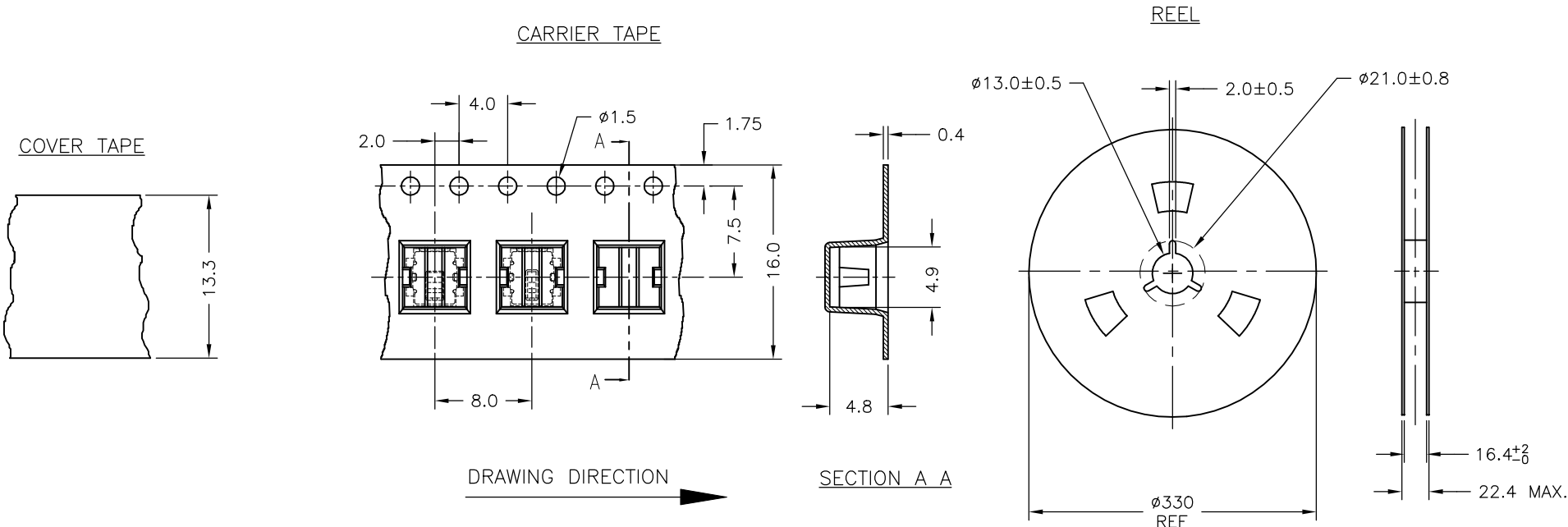


2. PACKAGING QUANTITY : 1,500 SWITCHES/REEL

3. MORE THAN 10 EMPTY POCKETS AT BOTH ENDS OF THE CARRIER TAPE FOR EACH REEL.

4. TAPE AND REEL PER EIA-481

5. DIMENSIONS :



POLYESTER	COVER TAPE	③
POLYSTYRENE	CARRIER TAPE	②
POLYSTYRENE	REEL	①
MATERIALS	PARTS NAME	NO.

THIS DRAWING IS A CONTROLLED DOCUMENT.		DWN	02MAY2018		 TE Connectivity Ltd.
		CHK	02MAY2018		
		APVD	02MAY2018		
		NAME	ALEXANDER SHARPE		
DIMENSIONS:		TOLERANCES UNLESS OTHERWISE SPECIFIED:		NAME	
mm				DETECTOR SWITCH, JJE SERIES, 4.7X3.5mm, VERTICAL, SMT, WITHOUT POSTS	
		0 PLC ± - 1 PLC ± 0.2 2 PLC ± - 3 PLC ± - 4 PLC ± - ANGLES ± -		PRODUCT SPEC APPLICATION SPEC RESTRICTED TO	
MATERIAL		FINISH		SIZE CAGE CODE DRAWING NO A3 00779 C-2331417	
				SCALE 2:1 SHEET 3 of 4 REV A	
				CUSTOMER DRAWING	

THIS DRAWING IS UNPUBLISHED.

RELEASED FOR PUBLICATION

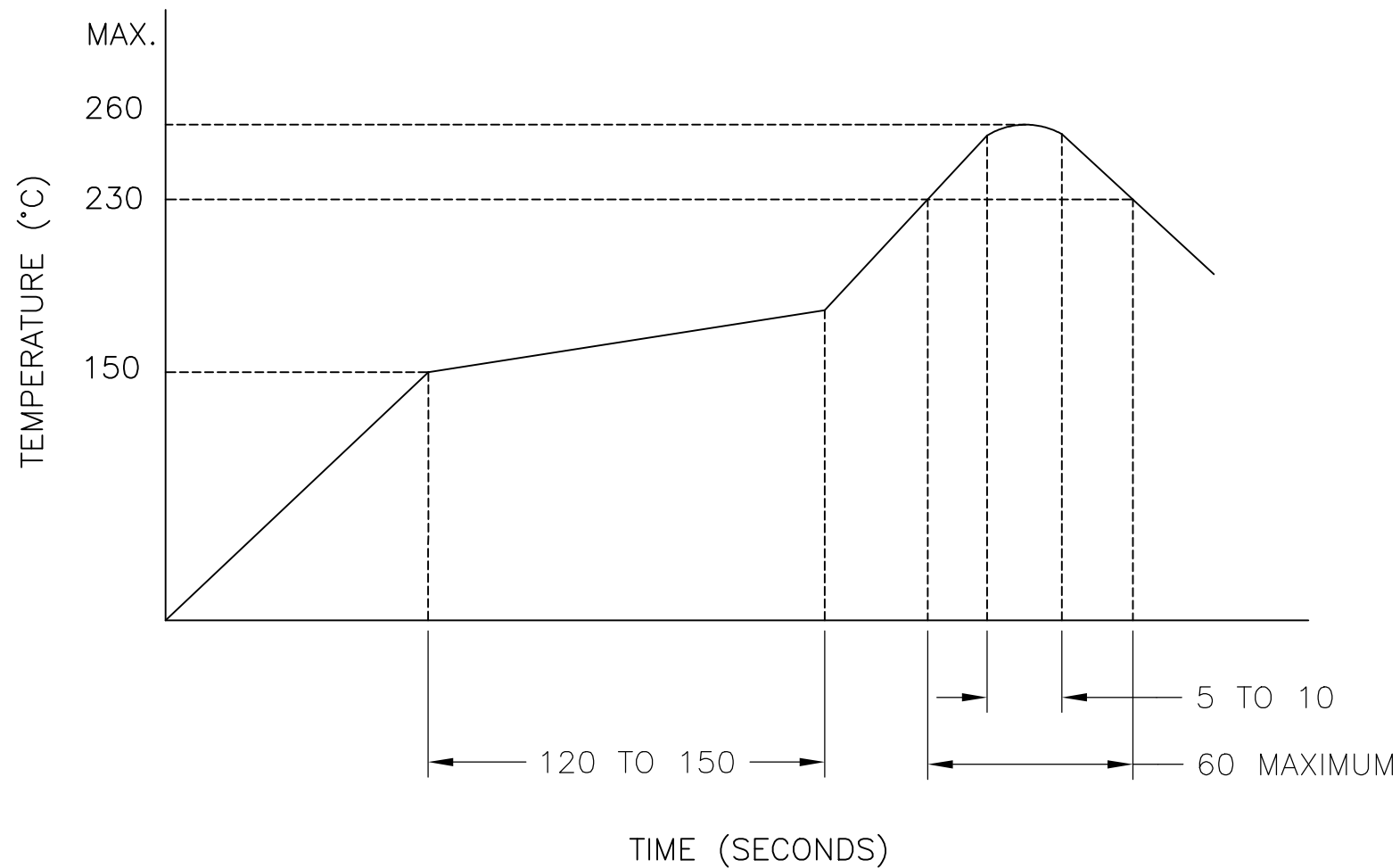
REVISIONS

© COPYRIGHT - TE Connectivity Ltd.

ALL RIGHTS RESERVED.

P	LTR	DESCRIPTION	DATE	DWN	APVD
-	-	SEE SHEET 1	-	-	-

REFLOW SOLDERING



1. RATING: DC 5V, 1mA (RESISTIVE LOAD)
2. CONTACT RESISTANCE: 1Ω MAXIMUM (INITIAL)
3. INSULATION RESISTANCE: 50 MΩ MINIMUM
4. WITHSTANDING VOLTAGE: AC 250V, 50 TO 60 Hz, 1 MINUTE
5. OPERATING FORCE: 60gf MAXIMUM
6. LIFE CYCLE: 100,000 CYCLES WITHOUT LOAD
7. OPERATING TEMPERATURE: -40 TO 85°C
8. STORAGE TEMPERATURE: -40 TO 85°C
9. COMPLIANCE: ALL MATERIALS AND FINISHES SHALL COMPLY WITH EU DIRECTIVE 2002/95/EC OF 27 JAN 2003 (RoHS).

THE TIME-TEMPERATURE CHART IS BASED ON THE TEMPERATURE OF THE MOUNTING SURFACE OF THE P.C.B. FOR THE SWITCH.

THIS DRAWING IS A CONTROLLED DOCUMENT.		DWN 02MAY2018 RAVI.S	TE Connectivity Ltd.	
DIMENSIONS: mm		CHK 02MAY2018 ALEXANDER SHARPE		
TOLERANCES UNLESS OTHERWISE SPECIFIED:		APVD 02MAY2018 ALEXANDER SHARPE	NAME DETECTOR SWITCH, JJE SERIES, 4.7X3.5mm, VERTICAL, SMT, WITHOUT POSTS	
0 PLC ± - 1 PLC ± 0.2 2 PLC ± - 3 PLC ± - 4 PLC ± - ANGLES ± -		PRODUCT SPEC -		
MATERIAL -		FINISH -	APPLICATION SPEC -	RESTRICTED TO -
		WEIGHT	SIZE A3	CAGE CODE 00779
		CUSTOMER DRAWING	DRAWING NO. C-2331417	SCALE 2:1
			SHEET 4 OF 4	REV A

X-ON Electronics

Largest Supplier of Electrical and Electronic Components

Click to view similar products for [Detector Switches](#) category:

Click to view products by [TE Connectivity](#) manufacturer:

Other Similar products are found below :

[E3S-LS5C4S](#) [SPVQ850300](#) [21075-6](#) [SPVQ860100](#) [K2CU-F20A-F AC220](#) [D3DM0005H](#) [D3DM0001E](#) [D3DM0003A](#) [HARB0012](#) [PP2-7H1-2D2](#) [PP1-FB7-2D2](#) [PP2-7U1-2B2](#) [PP1-ET7-2B2](#) [MR1000AWA](#) [MR1000BWA](#) [ESE-24SH6](#) [ESE-31R11T](#) [ESE-23F101](#) [ESE-13V01D](#) [ESE-13V01C](#) [ESE-13V01A](#) [ESE-13H01B](#) [ESE-11MH1T](#) [ESE-11MH2T](#) [ESE-11MV1](#) [ESE-31L11T](#) [HDS001R](#) [SPVL110102](#) [ESE-11MV1T](#) [ESE-13V01B](#) [ESE-23J101](#) [SPPW811200](#) [ESE-58R61B](#) [SPVQ361300](#) [ESE-58R11B](#) [SPVT210201](#) [SPVL120101](#) [ESE-24CMV9T](#) [DS080](#) [DS0900502RP](#) [T0-SCB22MP1NC1](#) [T0-SCB22MP1NSX](#) [ESE-13H01A](#) [ESE-13H01C](#) [ESE-13H01D](#) [ESE-18R63D](#) [ESE-24CMH6T](#) [SPVN210101](#) [SPPB110300](#) [SPPB120200](#)