



CII

TE Internal #: 1617126-6

TO-5/.100 Grid Relays, 2 Form C, DPDT, 2 C/O, 26.5VDC TO-5/.100

Grid Relay Input Voltage, Coil Suppression Diode

[View on TE.com >](#)

Relays, Contactors & Switches > Relays > Mil-Aero Relays > TO-5/.100 Grid Relays



TO-5/.100 Grid Relay Contact Arrangement: **2 Form C, DPDT, 2 C/O**

TO-5/.100 Grid Relay Input Voltage: **26.5 VDC**

Coil Suppression Diode: **With**

MOSFET Driver: **Without**

Transistor Driver: **Without**

Features

Product Type Features

Enclosure Type	Hermetically Sealed
Relay Type	Military/Aerospace High Performance
Coil Latching	Without
Product Type	Relay
MOSFET Driver	Without

Configuration Features

Transistor Driver	Without
-------------------	---------

Electrical Characteristics

Coil Magnetic System	Non-Polarized, Monostable
Vibration	30G's, 10 – 3000Hz
Actuating System	DC
Shock	75G's, 6ms
Coil Power Measurement	Milliwatts
TO-5/.100 Grid Relay Input Voltage	26.5 VDC
Coil Suppression Diode	With
Coil Voltage	26.5 VDC
TO-5/.100 Grid Relay Coil Resistance	1560 Ω
TO-5/.100 Grid Relay Coil Power Rating (DC)	450 mW



Coil Polarity Protection Diode	With
TO-5/.100 Grid Relay Contact Switching Voltage (Max)	28

Contact Features

Contact Current Class	Low Level – 1 A
TO-5/.100 Grid Relay Contact Arrangement	2 Form C, DPDT, 2 C/O
TO-5/.100 Grid Relay Contact Current Rating	1 A

Termination Features

Termination Type	Long Leads
------------------	------------

Mechanical Attachment

TO-5/.100 Grid Relay Mounting Type	Printed Circuit Board
------------------------------------	-----------------------

Usage Conditions

Operating Temperature Range	-65 – 125 °C
-----------------------------	--------------

Product Compliance

[For compliance documentation, visit the product page on TE.com>](#)

EU RoHS Directive 2011/65/EU	Not Compliant
EU ELV Directive 2000/53/EC	Not Compliant
China RoHS 2 Directive MIIT Order No 32, 2016	Restricted Materials Above Threshold
EU REACH Regulation (EC) No. 1907/2006	Current ECHA Candidate List: JUL 2021 (219) Candidate List Declared Against: JUL 2021 (219) Does not contain REACH SVHC
Halogen Content	Low Halogen - Br, Cl, F, I < 900 ppm per homogenous material. Also BFR/CFR/PVC Free
Solder Process Capability	Not lead free process capable

Product Compliance Disclaimer

This information is provided based on reasonable inquiry of our suppliers and represents our current actual knowledge based on the information they provided. This information is subject to change. The part numbers that TE has identified as EU RoHS compliant have a maximum concentration of 0.1% by weight in homogenous materials for lead, hexavalent chromium, mercury, PBB, PBDE, DBP, BBP, DEHP, DIBP, and 0.01% for cadmium, or qualify for an exemption to these limits as defined in the Annexes of Directive 2011/65/EU (RoHS2). Finished electrical and electronic equipment products will be CE marked as required by Directive 2011/65/EU. Components may not be CE marked. Additionally, the part numbers that TE has identified as EU ELV compliant have a maximum concentration of 0.1% by weight in homogenous materials for lead, hexavalent chromium, and mercury, and 0.01% for cadmium, or qualify for an exemption to these limits as defined in the Annexes of Directive 2000/53/EC (ELV). Regarding the REACH Regulation, the information TE provides on SVHC in articles for this part number is based on the latest European Chemicals Agency (ECHA) 'Guidance on requirements for substances in articles' posted at this URL: <https://echa.europa.eu/guidance-documents/guidance-on-reach>

Compatible Parts



TE Part # 1617036-6
HFW4A1201D00 = HFW 4A RELAY

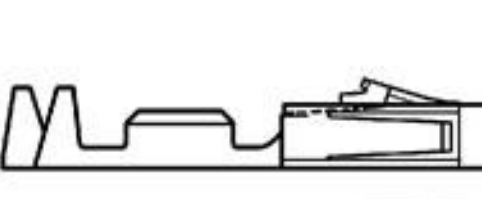
Customers Also Bought



TE Part #205560-2
AMPLIMITE,ASY,PLUG,STD,109,3



TE Part #0641-2-1631L
CONT PIN



TE Part #104480-9
SHORT POINT RECP CONT LP



TE Part #5205980-1
SCREW RETAINER KIT



TE Part #5053232077
RNF-100-1/2-WH-STK




TE Part #120411-000
B-040-24-N



TE Part #3822433012
44A1121-24-0/9-9



TE Part #992008-000
AD-1377-CRIMP-TOOL-3-CVTY



TE Part #YAFD50-8-98SNC1270
RECP ASSY



TE Part #948761-3
PINCE FERRULE HDE

Documents

[CAD Files](#)

[3D PDF](#)

[3D](#)

[Customer View Model](#)

[ENG_CVM_CVM_1617126-6_G.2d_dxf.zip](#)

English



Customer View Model

[ENG_CVM_CVM_1617126-6_G.3d_igs.zip](#)

English

Customer View Model

[ENG_CVM_CVM_1617126-6_G.3d_stp.zip](#)

English

By downloading the CAD file I accept and agree to the [Terms and Conditions](#) of use.

Datasheets & Catalog Pages

[RELAY](#)

English

X-ON Electronics

Largest Supplier of Electrical and Electronic Components

Click to view similar products for [Industrial Relays](#) category:

Click to view products by [TE Connectivity](#) manufacturer:

Other Similar products are found below :

[6-1617801-8](#) [6-1618107-9](#) [7-1618273-3](#) [EV250-4A-02](#) [EV250-6A-01](#) [FCA-125-CX8](#) [FCA-325-159](#) [FCA-410-138](#) [8000-S3121](#) [8-1618273-6](#)
[8-1618393-1](#) [GCA63A220VAC60HZ](#) [GCA63A277VAC60HZ](#) [GCA63A600VAC60HZ](#) [1-1672275-3](#) [1-1833005-4](#) [H-16/S1](#) [A711Z](#) [H-8C](#)
[H-8/S11](#) [H-8/S68](#) [ACC530U20](#) [ACC730U30](#) [RF303ZM4-12](#) [DH18DA](#) [1423675-8](#) [AR4-15F13-C01](#) [AR7-41F11](#) [AVR907](#) [15732A200](#)
[B07B032AC1-0329](#) [B329](#) [B490A](#) [1618279-1](#) [BHR124Y](#) [1810DDB-SX](#) [N417](#) [P30C42A12D1-120](#) [2-1617748-6](#) [2-1618375-1](#) [2-1618396-6](#)
[2-1618398-1](#) [JMAPD-5XL](#) [JMGACD-5M](#) [JMGSC-5LW](#) [JMGSCD-5L](#) [PBO-18A1218](#) [PBO-40A3040](#) [K8DSPH1200480VAC](#) [KA-3C-12A](#)