

1617127-3 ✓ ACTIVE



CII

TE Internal #: 1617127-3

TO-5/.100 Grid Relays, Contact Arrangement 2 Form C, DPDT, 2 C /O, 7VDC Input Voltage, Without MOSFET Driver, Without Transistor Driver

[View on TE.com >](#)

Relays, Contactors & Switches > Relays > Mil-Aero Relays > TO-5/.100 Grid Relays



Contact Arrangement: **2 Form C, DPDT, 2 C/O**

Input Voltage: **7 VDC**

Coil Suppression Diode: **Without**

MOSFET Driver: **Without**

Transistor Driver: **Without**

Features

Product Type Features

| | |
|----------------|-------------------------------------|
| Enclosure Type | Hermetically Sealed |
| Relay Type | Military/Aerospace High Performance |
| Coil Latching | Without |
| Product Type | Relay |
| MOSFET Driver | Without |

Configuration Features

| | |
|-------------------|---------|
| Transistor Driver | Without |
|-------------------|---------|

Electrical Characteristics

| | |
|------------------------|---------------------------|
| Coil Magnetic System | Non-Polarized, Monostable |
| Vibration | 30G's, 10 – 3000Hz |
| Actuating System | DC |
| Shock | 75G's, 6ms |
| Coil Power Measurement | Milliwatts |
| Input Voltage | 7 VDC |
| Coil Suppression Diode | Without |
| Coil Voltage | 12 VDC |
| Coil Resistance | 850 Ω |



| | |
|------------------------|--------|
| Coil Power Rating (DC) | 169 mW |
|------------------------|--------|

| | |
|--------------------------------|---------|
| Coil Polarity Protection Diode | Without |
|--------------------------------|---------|

| | |
|---------------------------------|----|
| Contact Switching Voltage (Max) | 28 |
|---------------------------------|----|

Contact Features

| | |
|-----------------------|-----------------|
| Contact Current Class | Low Level – 1 A |
|-----------------------|-----------------|

| | |
|---------------------|-----------------------|
| Contact Arrangement | 2 Form C, DPDT, 2 C/O |
|---------------------|-----------------------|

| | |
|------------------------|-----|
| Contact Current Rating | 1 A |
|------------------------|-----|

Termination Features

| | |
|------------------|---------|
| Termination Type | PC Pins |
|------------------|---------|

Mechanical Attachment

| | |
|---------------|-----------------------|
| Mounting Type | Printed Circuit Board |
|---------------|-----------------------|

Usage Conditions

| | |
|-----------------------------|--------------|
| Operating Temperature Range | -65 – 125 °C |
|-----------------------------|--------------|

Product Compliance

[For compliance documentation, visit the product page on TE.com>](#)

| | |
|------------------------------|-----------|
| EU RoHS Directive 2011/65/EU | Compliant |
|------------------------------|-----------|

| | |
|-----------------------------|---------------|
| EU ELV Directive 2000/53/EC | Not Compliant |
|-----------------------------|---------------|

| | |
|---|---|
| China RoHS 2 Directive MIIT Order No 32, 2016 | No Restricted Materials Above Threshold |
|---|---|

| | |
|--|---|
| EU REACH Regulation (EC) No. 1907/2006 | Current ECHA Candidate List: JUN 2020 (209) Candidate List Declared Against: JAN 2020 (205) Does not contain REACH SVHC |
|--|---|

| | |
|-----------------|---|
| Halogen Content | Low Halogen - Br, Cl, F, I < 900 ppm per homogenous material. Also BFR/CFR/PVC Free |
|-----------------|---|

| | |
|---------------------------|-------------------------------|
| Solder Process Capability | Not lead free process capable |
|---------------------------|-------------------------------|

Product Compliance Disclaimer

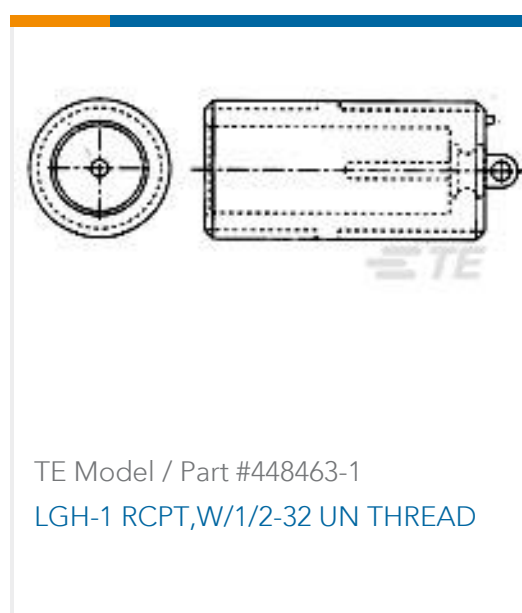
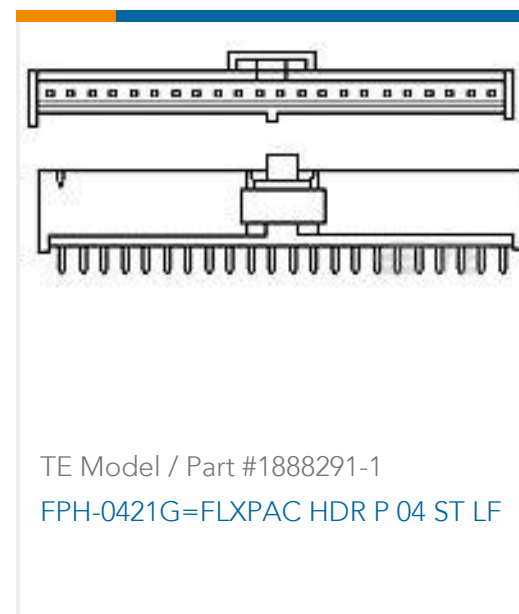
This information is provided based on reasonable inquiry of our suppliers and represents our current actual knowledge based on the information they provided. This information is subject to change. The part numbers that TE has identified as EU RoHS compliant have a maximum concentration of 0.1% by weight in homogenous materials for lead, hexavalent chromium, mercury, PBB, PBDE, DBP, BBP, DEHP, DIBP, and 0.01% for cadmium, or qualify for an exemption to these limits as defined in the Annexes of Directive 2011/65/EU (RoHS2). Finished electrical and electronic equipment products will be CE marked as required by Directive 2011/65/EU. Components may not be CE marked. Additionally, the part numbers that TE has identified as EU ELV compliant have a maximum concentration of 0.1% by weight in homogenous materials for lead, hexavalent chromium, and mercury, and 0.01% for cadmium, or qualify for an exemption to these limits as defined in the Annexes of Directive 2000/53/EC (ELV). Regarding the REACH Regulation, the information TE provides on SVHC in articles for this part number is based on the latest European Chemicals Agency (ECHA) 'Guidance on

requirements for substances in articles' posted at this URL: <https://echa.europa.eu/guidance-documents/guidance-on-reach>

Compatible Parts



Customers Also Bought



Documents

[CAD Files](#)

[3D PDF](#)

[3D](#)

[Customer View Model](#)



[ENG_CVM_CVM_1617127-3_D.2d_dxf.zip](#)

English

Customer View Model

[ENG_CVM_CVM_1617127-3_D.3d_igs.zip](#)

English

Customer View Model

[ENG_CVM_CVM_1617127-3_D.3d_stp.zip](#)

English

By downloading the CAD file I accept and agree to the [Terms and Conditions](#) of use.

Datasheets & Catalog Pages

[5-1773450-5_sec1_MS](#)

English

X-ON Electronics

Largest Supplier of Electrical and Electronic Components

Click to view similar products for [Low Signal Relays - PCB category](#):

Click to view products by [TE Connectivity manufacturer](#):

Other Similar products are found below :

[LZN4-US-DC12](#) [LZNQ4-US-DC24](#) [LZNQ4-US-DC48](#) [6-1393813-4](#) [6-1462039-0](#) [6-1617347-5](#) [6-1617353-3](#) [6-1617529-6](#) [M39016/20-054M](#) [M39016/27-030M](#) [67RPCX-3](#) [MAHC-5494](#) [D3493L](#) [7-1393809-0](#) [7-1393813-3](#) [741B8](#) [7556072001](#) [MF-11AM-24](#) [MF1201N12](#) [MF-17A-24](#) [FBR244D012/02CP](#) [FBR244D024/02CS](#) [80.010.4522.1](#) [FL-4036](#) [FLH-11D-6](#) [831A7](#) [MMS124](#) [FTR-B4GA006Z](#) [FW1102S06](#) [FW1201S39](#) [FW1210S02](#) [FW1521S01](#) [FW5A1201S14](#) [9-1393813-6](#) [9-1617582-5](#) [G6AK-2-H-DC5](#) [G6E-184P-ST-US-DC48](#) [G6G234CDC24](#) [A07A939BZ1-0388](#) [A150-0005](#) [PZ-2A2420](#) [HB1-DC6V](#) [HB1-DC9V](#) [R10-14A10-240](#) [R10-14D10-12](#) [R10-5A10-120F](#) [R10-E1L8-S200](#) [R10-E2468-1](#) [R10-E4Z2-V700](#) [R10-T1L2N-115V](#)