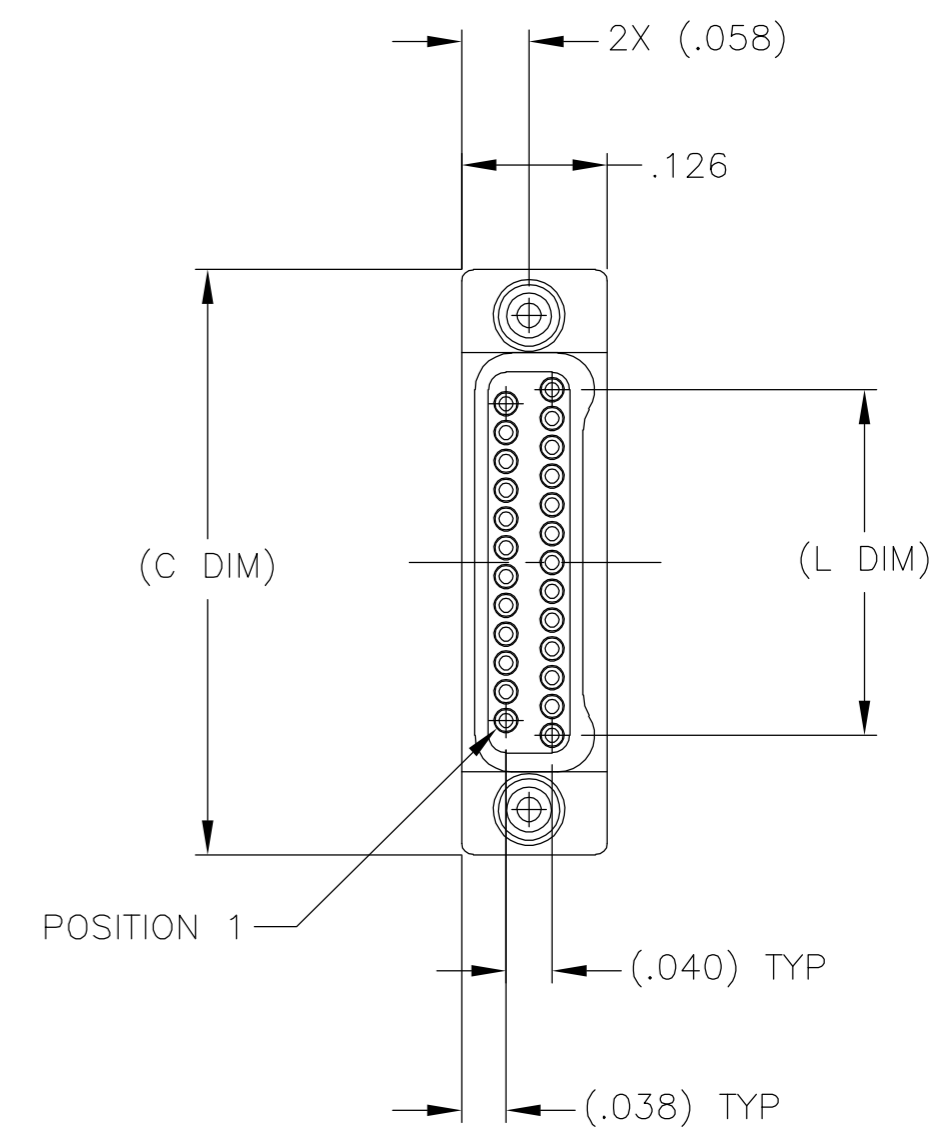
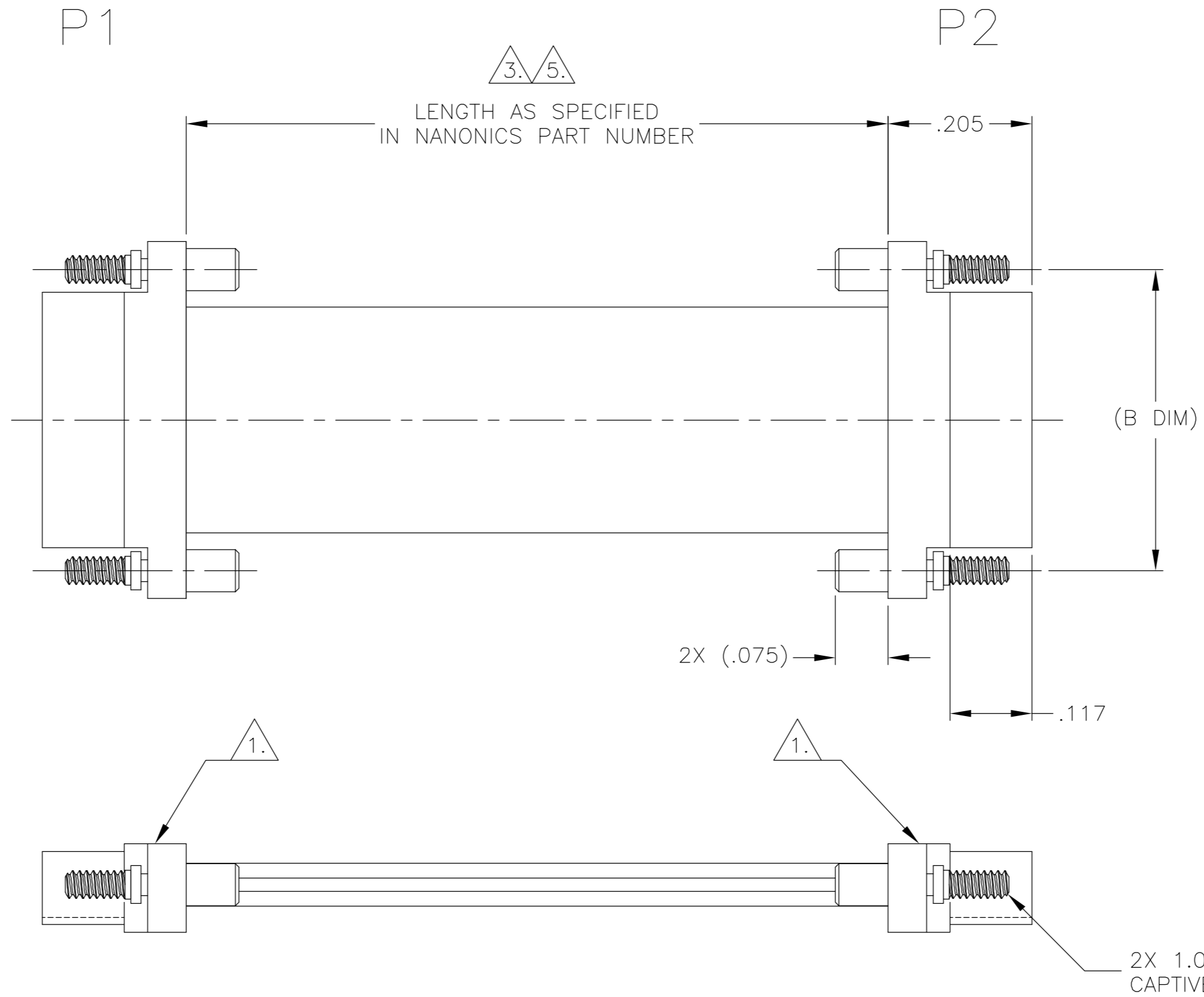
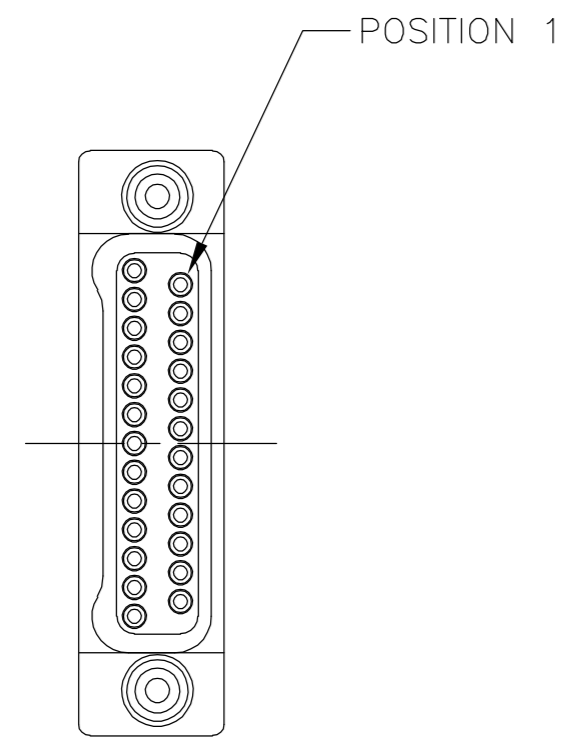


THIS DRAWING IS UNPUBLISHED. RELEASED FOR PUBLICATION
 © COPYRIGHT BY TYCO ELECTRONICS CORPORATION. ALL RIGHTS RESERVED.

LOC	DIST	REVISIONS					
DF	DO	P	LTR	DESCRIPTION	DATE	DWN	APVD
		C		UPDATE PER 0H2Y-0381-04	17 NOV 04	CAS	MKS

SIZE	(B DIM)	C DIM ±.0050	(L DIM)
09	(.229)	.3085	(.100)
15	(.304)	.3835	(.175)
25	(.429)	.5085	(.300)
37	(.579)	.6585	(.450)
51	(.754)	.8335	(.625)
65	(.929)	1.0085	(.800)



- 1. SHELL OPTIONS (TO BE SPECIFIED IN NANONICS PART NUMBER):
 METAL: 6061-T6 ALUMINUM, ELECTROLESS NICKEL PLATED PER MIL-C-26074 (STANDARD) OR GOLD PLATED PER MIL-G-45204
 303 STAINLESS STEEL, PASSIVATED PER SAE-AMS-QQ-P-35
 INSULATOR MATERIAL FOR ALL METAL SHELLS IS LIQUID CRYSTAL POLYMER (LCP) PER MIL-M-24519 OR PER ASTM D5138
 PLASTIC: LIQUID CRYSTAL POLYMER (LCP) PER MIL-M-24519 OR PER ASTM D5138
- 2. STANDARD 1.00UNM CAPTIVE JACKSCREWS ARE SHOWN FOR REFERENCE ONLY AND MUST BE SPECIFIED IN THE NANONICS PART NUMBER WHEN REQUIRED. JACKSCREW MATERIAL IS 303 STAINLESS STEEL, PASSIVATED PER SAE-AMS-QQ-P-35, AND DRY LUBED PER DOD-L-85645. RETAINING RING IS 17-4 STAINLESS STEEL, PASSIVATED PER SAE-AMS-QQ-P-35. JACKSCREWS HAVE A .9mm HEX SOCKET HEAD. 1.20UNM JACKSCREWS ALSO AVAILABLE.
- 3. THIS CONFIGURATION MAY BE TERMINATED WITH 28 AWG SOLID, 30 AWG STRANDED, SMALLER WIRE, OR RIBBON CABLE. STANDARD WIRING IS HIGH TO LOW IN ROW. EXAMPLE: FOR 15 POS JUMPER, WIRING IN THE TOP ROW WILL BE P1-1 TO P2-7, P1-2 TO P2-6, P1-3 TO P2-5, ETC. WIRING IN THE LOWER ROW WILL BE P1-8 TO P2-15, P1-9 TO P2-14, P1-10 TO P2-13, ETC.
- 4. THIS CONFIGURATION HAS THE SAME CONNECTOR TYPE TERMINATED TO EACH END OF THE JUMPER ASSEMBLY.
- 5. LENGTH TOLERANCE: UP TO 25.0 INCHES, ±.25; 25.0 INCHES AND LONGER, ±1%
- 6. DIMENSIONS TYPICAL FOR BOTH CONNECTORS.

THIS DRAWING IS A CONTROLLED DOCUMENT.		DWN D. MORALES 05-22-03	 Tyco Electronics Corporation Harrisburg, PA 17105																		
DIMENSIONS: INCHES		CHK H. ABEE 05-22-03																			
TOLERANCES UNLESS OTHERWISE SPECIFIED:		APVD D. MORALES 05-22-03	NAME D. MORALES																		
<table border="1"> <tr><td>0 PLC</td><td>±</td><td>-</td></tr> <tr><td>1 PLC</td><td>±</td><td>-</td></tr> <tr><td>2 PLC</td><td>±</td><td>.010</td></tr> <tr><td>3 PLC</td><td>±</td><td>.005</td></tr> <tr><td>4 PLC</td><td>±</td><td>-</td></tr> <tr><td>ANGLES</td><td>±</td><td>1°</td></tr> </table>		0 PLC	±	-	1 PLC	±	-	2 PLC	±	.010	3 PLC	±	.005	4 PLC	±	-	ANGLES	±	1°	PRODUCT SPEC -	JUMPER ASSEMBLY, PLUG TO PLUG, TWO ROW DUALLOBE, PLASTIC OR METAL, HIGH TO LOW IN ROW
0 PLC	±	-																			
1 PLC	±	-																			
2 PLC	±	.010																			
3 PLC	±	.005																			
4 PLC	±	-																			
ANGLES	±	1°																			
MATERIAL SEE NOTES		FINISH SEE NOTES	SCALE 6:1																		
SEE NOTES		WEIGHT -	SHEET 1 OF 1																		
SEE NOTES		CUSTOMER DRAWING	RESTRICTED TO -																		
SEE NOTES		SIZE A2	REV C																		
SEE NOTES		CAGE CODE 00779																			
SEE NOTES		DRAWING NO 1589798																			

X-ON Electronics

Largest Supplier of Electrical and Electronic Components

Click to view similar products for [Ribbon Cables / IDC Cables](#) category:

Click to view products by [TE Connectivity](#) manufacturer:

Other Similar products are found below :

[FSK-12A](#) [AWG28-10G](#) [EHJ3C](#) [EHJ4C](#) [cab-LVDV-PWR-10-15](#) [FSP-25A](#) [3365/15 \(100FT\)](#) [cab-LVDV-DAT-34-15](#) [49635-C62-S2](#) [1-3636-600-5204](#) [92315-1408](#) [426171120-3](#) [3625/08 \(100M\)](#) [0044704](#) [2-1589735-3](#) [JSM015PP2DCC23N](#) [92301-0283](#) [ACL-eSSI-2](#) [92301-0718](#) [MMSDT-06-20-S-05.5-D-K-LDX](#) [IDD-04-G](#) [NM-2J2-051-PS1-JJAB](#) [1700/14SF \(100FT\)](#) [1700/26SF \(100FT\)](#) [1700/34SF \(100FT\)](#) [3801/09 \(100FT\)](#) [119-885](#) [DS1057-06A282R-30.5](#) [DS1057-08A282R-76.5](#) [DS1057-09A282R-30.5](#) [DS1057-12A282R-30.5](#) [DS1057-14A282R-76.5](#) [DS1057-20A282R-76.5](#) [DS1057-24A282R-76.5](#) [DS1057-26A282R-76.5](#) [DS1057-30A282R-76.5](#) [DS1057-34A282R-76.5](#) [DS1057-40A282R-76.5](#) [DS1057-60A282R-76.5](#) [DS1057-64A282R-76.5](#) [DS1058-08M28-30.5](#) [DS1058-30M28-30.5](#) [3750/10 \(100FT\)](#) [0015712](#) [0015905](#) [S30109](#) [11203](#) [11223](#) [11243](#) [11262](#)