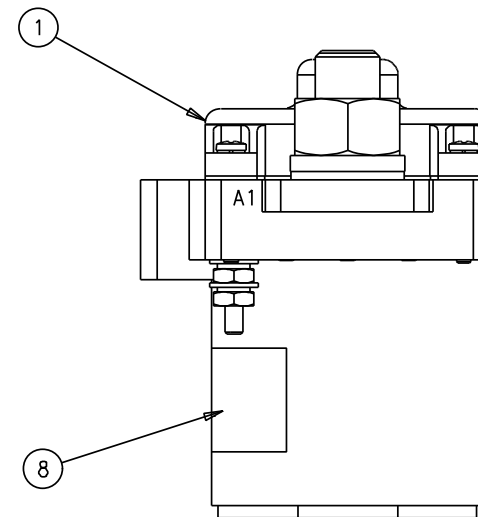
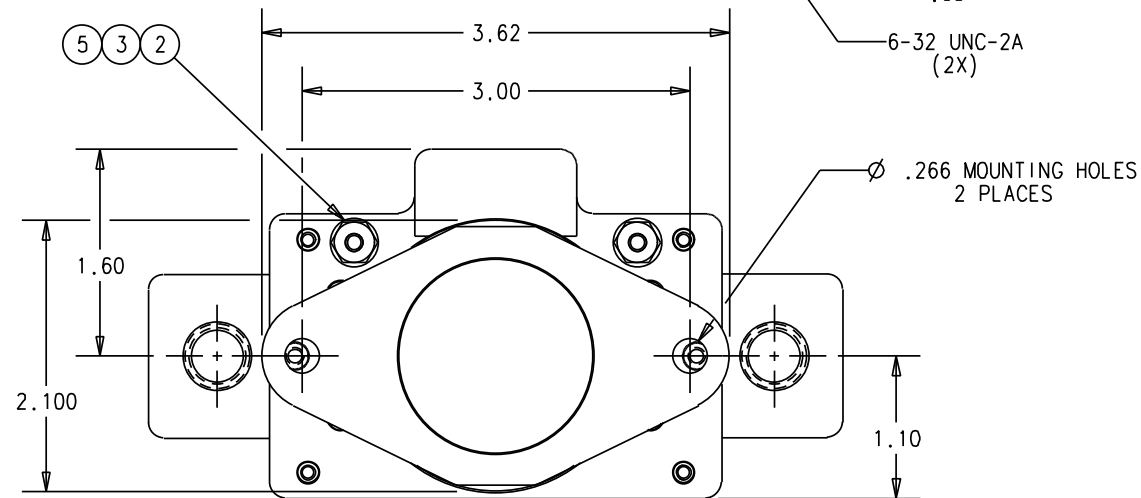
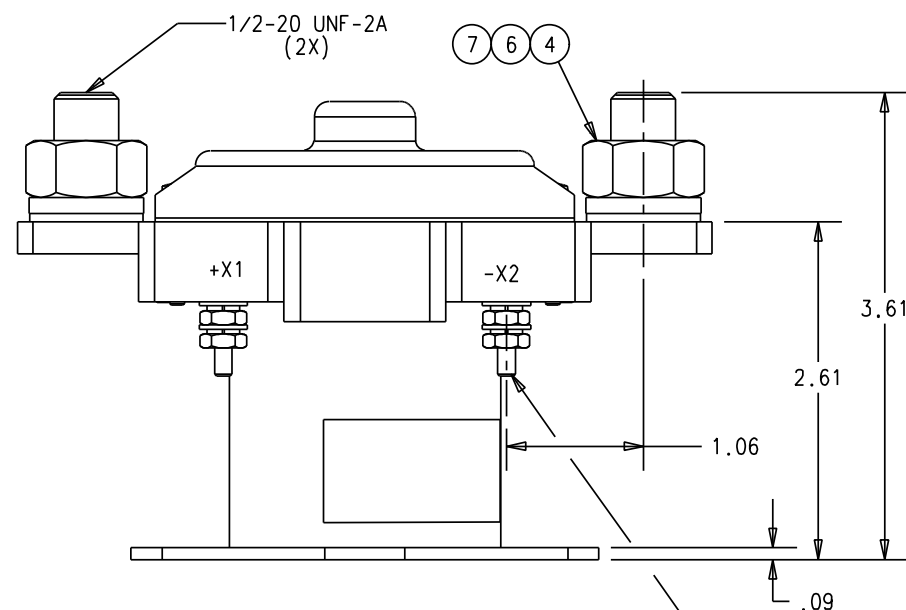
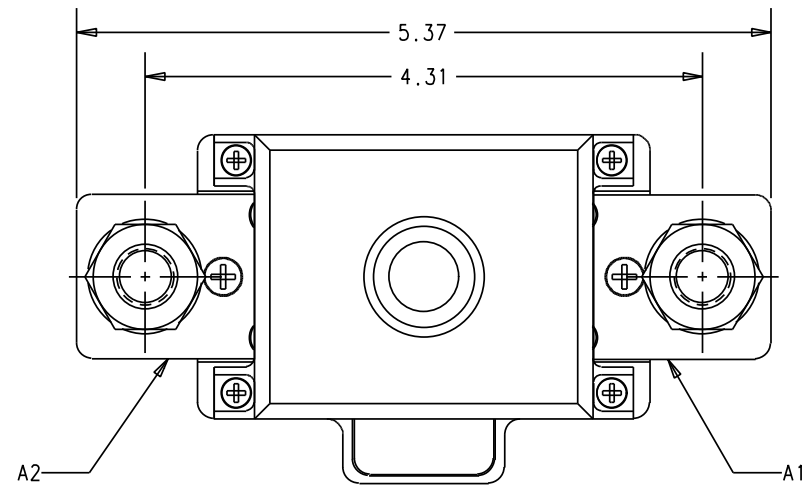


REV. NO.		DESCRIPTION	DATE	APPROVED
A	08-020282	RELEASE	08/09/17	CB
B	09-005653	ADDED INSTALLATION NOTES	09/02/04	CB



CONSTRUCTION GASKET SEALED

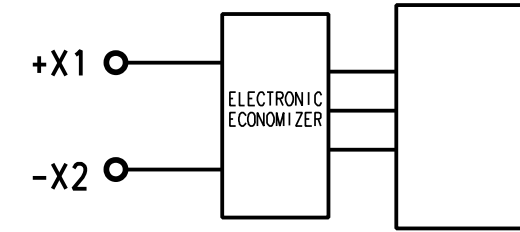
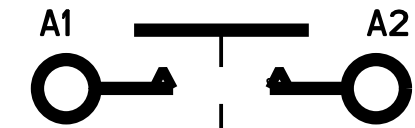
MAIN CONTACTS CONFIGURATION SPST N.O. (DOUBLE BREAK)
 VOLTAGE 28 VDC
 CURRENT RESISTIVE 1000 A

COIL DATA DUTY CYCLE CONTINUOUS (ECONOMIZED)
 NOM. OPERATE VOLTAGE 28 VDC
 MAX. PICKUP VOLTAGE 18 VDC (@25°C)
 DROPOUT VOLTAGE 1-8 VDC
 CURRENT 7.0 A MAX AT 30 VDC - INRUSH
 1.0 A MAX AT 30 VDC - HOLD

ENVIRONMENTAL DATA TEMPERATURE -51°C TO 71°C

LIFE ELECTRICAL 50,000 CYCLES
 LIFE MECHANICAL 100,000 CYCLES

WEIGHT, MAX 2.75 LBS



INSTALLATION NOTES:
 RECOMMENDED TORQUE FOR TERMINATIONS;
 1/2-20 UNF-2A = 112 IN-LBS
 6-32 UNC-2A = 7.5 IN-LBS

FIND NO	QTY	PART OR IDENTIFYING NO	NOMENCLATURE OR DESCRIPTION	DRAWING OR SPECIFICATION	FSCM NO	TE PART NO	MATERIAL OR NOTE
8	1	16043-001	PLATE-NAME			3-1616169-5	
7	2	MS35650-3395T	NUT 1/2-20, .812 HEX, .43 THK			1-1616454-9	
6	2	MS35338-105	LOCK WASHER - SPLIT 1/2			1-1616454-9	
5	2	MS35338-98	WASHER - LOCK			1-1616454-3	
4	2	AN961-816T	WASHER, .52 ID, .88 OD, .064 THK			1616413-5	
3	2	AN961-6T	WASHER FLAT			1616413-4	
2	2	50406-071	NUT, 6-32			4-1616337-6	
1	1	46095-170	CONTACTOR ASSEMBLY PRIMARY			1616967-3	

UNLESS OTHERWISE SPECIFIED DIMENSIONS ARE IN INCHES TOLERANCES ON		DR BY JMK 07/11/15		 Hartman Division 175 N. DIAMOND STREET MANSFIELD, OHIO 44902
2 PL DEC. 3 PL DEC. ANGLES	± .02 ± .005 ± 1°	CHK BY CB 09/02/04	ENGR RRG 09/12/08	
		MFG DWA 09/02/04	CONTACTOR SPST N.O. (DOUBLE BREAK) 1000A	
SIZE B	CODE IDENT 74063	DWG NO. K-1000A1F03		
SCALE 1:1 SHEET 1/1		REF TE PN 4-1616966-1		

X-ON Electronics

Largest Supplier of Electrical and Electronic Components

Click to view similar products for [Contactors - Electromechanical category:](#)

Click to view products by [TE Connectivity manufacturer:](#)

Other Similar products are found below :

[6-1618400-7](#) [686-117111](#) [686-120111](#) [686-924](#) [686-948](#) [70-901](#) [70-914](#) [MB-3D-6](#) [MC-22A/4-AC120V](#) [8-1616943-9](#) [8-1672124-5](#)
[A40-30-10-84](#) [120-905](#) [A701U](#) [120-904](#) [1393132-9](#) [154-905](#) [154-912](#) [154-913](#) [154-915](#) [154-902](#) [154-910](#) [AVR743D](#) [B6-40-00-84](#) [B7-40-00-84](#) [1616017-5](#) [1616021-1](#) [MVDILM](#) [HP-11D-24](#) [P25-E5019-1](#) [P30C47A12D1-120](#) [P40C47A12D1-120](#) [P40P47D13P1-24-01](#) [CA7-12-10-240](#) [CA7-72-00-24Z](#) [90-162](#) [9-1393132-2](#) [2NC4F0222](#) [A275KXXV2-120VAC](#) [ACC338UMM20](#) [AF80-30-11-13](#) [SZ-B1](#) [CGC-9A-120](#) [3GC2H0M22](#) [3NC0T0A22](#) [3NC1Q0A22](#) [3NC2H0A22](#) [3NC2T0122/SE](#) [3TF3400-0BB4](#) [MC-12B-DC24V](#)