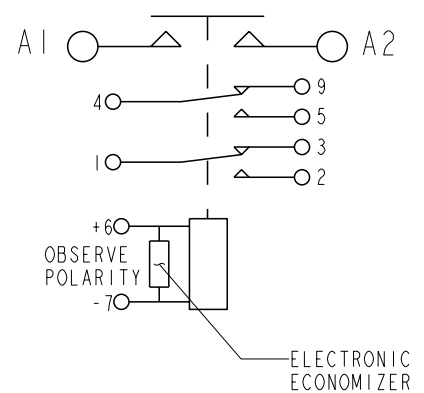
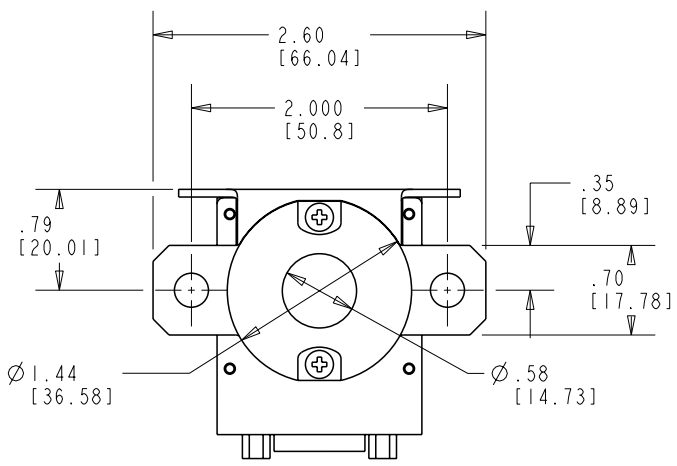


K200A3C

REV. D

REVISIONS		RELEASED		APPROVED
REV.	DESCRIPTION	DATE		
A	RELEASE TO PRODUCTION FROM REV.5	15/08/06		RSS
B	18-017475 CORRECTED MATING CONNECTOR CALLOUT	18/11/06		AH
C	19-003372 ADDED METRIC UNITS FOR DIM AND WEIGHT	19/03/04		AH
D	19-007176 SPECIFICATION NOTES UPDATED	19/05/08		AH



**CONSTRUCTION** GASKET SEALED

**MAIN CONTACTS CONFIGURATION** SPST N.O. (DOUBLE BREAK)

**VOLTAGE** 28 VDC

**CURRENT** 200 AMPS

**RESISTIVE MOTORLOAD OVERLOAD** 120 AMPS PER MIL-PRF-6106  
1600 AMPS PER MIL-PRF-6106

**RUPTURE** 2000 AMPS

**COIL DATA** CONTINUOUS (ECONOMIZED)

**DUTY CYCLE** 32 VDC

**MAX. OPERATE VOLTAGE** 28 VDC

**NOMINAL OPERATE VOLTAGE** 28 VDC

**PICKUP VOLTAGE** 18 VDC MAX

**DROP VOLTAGE** 1-9 VDC

**PICKUP TIME** 15 mS

**DROPOUT TIME** 15 mS

**COIL CURRENT** 5 AMPS MAX AT 28 VDC & 25°C

**INRUSH HOLD SUPPRESSION** 300 mA MAX AT 28 VDC & 25°C  
±45 VDC

**AUX CONTACTS CONFIGURATION** 2 SPDT

**VOLTAGE** 28 VDC

**CURRENT RESISTIVE** 3 AMPS

**LOW LEVEL** 1 mA AT 28 VDC

**ENVIRONMENTAL DATA**

**TEMPERATURE** -55°C TO +85°C

**ALTITUDE** 50,000 FEET [15,240M]

**LIFE ELECTRICAL** 50,000 CYCLES MIN.

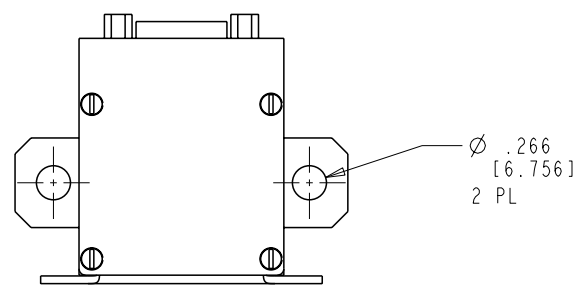
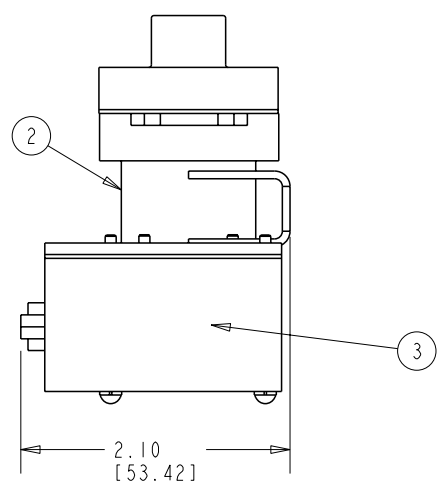
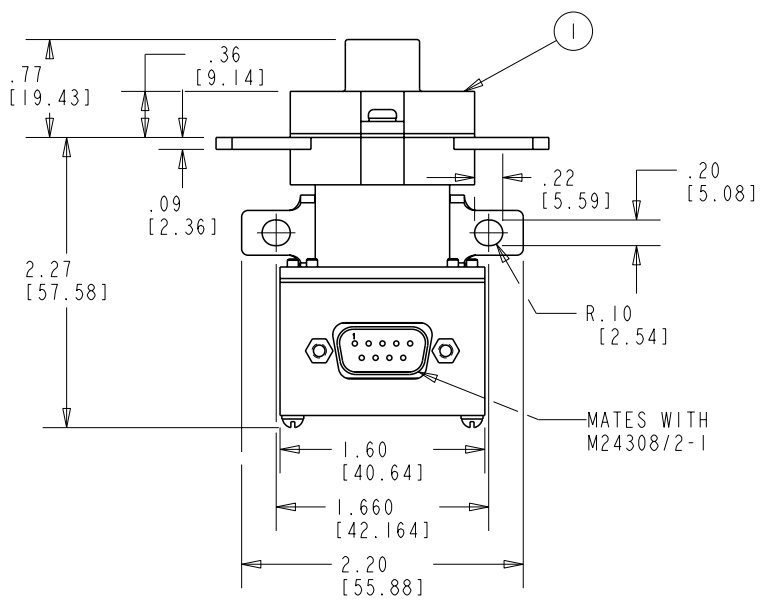
**LIFE MECHANICAL** 100,000 CYCLES MIN.

**MAX WEIGHT** .43 LBS (195g)

**NOTES**

1. AUXILIARY CONTACTS ARE GOLD PLATED.

2. 1 MILLIAMPERE RATING DOES NOT APPLY IF CONTACTS HAVE SWITCHED LOADS ABOVE 1 MILLIAMPERE



3	I	48103-002	SCHEMATIC DIAGRAM			8-1616990-3		
2	I	48102-004	NAME PLATE			9-1616977-1		
1	I	48057-050	PRIMARY ASSEMBLY			8-1616977-3		
FIND NO	QTY RECD	PART OR IDENTIFYING NO	NOMENCLATURE OR DESCRIPTION	DRAWING OR SPECIFICATION	FSCM NO	TE PART NO	MATERIAL OR NOTE	
UNLESS OTHERWISE SPECIFIED DIMENSIONS ARE IN INCHES TOLERANCES ON			 Hartman Division 175 N. DIAMOND STREET MANSFIELD, OHIO 44902				CONTACTOR - SPST N.O. DB 200 AMP, 28 VDC	
2 PL DEC. 13 PL DEC. ANGLES								
±.06	±.010	± 1°	DR BY RV 15/08/06 CHK BY MDM 15/08/07 ENGR RSS 15/08/06 MFG DWA 15/08/10	SIZE A CODE IDENT 74063		DWG NO. K200A3C		
SCALE NONE SHEET 1 OF 1			REF TE PN		8-1616977-1			

## X-ON Electronics

Largest Supplier of Electrical and Electronic Components

*Click to view similar products for [Contactors - Electromechanical category](#):*

*Click to view products by [TE Connectivity manufacturer](#):*

Other Similar products are found below :

[6-1618400-7](#) [686-117111](#) [686-120111](#) [686-924](#) [686-948](#) [70-901](#) [70-914](#) [MB-3D-6](#) [MC-22A/4-AC120V](#) [8-1616943-9](#) [8-1672124-5](#)  
[A40-30-10-84](#) [120-905](#) [A701U](#) [120-904](#) [1393132-9](#) [154-905](#) [154-912](#) [154-913](#) [154-915](#) [154-902](#) [154-910](#) [AVR743D](#) [B6-40-00-84](#) [B7-40-00-84](#) [1616017-5](#) [1616021-1](#) [MVDILM](#) [HP-11D-24](#) [P25-E5019-1](#) [P30C47A12D1-120](#) [P40C47A12D1-120](#) [P40P47D13P1-24-01](#) [CA7-12-10-240](#) [CA7-72-00-24Z](#) [90-162](#) [9-1393132-2](#) [2NC4F0222](#) [A275KXXV2-120VAC](#) [ACC338UMM20](#) [AF80-30-11-13](#) [SZ-B1](#) [CGC-9A-120](#) [3GC2H0M22](#) [3NC0T0A22](#) [3NC1Q0A22](#) [3NC2H0A22](#) [3NC2T0122/SE](#) [3TF3400-0BB4](#) [MC-12B-DC24V](#)