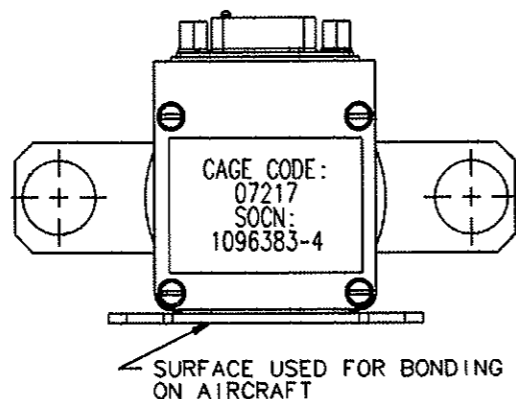
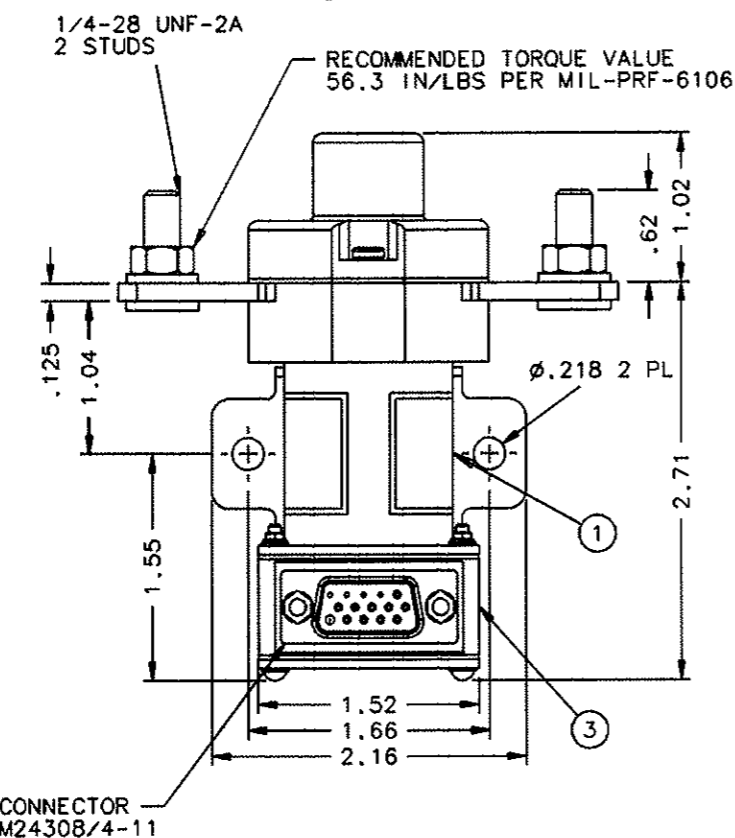
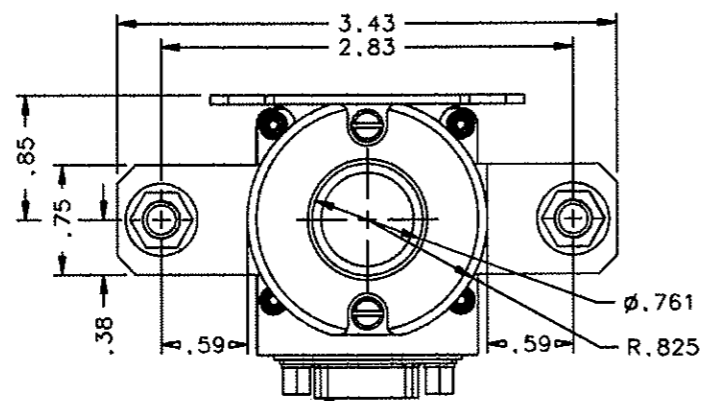


REVISIONS		RELEASED	
SYM	DESCRIPTION	DATE	APPROVED
A	46826 REMOVED PRELIMINARY DRAWING	02/02/26	CC
B	0040-03 QTY OF ITEM 4 WAS 1	03/01/13	CC
C	0568-04 REMOVED ITEM 4	04/07/06	CS



CONSTRUCTION  
MAIN CONTACTS  
CONFIGURATION  
VOLTAGE  
CURRENT

GASKET SEALED  
SPST N.O. (DOUBLE BREAK)  
28 VDC

RESISTIVE OVERLOAD  
INRUSH RUPTURE

300 AMPS  
450 AMPS FOR 5 MIN.  
1000 AMPS FOR 10 SEC.  
1500 AMPS  
3000 AMPS

AUXILIARY CONTACTS  
CONFIGURATION  
VOLTAGE  
CURRENT

2 N.O., 2 N.C.  
28 VDC

RESISTIVE INDUCTIVE LAMP LOW LEVEL

5 AMPS  
2 AMPS  
1 AMP  
1 mA AT 28 VDC

COIL DATA

CONTINUOUS (ECONOMIZED)

DUTY CYCLE  
MAX OPERATE VOLTAGE  
NOM OPERATE VOLTAGE  
MAX PICKUP VOLTAGE

32 VDC  
28 VDC  
13 VDC AT 20°C (FIRST APPLICATION)  
16 VDC AT 85°C  
9 VDC MAX

DROPOUT VOLTAGE  
COIL CURRENT  
INRUSH HOLD

8 AMP MAX AT 32 VDC AND -40°C  
650 mA MAX AT 32 VDC AND 25°C  
35 mSEC MAX AT 18 TO 32 VDC  
20 mSEC MAX AT 28 VDC  
5 mSEC MAX AT 18 TO 32 VDC

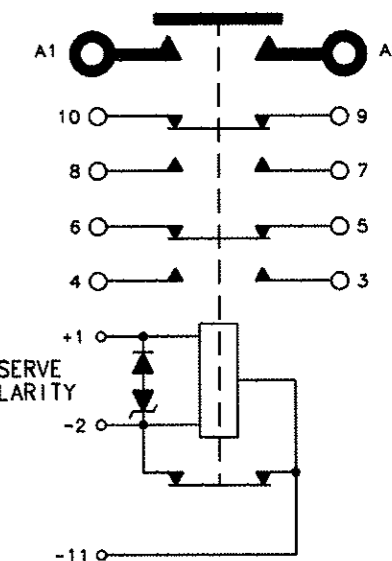
OPERATE TIME  
RELEASE TIME  
BOUNCE TIME

ENVIRONMENTAL DATA  
TEMPERATURE  
ALTITUDE

-55°C TO 85°C  
50,000 FEET

LIFE ELECTRICAL  
LIFE MECHANICAL  
WEIGHT MAX EST.

50,000 CYCLES MIN.  
100,000 CYCLES MIN.  
.77 LBS.



NOTES:

1. COIL TRANSIENT VOLTAGE LIMITED TO ±42 VOLTS REFERENCED TO ZERO VOLTS.
2. AUXILIARY CONTACTS ARE GOLD PLATED.
3. 1 MILLIAMPERE RATING DOES NOT APPLY IF CONTACTS HAVE SWITCHED LOADS ABOVE 1 MILLIAMPERE.
4. CONNECTION -11 IS PROVIDED TO ENSURE OPTIMUM PERFORMANCE DURING STARTING. WHEN USED AS A START CONTACTOR, POSITIVE VOLTAGE IS APPLIED TO CONNECTION +1, AND NEGATIVE TO CONNECTION -11. FOR CONTINUOUS DUTY OPERATION, POSITIVE VOLTAGE IS APPLIED TO CONNECTION +1, AND NEGATIVE TO CONNECTION -2.
5. IF CONNECTION -11 IS USED, THE COILS DUTY CYCLE IS INTERMITTENT.
6. THIS CONTACTOR IS DESIGNED TO HONEYWELL DRAWING NO. 1152620 AND HONEYWELL TECHNICAL SPEC NO. 99E0018
7. USE STAMP 57225-001 AT FINAL INSPECTION

QTY	PART OR IDENTIFYING NO	NOMENCLATURE OR DESCRIPTION	CAGE NO	DRAWING OR SPECIFICATION	MATERIAL OR NOTE
6	2	51807-034		WASHER - LOCK NO. 1/4 SPLIT TYP.	BRONZE
5	2	50407-074		NUT 1/4-28 X 3/8 X 3/16 HEX	BRASS
4					
3	1	44898-060		CONTACTOR ASSEMBLY - PRIMARY	
2	1	44900-003		PLATE - SCHEMATIC DIAGRAM	
1	1	44899-007		PLATE - NAME	

UNLESS OTHERWISE SPECIFIED DIMENSIONS ARE IN INCHES TOLERANCES ON			
2 PL DEC. 3 PL DEC. ANGLES		DR BY CSC 03/01/20 CHK BY CC 03/01/23 ENGR RSS 03/01/23 MFG MH 03/01/23	
±.06	±.010	SIZE	CODE IDENT
		C	74063
MATERIAL		SCALE NONE SHEET	
		REF TYCO P/N 0-1616068-4	

Hortman Division - 125 N. DIAMOND STREET - MANSFIELD, OHIO 44902

CONTACTOR - SPST N.O. DB  
300 AMP, 28 VDC 093

DWG NO. K-300A5C-6

## X-ON Electronics

Largest Supplier of Electrical and Electronic Components

*Click to view similar products for* [Contactors - Electromechanical category:](#)

*Click to view products by* [TE Connectivity manufacturer:](#)

Other Similar products are found below :

[6-1618400-7](#) [686-117111](#) [686-120111](#) [686-924](#) [686-948](#) [70-901](#) [70-914](#) [MB-3D-6](#) [MC-22A/4-AC120V](#) [8-1616943-9](#) [8-1672124-5](#)  
[A40-30-10-84](#) [120-905](#) [A701U](#) [120-904](#) [1393132-9](#) [154-905](#) [154-912](#) [154-913](#) [154-915](#) [154-902](#) [154-910](#) [AVR743D](#) [B6-40-00-84](#) [B7-40-00-84](#) [1616017-5](#) [1616021-1](#) [MVDILM](#) [HP-11D-24](#) [P25-E5019-1](#) [P30C47A12D1-120](#) [P40C47A12D1-120](#) [P40P47D13P1-24-01](#) [CA7-12-10-240](#) [CA7-72-00-24Z](#) [90-162](#) [9-1393132-2](#) [2NC4F0222](#) [A275KXXV2-120VAC](#) [ACC338UMM20](#) [AF80-30-11-13](#) [SZ-B1](#) [CGC-9A-120](#) [3GC2H0M22](#) [3NC0T0A22](#) [3NC1Q0A22](#) [3NC2H0A22](#) [3NC2T0122/SE](#) [3TF3400-0BB4](#) [MC-12B-DC24V](#)