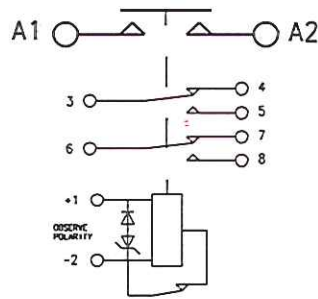
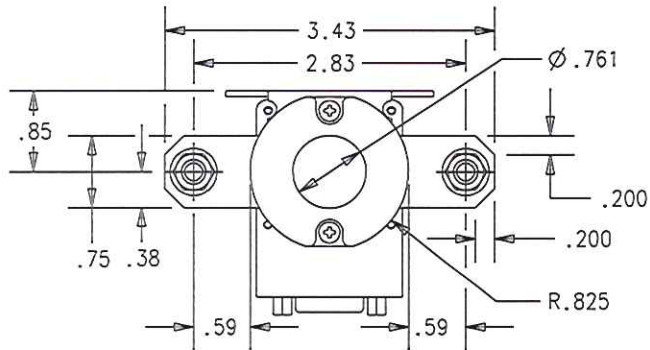


REVISIONS		RELEASED	
REV.	DESCRIPTION	DATE	APPROVED
A	RELEASE TO PRODUCTION	11-08-18	C.B.



CONSTRUCTION GASKET SEALED

MAIN CONTACTS CONFIGURATION SPST N.O. (DOUBLE BREAK)

VOLTAGE 28 VDC

CURRENT RESISTIVE 400 AMPS

OVERLOAD 450 AMPS FOR 5 MIN

1000 AMPS FOR 10 SEC.

INRUSH 1500 AMPS

RUPTURE 4000 AMPS

AUXILIARY CONTACTS CONFIGURATION 2 FORM C

VOLTAGE 28 VDC

CURRENT RESISTIVE 5 AMPS

INDUCTIVE 2 AMPS

LAMP 1 AMP

LOW LEVEL 1 mA AT 28 VDC

COIL DATA DUTY CYCLE CONTINUOUS (ECONOMIZED)

MAX OPERATE VOLTAGE 32 VDC

NOM OPERATE VOLTAGE 28 VDC

MAX PICKUP VOLTAGE 13 VDC AT 20°C (FIRST APPLICATION)

16 VDC AT 85°C

DROPOUT VOLTAGE 9 VDC MAX

COIL CURRENT INRUSH 6 AMP MAX AT 32 VDC AND -40°C

HOLD 500 mA MAX AT 32 VDC AND 25°C

OPERATE TIME 35 mSEC MAX AT 18 TO 32 VDC

RELEASE TIME 20 mSEC MAX AT 28 VDC

BOUNCE TIME 5 mSEC MAX AT 18 TO 32 VDC

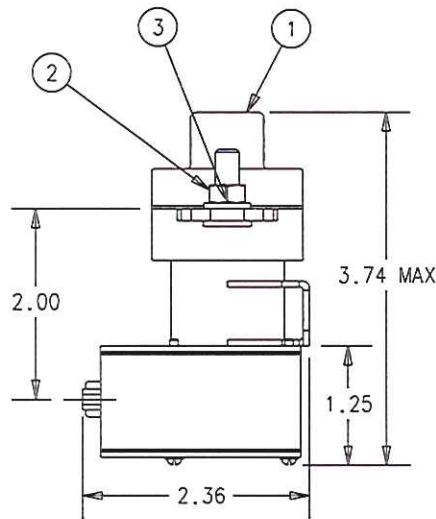
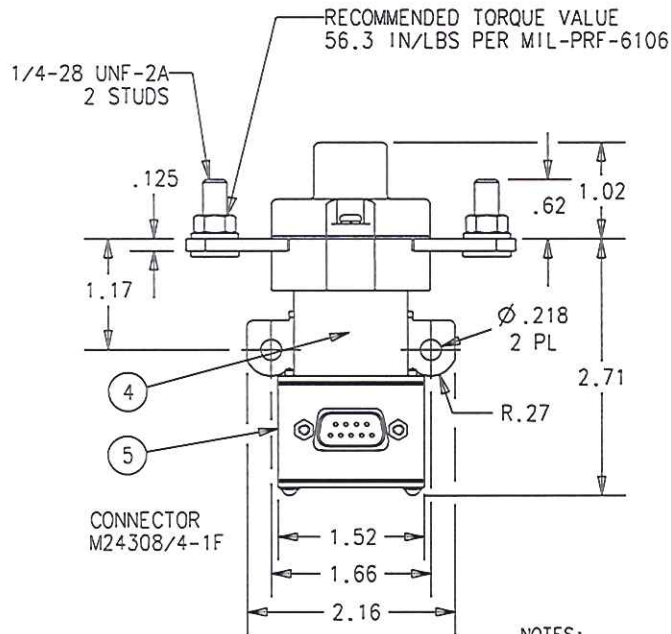
ENVIRONMENTAL DATA TEMPERATURE -55°C TO 85°C

ALTITUDE 50,000 FEET

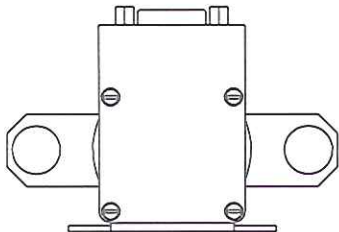
LIFE ELECTRICAL 50,000 CYCLES MIN.

LIFE MECHANICAL 100,000 CYCLES MIN.

WEIGHT MAX EST. .77 LBS



- NOTES:
1. COIL TRANSIENT VOLTAGE LIMITED TO ±42 VOLTS REFERENCED TO ZERO VOLTS.
  2. AUXILIARY CONTACTS ARE GOLD PLATED.
  3. 1 MILLIAMPERE RATING DOES NOT APPLY IF CONTACTS HAVE SWITCHED LOADS ABOVE 1 MILLIAMPERE.



5	1	44900-015	SCHEMATIC DIAGRAM			9-1616970-4	
4	1	44899-026	NAME PLATE			9-1616970-3	
3	2	51807-034	LOCKWASHER, 1/4 SPLIT			3-1616360-0	
2	2	50407-074	NUT 1/4-28 3/8 X 3/16 HEX			9-1616337-0	
1	1	47619-080	PRIMARY ASSEMBLY			7-1616968-5	
FINO NO	QTY RECD	PART OR IDENTIFYING NO	NOMENCLATURE OR DESCRIPTION	DRAWING OR SPECIFICATION	FSC# NO	TE PART NO	MATERIAL OR NOTE
UNLESS OTHERWISE SPECIFIED DIMENSIONS ARE IN INCHES TOLERANCES ON			 Harmon Division 175 N. DIAMOND STREET MANSFIELD, OHIO 44902				
2 PL DEC.	3 PL DEC.	ANGLES					
±.06	±.010	± 1°					
DR BY			RSS	06-06-23	CONTACTOR - SPST N.O. DB 400 AMP, 28 VDC		
CHK BY			C.B.	11-08-18			
ENGR			RSS	06-06-23			
MFG			SBA	01-03-18	DWG NO. K4001A3C		
SIZE			A	CODE IDENT			74063
SCALE 1:2			SHEET 1 OF 1		REF TE PN 6-1616968-5		

## X-ON Electronics

Largest Supplier of Electrical and Electronic Components

*Click to view similar products for* [Contactors - Electromechanical category:](#)

*Click to view products by* [TE Connectivity manufacturer:](#)

Other Similar products are found below :

[6-1618400-7](#) [686-117111](#) [686-120111](#) [686-924](#) [686-948](#) [70-901](#) [70-914](#) [MB-3D-6](#) [MC-22A/4-AC120V](#) [8-1616943-9](#) [8-1672124-5](#)  
[A40-30-10-84](#) [120-905](#) [A701U](#) [120-904](#) [1393132-9](#) [154-905](#) [154-912](#) [154-913](#) [154-915](#) [154-902](#) [154-910](#) [AVR743D](#) [B6-40-00-84](#) [B7-40-00-84](#) [1616017-5](#) [1616021-1](#) [MVDILM](#) [HP-11D-24](#) [P25-E5019-1](#) [P30C47A12D1-120](#) [P40C47A12D1-120](#) [P40P47D13P1-24-01](#) [CA7-12-10-240](#) [CA7-72-00-24Z](#) [90-162](#) [9-1393132-2](#) [2NC4F0222](#) [A275KXXV2-120VAC](#) [ACC338UMM20](#) [AF80-30-11-13](#) [SZ-B1](#) [CGC-9A-120](#) [3GC2H0M22](#) [3NC0T0A22](#) [3NC1Q0A22](#) [3NC2H0A22](#) [3NC2T0122/SE](#) [3TF3400-0BB4](#) [MC-12B-DC24V](#)