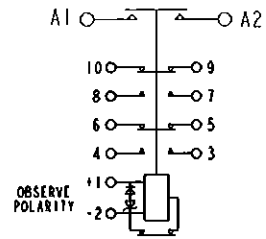
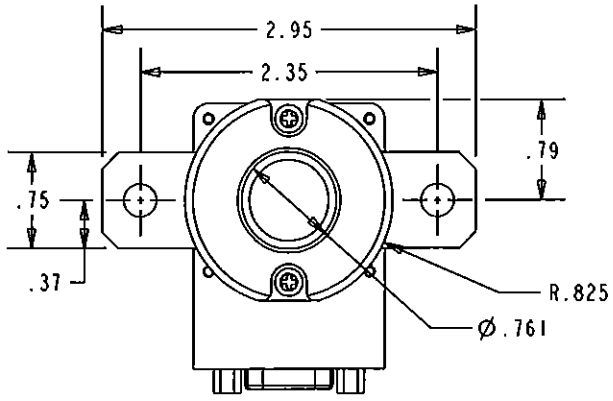


REVISIONS		RELEASED	APPROVED
REV.	DESCRIPTION	DATE	
A	RELEASED TO PRODUCTION	13-01-16	MDM



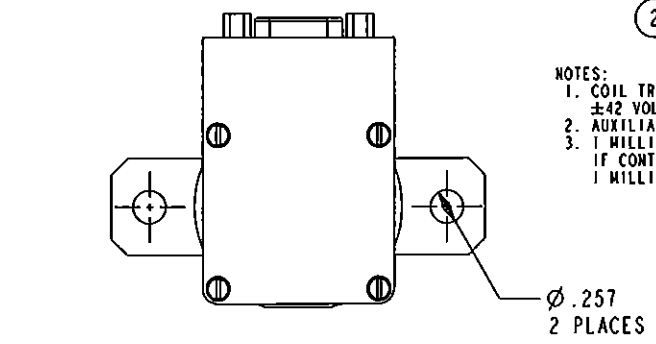
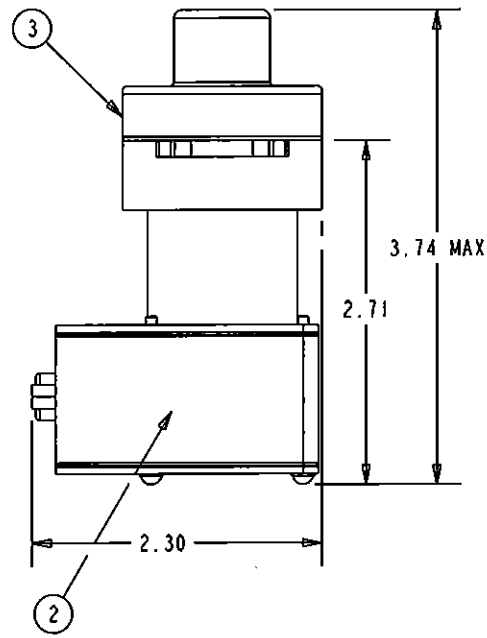
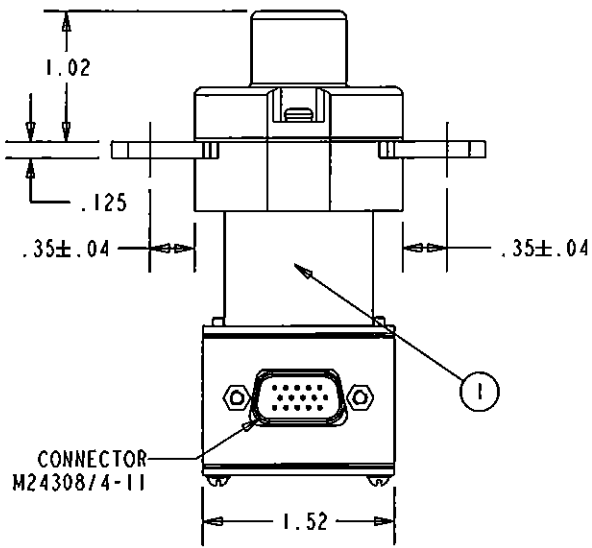
**CONSTRUCTION**  
**MAIN CONTACTS**  
 CONFIGURATION SPST N.O. (DOUBLE BREAK)  
 VOLTAGE 28 VDC  
 CURRENT RESISTIVE 400 AMPS  
 OVERLOAD 450 AMPS FOR 5 MIN  
 1000 AMPS FOR 10 SEC.  
 INRUSH 1500 AMPS  
 RUPTURE 4000 AMPS

**AUXILIARY CONTACTS**  
 CONFIGURATION 2 N.O., 2 N.C.  
 VOLTAGE 28 VDC  
 CURRENT RESISTIVE 5 AMPS  
 INDUCTIVE 2 AMPS  
 LAMP 1 AMP  
 LOW LEVEL 1 mA AT 28 VDC

**COIL DATA**  
 DUTY CYCLE CONTINUOUS (ECONOMIZED)  
 MAX OPERATE VOLTAGE 32 VDC  
 NOM OPERATE VOLTAGE 28 VDC  
 MAX PICKUP VOLTAGE 13 VDC AT 20°C (FIRST APPLICATION)  
 16 VDC AT 85°C  
 DROPOUT VOLTAGE 9 VDC MAX  
 COIL CURRENT INRUSH 8 AMP MAX AT 32 VDC AND -40°C  
 HOLD 650 mA MAX AT 32 VDC AND 25°C  
 OPERATE TIME 35 mSEC MAX AT 18 TO 32 VDC  
 RELEASE TIME 20 mSEC MAX AT 28 VDC  
 BOUNCE TIME 5 mSEC MAX AT 18 TO 32 VDC

**ENVIRONMENTAL DATA**  
 TEMPERATURE -55°C TO 85°C  
 ALTITUDE 50,000 FEET

**LIFE ELECTRICAL** 50,000 CYCLES MIN.  
**LIFE MECHANICAL** 100,000 CYCLES MIN.  
**WEIGHT MAX EST.** .61 LBS



- NOTES:  
 1. COIL TRANSIENT VOLTAGE LIMITED TO ±42 VOLTS REFERENCED TO ZERO VOLTS.  
 2. AUXILIARY CONTACTS ARE GOLD PLATED.  
 3. 1 MILLIAMPERE RATING DOES NOT APPLY IF CONTACTS HAVE SWITCHED LOADS ABOVE 1 MILLIAMPERE.

FIND NO	QTY	RECD	PART OR IDENTIFYING NO	NOMENCLATURE OR DESCRIPTION	DRAWING OR SPECIFICATION	FSC#	TE PART NO	MATERIAL OR NOTE
3	1		47619-130	PRIMARY ASSEMBLY				9-1616983-1
2	1		44900-018	SCHEMATIC DIAGRAM				4-1616974-7
1	1		44899-036	NAME PLATE				9-1616983-9

UNLESS OTHERWISE SPECIFIED DIMENSIONS ARE IN INCHES TOLERANCES ON			28 Harlan Drive, 175 N. Diamond Street Mansfield, Ohio 44902		
2 PL DEC.	.3 PL DEC.	ANGLES			
±.06	±.010	± 1'	DR BY	RSS	11-06-07
			CHK BY	MDM	13-01-18
			ENGR	RSS	11-06-07
			MFG	DWA	13-01-18
SIZE	CODE IDENT	DWG NO.	CONTACTOR - SPST N.O. DB		
A	74063	K4001B5C2	400 AMP, 28 VDC		
SCALE 2:3	SHEET 1 OF 1	REF TE PN	8-1616982-7		

## X-ON Electronics

Largest Supplier of Electrical and Electronic Components

*Click to view similar products for* [Contactors - Electromechanical category:](#)

*Click to view products by* [TE Connectivity manufacturer:](#)

Other Similar products are found below :

[6-1618400-7](#) [686-117111](#) [686-120111](#) [686-924](#) [686-948](#) [70-901](#) [70-914](#) [MB-3D-6](#) [MC-22A/4-AC120V](#) [8-1616943-9](#) [8-1672124-5](#)  
[A40-30-10-84](#) [120-905](#) [A701U](#) [120-904](#) [1393132-9](#) [154-905](#) [154-912](#) [154-913](#) [154-915](#) [154-902](#) [154-910](#) [AVR743D](#) [B6-40-00-84](#) [B7-40-00-84](#) [1616017-5](#) [1616021-1](#) [MVDILM](#) [HP-11D-24](#) [P25-E5019-1](#) [P30C47A12D1-120](#) [P40C47A12D1-120](#) [P40P47D13P1-24-01](#) [CA7-12-10-240](#) [CA7-72-00-24Z](#) [90-162](#) [9-1393132-2](#) [2NC4F0222](#) [A275KXXV2-120VAC](#) [ACC338UMM20](#) [AF80-30-11-13](#) [SZ-B1](#) [CGC-9A-120](#) [3GC2H0M22](#) [3NC0T0A22](#) [3NC1Q0A22](#) [3NC2H0A22](#) [3NC2T0122/SE](#) [3TF3400-0BB4](#) [MC-12B-DC24V](#)