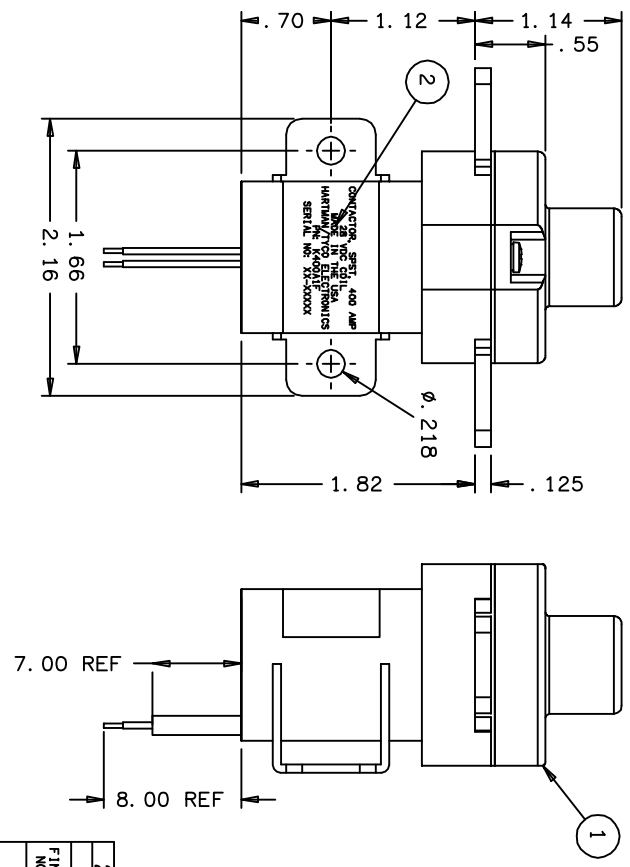
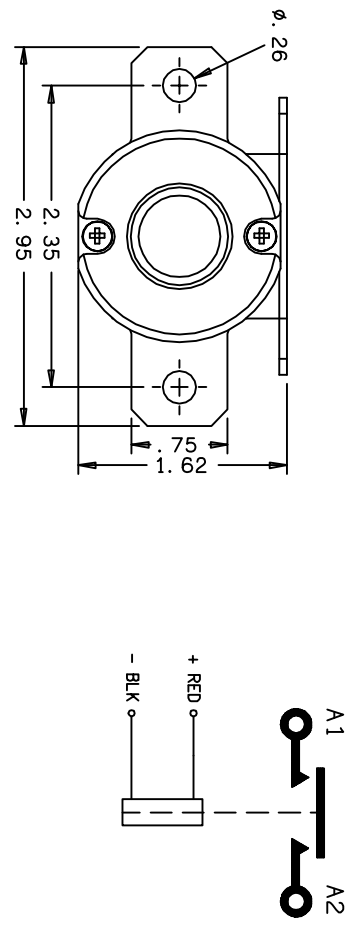


REVISIONS		RELEASED	DATE	APPROVED
REV	DESCRIPTION			
A	-		05/02/08	
B	001939	REMOVED PRELIM. ADDED NAME PLATE INFO	05/05/03	CB
C	08-025061	ADDED COIL CURRENT TO COIL DATA	08/10/08	CB



CONSTRUCTION  
GASKET SEALED

MAIN CONTACTS  
SPST N.O. (DOUBLE BREAK)

VOLTAGE  
28 VDC

CURRENT  
4000 AMPS

RESISTIVE RUPTURE  
4000 AMPS

VOLTAGE DROP  
150 mv @ 400 AMPS

COIL DATA  
CONTINUOUS

DUTY CYCLE  
28 VDC

NOM. OPERATE VOLTAGE  
18 VDC

MAX. PICKUP VOLTAGE  
0.5-7.0 VDC

DROPOUT VOLTAGE  
.55 AMPS @ 32 VDC @ 25°C

ENVIRONMENTAL DATA  
TEMPERATURE  
-55°C TO 85°C

ALTITUDE  
50,000 FT

LIFE ELECTRICAL  
50,000 CYCLES

LIFE MECHANICAL  
100,000 CYCLES

WEIGHT, MAX  
.65 LBS

QTY	PART OR IDENTIFYING NO	NAME PLATE	NO ENCLATURE OR DESCRIPTION	CAGE NO	DRAWING OR SPECIFICATION	MATERIAL OR NOTE
1	44899-016	NAME PLATE				
1	46095-090	CONTACTOR PRIMARY ASSEMBLY				

UNLESS OTHERWISE SPECIFIED  
DIMENSIONS ARE IN INCHES  
TOLERANCES IN

±.06	±.010	± 1°
------	-------	------

2 PL DEC. IS PL DEC. ANGLES

DR BY RSS 05/02/08  
CHK BY CB 05/05/04  
ENGR RSS 05/05/04  
MFG EJV 05/05/04

SCALE 1/1 SHEET

**Tyco Electronics**  
HOT LICKS™ Division, 175 N. DIAMOND STREET WAINSFIELD, OHIO 44902

CONTACTOR SPST NO DB  
400 AMP, 28 VDC

DWG NO. K-400A1F

REF TE P/N 6-1616945-7

## X-ON Electronics

Largest Supplier of Electrical and Electronic Components

*Click to view similar products for* [Contactors - Electromechanical category:](#)

*Click to view products by* [TE Connectivity manufacturer:](#)

Other Similar products are found below :

[6-1618400-7](#) [686-117111](#) [686-120111](#) [686-924](#) [686-948](#) [70-901](#) [70-914](#) [MB-3D-6](#) [MC-22A/4-AC120V](#) [8-1616943-9](#) [8-1672124-5](#)  
[A40-30-10-84](#) [120-905](#) [A701U](#) [120-904](#) [1393132-9](#) [154-905](#) [154-912](#) [154-913](#) [154-915](#) [154-902](#) [154-910](#) [AVR743D](#) [B6-40-00-84](#) [B7-40-00-84](#) [1616017-5](#) [1616021-1](#) [MVDILM](#) [HP-11D-24](#) [P25-E5019-1](#) [P30C47A12D1-120](#) [P40C47A12D1-120](#) [P40P47D13P1-24-01](#) [CA7-12-10-240](#) [CA7-72-00-24Z](#) [90-162](#) [9-1393132-2](#) [2NC4F0222](#) [A275KXXV2-120VAC](#) [ACC338UMM20](#) [AF80-30-11-13](#) [SZ-B1](#) [CGC-9A-120](#) [3GC2H0M22](#) [3NC0T0A22](#) [3NC1Q0A22](#) [3NC2H0A22](#) [3NC2T0122/SE](#) [3TF3400-0BB4](#) [MC-12B-DC24V](#)