

# K40P364=RELAY, VACUUM, SPST- L ✓ ACTIVE

Kilovac | Kilovac K40

TE Part # 1618239-9

TE Internal #: K40P364

[View on TE.com >](#)



Relays, Contactors & Switches > Relays > High Voltage Relays



Contact Voltage Rating: **5 kVDC**

Contact Arrangement: **1 Form P, SPST-Latching, 1 Latching**

High Voltage Connection (Coil): **Coil Leads**

High Voltage Connection (Power): **High Voltage Tabs**

Economizer: **Without**

## Features

### Product Type Features

RF Rated	Yes
Product Type	Relay
Relay Type	High Voltage

### Configuration Features

Economizer	Without
Power Switching	Yes

### Electrical Characteristics

Contact Voltage Rating	5 kVDC
Voltage (Max)	26.5 VDC
Coil Voltage Rating	26.5 VDC
Coil Resistance	80 $\Omega$

### Contact Features

Contact Arrangement	1 Form P, SPST-Latching, 1 Latching
Auxiliary Contacts	Without
Contact Current Rating	35 A

### Termination Features

High Voltage Connection (Coil)	Coil Leads
High Voltage Connection (Power)	High Voltage Tabs
Termination Style	Bus Wires



**Mechanical Attachment**

Mounting Type	Non-Flanged
---------------	-------------

**Product Compliance**

[For compliance documentation, visit the product page on TE.com>](#)

EU RoHS Directive 2011/65/EU	Not Compliant
EU ELV Directive 2000/53/EC	Not Compliant
China RoHS 2 Directive MIIT Order No 32, 2016	Restricted Materials Above Threshold
EU REACH Regulation (EC) No. 1907/2006	Current ECHA Candidate List: JAN 2019 (197) Candidate List Declared Against: JAN 2019 (197)
Halogen Content	Not Yet Reviewed for halogen content
Solder Process Capability	Not lead free process capable

Product Compliance Disclaimer

This information is provided based on reasonable inquiry of our suppliers and represents our current actual knowledge based on the information they provided. This information is subject to change. The part numbers that TE has identified as EU RoHS compliant have a maximum concentration of 0.1% by weight in homogenous materials for lead, hexavalent chromium, mercury, PBB, PBDE, DBP, BBP, DEHP, DIBP, and 0.01% for cadmium, or qualify for an exemption to these limits as defined in the Annexes of Directive 2011/65/EU (RoHS2). Finished electrical and electronic equipment products will be CE marked as required by Directive 2011/65/EU. Components may not be CE marked. Additionally, the part numbers that TE has identified as EU ELV compliant have a maximum concentration of 0.1% by weight in homogenous materials for lead, hexavalent chromium, and mercury, and 0.01% for cadmium, or qualify for an exemption to these limits as defined in the Annexes of Directive 2000/53/EC (ELV). Regarding the REACH Regulations, TE's information on SVHC in articles for this part number is still based on the European Chemical Agency (ECHA) 'Guidance on requirements for substances in articles' (Version: 2, April 2011), applying the 0.1% weight on weight concentration threshold at the finished product level. TE is aware of the European Court of Justice ruling of September 10th, 2015 also known as O5A (Once An Article Always An Article) stating that, in case of 'complex object', the threshold for a SVHC must be applied to both the product as a whole and simultaneously to each of the articles forming part of its composition. TE has evaluated this ruling based on the new ECHA "Guidance on requirements for substances in articles" (June 2017, version 4.0) and will be updating its statements accordingly.

**Compatible Parts**



**Also in the Series | Kilovac K40**



High Voltage Relays(3)

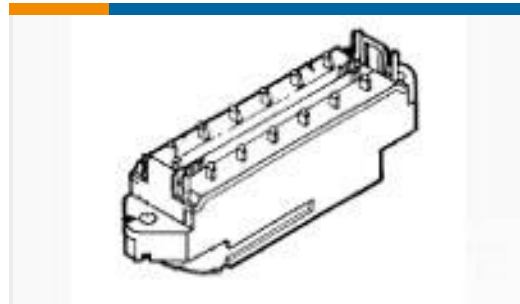
## Customers Also Bought



TE Part #227531-1  
SMA PLUG W  
/PASSIVATED BODY



TE Part #1052543-1  
2052 1350 00



TE Part #553598-1  
PLUG ASSY,24 POSN,SCR  
LK,L PF



TE Part #7-1393766-4  
R10-E1Z2-V700=R10



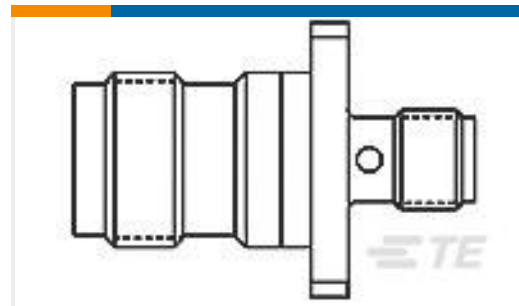
TE Part #1059654-1  
4558 1154 02,OSP JACK  
RECEPT



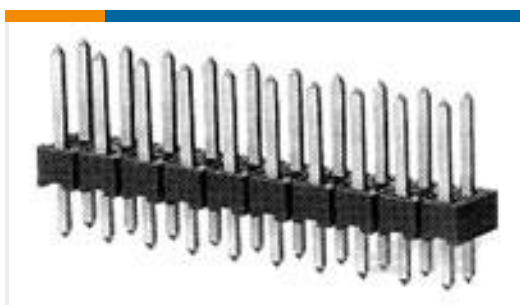
TE Part #2-535542-5  
50 MODIV VRT DR CE 100  
/130



TE Part #87499-2  
07 MODIV HSG COMP SR .  
100CL



TE Part #1057848-1  
ADAPTER, TNC JACK TO  
SMA JACK, FLANGE MT



TE Part #2-103240-5  
50 MODII HDR DRST B/A .  
100CL

## Documents

### CAD Files

[3D PDF](#)

[3D](#)

### Customer View Model

[ENG\\_CVM\\_CVM\\_1618239-9\\_K.2d\\_dxf.zip](#)

English

### Customer View Model

[ENG\\_CVM\\_CVM\\_1618239-9\\_K.3d\\_igs.zip](#)



English

Customer View Model

[ENG\\_CVM\\_CVM\\_1618239-9\\_K.3d\\_stp.zip](#)

English

---

**Datasheets & Catalog Pages**

[5-1773450-5\\_sec7\\_K40P](#)

English

## X-ON Electronics

Largest Supplier of Electrical and Electronic Components

*Click to view similar products for [General Purpose Relays](#) category:*

*Click to view products by [TE Connectivity](#) manufacturer:*

Other Similar products are found below :

[PCN-105D3MH,000](#) [59641F200](#) [LY1SAC110120](#) [5X827E](#) [5X837F](#) [5X840F](#) [5X842F](#) [5X848E](#) [LY2N-AC120](#) [LY2S-AC220/240](#) [LY2-US-AC120](#) [LY3-US-AC120](#) [LY4F-UA-DC12](#) [LY4F-UA-DC24](#) [LY4F-US-AC120](#) [LY4F-US-AC240](#) [LY4F-US-DC24](#) [LY4F-VD-AC110](#) [LYQ20DC12](#) [M115C60](#) [M115N010](#) [M115N0150](#) [6031007G](#) [603-12D](#) [61211T0B4](#) [61212T400](#) [61222Q400](#) [61243B600](#) [61243C500](#) [61243Q400](#) [61311BOA2](#) [61311BOA6](#) [61311BOA8](#) [61311COA2](#) [61311COA1](#) [61311COA6](#) [61311F0A2](#) [61311QOA1](#) [61311QOA4](#) [61311T0D6](#) [61311TOA6](#) [61311TOA7](#) [61311TOB3](#) [61311TOB4](#) [61311U0A6](#) [61312Q600](#) [61312T400](#) [61312T600](#) [61313U200](#) [61313U400](#)