

K41C734=RELAY, VACUUM, SPDT ✓ ACTIVE

Kilovac | Kilovac K41

TE Part # 5-1618239-4

TE Internal #: K41C734

[View on TE.com >](#)



Relays, Contactors & Switches > Relays > High Voltage Relays



Contact Voltage Rating: **5 kVDC**

Contact Arrangement: **1 Form C, SPDT**

High Voltage Connection (Coil): **Turret Terminals**

High Voltage Connection (Power): **High Voltage Tabs**

Economizer: **Without**

Features

Product Type Features

RF Rated	Yes
Product Type	Relay
Relay Type	High Voltage

Configuration Features

Economizer	Without
Power Switching	Yes

Electrical Characteristics

Contact Voltage Rating	5 kVDC
Voltage (Max)	12 VDC
Coil Voltage Rating	12 VDC
Coil Resistance	70 Ω

Contact Features

Contact Arrangement	1 Form C, SPDT
Auxiliary Contacts	Without
Contact Current Rating	30 A

Termination Features

High Voltage Connection (Coil)	Turret Terminals
High Voltage Connection (Power)	High Voltage Tabs
Termination Style	Turret Terminals

Mechanical Attachment

Mounting Type

Non-Flanged

Product Compliance

[For compliance documentation, visit the product page on TE.com>](#)

EU RoHS Directive 2011/65/EU

Not Compliant

EU ELV Directive 2000/53/EC

Not Compliant

China RoHS 2 Directive MIIT Order No 32, 2016

Restricted Materials Above Threshold

EU REACH Regulation (EC) No. 1907/2006

Current ECHA Candidate List: JAN 2019 (197)
Candidate List Declared Against: JAN 2018 (181)

Halogen Content

Low Halogen - Br, Cl, F, I < 900 ppm per homogenous material. Also BFR/CFR/PVC Free

Solder Process Capability

Not lead free process capable

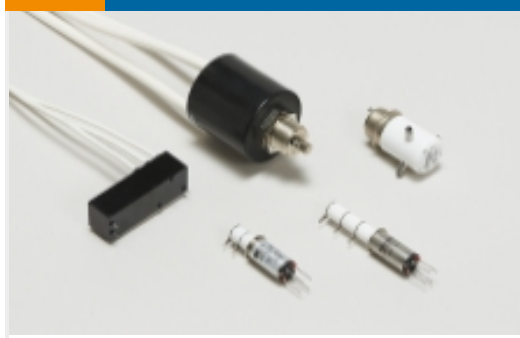
Product Compliance Disclaimer

This information is provided based on reasonable inquiry of our suppliers and represents our current actual knowledge based on the information they provided. This information is subject to change. The part numbers that TE has identified as EU RoHS compliant have a maximum concentration of 0.1% by weight in homogenous materials for lead, hexavalent chromium, mercury, PBB, PBDE, DBP, BBP, DEHP, DIBP, and 0.01% for cadmium, or qualify for an exemption to these limits as defined in the Annexes of Directive 2011/65/EU (RoHS2). Finished electrical and electronic equipment products will be CE marked as required by Directive 2011/65/EU. Components may not be CE marked. Additionally, the part numbers that TE has identified as EU ELV compliant have a maximum concentration of 0.1% by weight in homogenous materials for lead, hexavalent chromium, and mercury, and 0.01% for cadmium, or qualify for an exemption to these limits as defined in the Annexes of Directive 2000/53/EC (ELV). Regarding the REACH Regulations, TE's information on SVHC in articles for this part number is still based on the European Chemical Agency (ECHA) 'Guidance on requirements for substances in articles' (Version: 2, April 2011), applying the 0.1% weight on weight concentration threshold at the finished product level. TE is aware of the European Court of Justice ruling of September 10th, 2015 also known as O5A (Once An Article Always An Article) stating that, in case of 'complex object', the threshold for a SVHC must be applied to both the product as a whole and simultaneously to each of the articles forming part of its composition. TE has evaluated this ruling based on the new ECHA "Guidance on requirements for substances in articles" (June 2017, version 4.0) and will be updating its statements accordingly.

Compatible Parts



Also in the Series | Kilovac K41

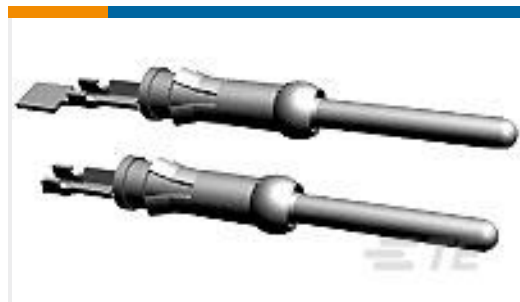


High Voltage Relays(38)

Customers Also Bought



TE Part #4-1437558-4
MTA406NPC=(MSTA) SW
TOG P/C TE



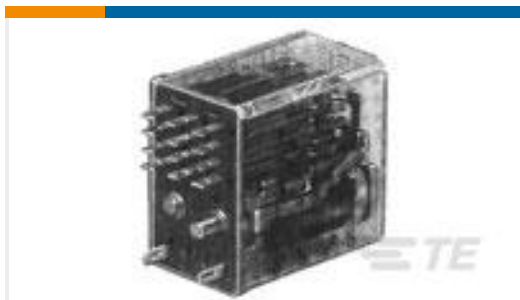
TE Part #1-66400-1
III+ PIN,24-20,TIN,LP S
/PCK



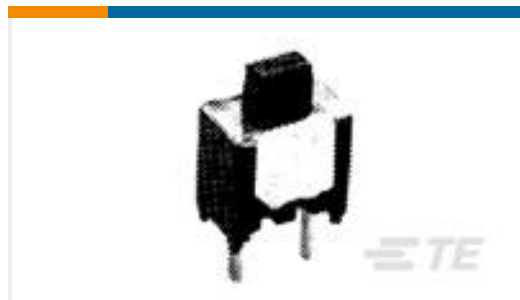
TE Part #2161958-1
ASSY, EXT. TOOL, EP 2.5



TE Part #50107-1
MIN SOCKET PRINTED
CIRCUIT



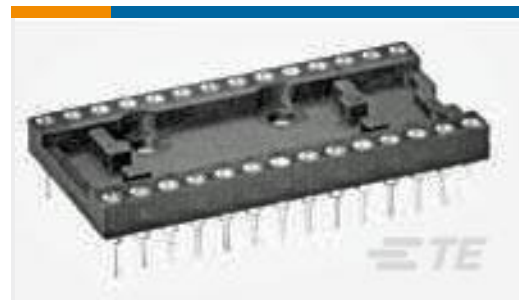
TE Part #8-1393769-2
R10S-E2Y1-J2.5K=R10



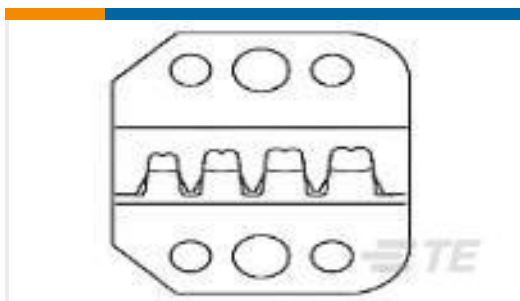
TE Part #1437571-4
TP11CGPC0=SWITCH P/B
N/O BLACK



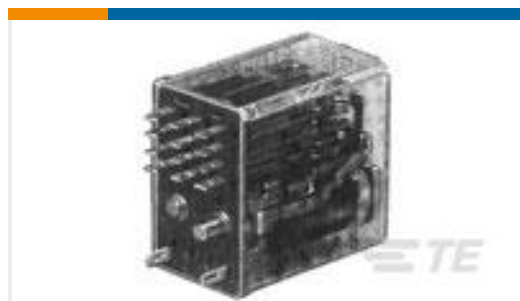
TE Part #2-1437583-8
DTS4SD=SW DIP 4 POLE



TE Part #1571550-9
528-AG12D-LF=500 DIP,
PCB,SN/SN



TE Part #91387-2
PRO-CRIMPER DIE(ONLY)



TE Part #8-1393769-4
R10S-E2Y2-J500=R10

Documents

Datasheets & Catalog Pages

[5-1773450-5_sec7_K41](#)

English

X-ON Electronics

Largest Supplier of Electrical and Electronic Components

Click to view similar products for [General Purpose Relays](#) category:

Click to view products by [TE Connectivity](#) manufacturer:

Other Similar products are found below :

[PCN-105D3MH,000](#) [59641F200](#) [5JO-1000CD-SIL](#) [LY1SAC110120](#) [5X827E](#) [5X837F](#) [5X840F](#) [5X842F](#) [5X848E](#) [LY2N-AC120](#) [LY2S-AC220/240](#) [LY2-US-AC120](#) [LY3-US-AC120](#) [LY4F-UA-DC12](#) [LY4F-UA-DC24](#) [LY4F-US-AC120](#) [LY4F-US-AC240](#) [LY4F-US-DC24](#) [LY4F-VD-AC110](#) [LYQ20DC12](#) [M115C60](#) [M115N010](#) [M115N0150](#) [6031007G](#) [603-12D](#) [61211T0B4](#) [61212T400](#) [61222Q400](#) [61243B600](#) [61243C500](#) [61243Q400](#) [61311BOA2](#) [61311BOA6](#) [61311BOA8](#) [61311C0A2](#) [61311COA1](#) [61311COA6](#) [61311F0A2](#) [61311QOA1](#) [61311QOA4](#) [61311T0D6](#) [61311TOA6](#) [61311TOA7](#) [61311TOB3](#) [61311TOB4](#) [61311U0A6](#) [61312Q600](#) [61312T400](#) [61312T600](#) [61313U200](#)