

K43C234=RELAY, VACUUM, SPDT ✓ ACTIVE

Kilovac | Kilovac K43

TE Part # 2-1618240-5

TE Internal #: K43C234

[View on TE.com >](#)



Relays, Contactors & Switches > Relays > High Voltage Relays



Contact Voltage Rating: **10 kVDC**

Contact Arrangement: **1 Form C, SPDT**

High Voltage Connection (Coil): **Bus Wires**

High Voltage Connection (Power): **High Voltage Tabs**

Economizer: **Without**

Features

Product Type Features

RF Rated	Yes
Product Type	Relay
Relay Type	High Voltage

Configuration Features

Economizer	Without
Power Switching	Yes

Electrical Characteristics

Contact Voltage Rating	10 kVDC
Voltage (Max)	12 VDC
Coil Voltage Rating	12 VDC
Coil Resistance	70 Ω

Contact Features

Contact Arrangement	1 Form C, SPDT
Auxiliary Contacts	Without
Contact Current Rating	25 A

Termination Features

High Voltage Connection (Coil)	Bus Wires
High Voltage Connection (Power)	High Voltage Tabs
Termination Style	Bus Wires

Mechanical Attachment

Mounting Type

Non-Flanged

Product Compliance

[For compliance documentation, visit the product page on TE.com>](#)

EU RoHS Directive 2011/65/EU

Not Compliant

EU ELV Directive 2000/53/EC

Not Compliant

China RoHS 2 Directive MIIT Order No 32, 2016

No Restricted Materials Above Threshold

EU REACH Regulation (EC) No. 1907/2006

欧洲化学品管理局最新发布的SvHCs候选清单: 2019年1月 (197)
SvHCs候选清单的声明更新至: 2019年1月 (197)

Halogen Content

Low Halogen - Br, Cl, F, I < 900 ppm per homogenous material. Also BFR/CFR/PVC Free

Solder Process Capability

Not lead free process capable

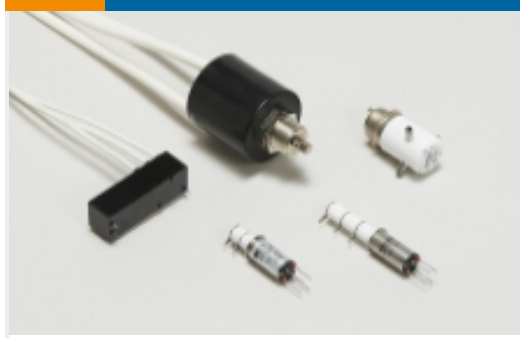
Product Compliance Disclaimer

This information is provided based on reasonable inquiry of our suppliers and represents our current actual knowledge based on the information they provided. This information is subject to change. The part numbers that TE has identified as EU RoHS compliant have a maximum concentration of 0.1% by weight in homogenous materials for lead, hexavalent chromium, mercury, PBB, PBDE, DBP, BBP, DEHP, DIBP, and 0.01% for cadmium, or qualify for an exemption to these limits as defined in the Annexes of Directive 2011/65/EU (RoHS2). Finished electrical and electronic equipment products will be CE marked as required by Directive 2011/65/EU. Components may not be CE marked. Additionally, the part numbers that TE has identified as EU ELV compliant have a maximum concentration of 0.1% by weight in homogenous materials for lead, hexavalent chromium, and mercury, and 0.01% for cadmium, or qualify for an exemption to these limits as defined in the Annexes of Directive 2000/53/EC (ELV). Regarding the REACH Regulations, TE's information on SVHC in articles for this part number is still based on the European Chemical Agency (ECHA) 'Guidance on requirements for substances in articles' (Version: 2, April 2011), applying the 0.1% weight on weight concentration threshold at the finished product level. TE is aware of the European Court of Justice ruling of September 10th, 2015 also known as O5A (Once An Article Always An Article) stating that, in case of 'complex object', the threshold for a SVHC must be applied to both the product as a whole and simultaneously to each of the articles forming part of its composition. TE has evaluated this ruling based on the new ECHA "Guidance on requirements for substances in articles" (June 2017, version 4.0) and will be updating its statements accordingly.

Compatible Parts

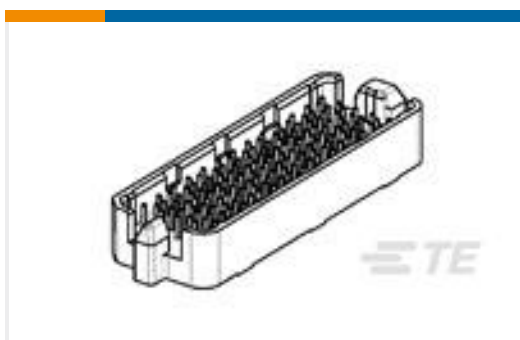


Also in the Series | Kilovac K43

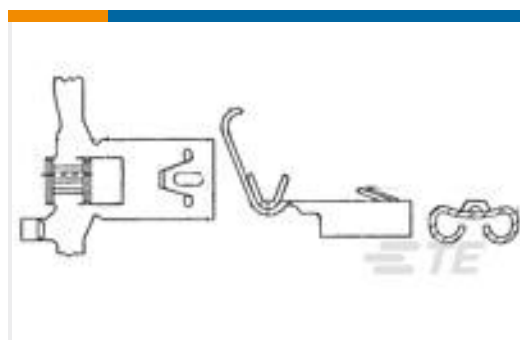


High Voltage Relays(29)

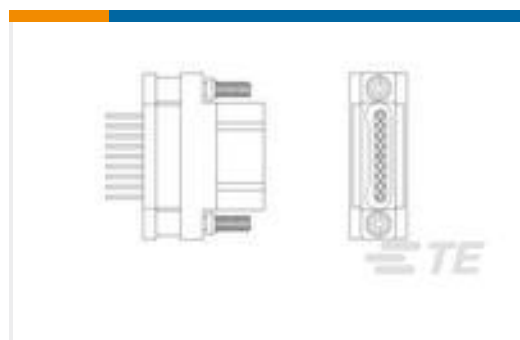
Customers Also Bought



TE Part #6-2149780-1
SM,HD,HF,048,000,00,SN,
Y,11



TE Part #63509-1
FF 187 REC 20-16AWG
TPBR



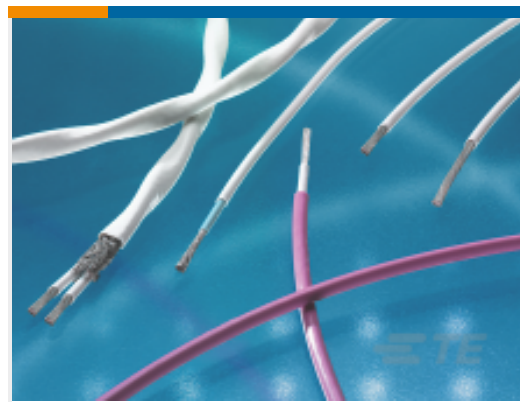
TE Part #1589461-8
SSM025C5N = THRU-
HOLE



TE Part #CL7493-000
4126C1332-8



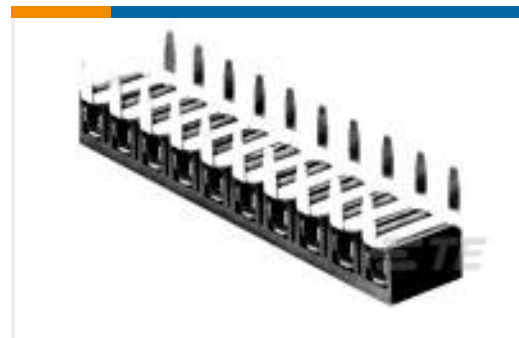
TE Part #5-146496-2
04 MODII HDR DRST
UNSHRD STKG



TE Part #003671-000
55/1822-22-9/96-9



TE Part #6643437-1
ICCON,PIN,ASSY



TE Part #87995-4
04 MODI BDMNT RCPT
SR .156CL



TE Part #
YACT26JJ19SNV00100
STRAIGHT PLUG



TE Part #7-2176392-1
RQ 1206 715K 0.1% 10PPM
5K RL

Documents

CAD Files

3D PDF

3D

Customer View Model

[ENG_CVM_CVM_2-1618240-5_J.2d_dxf.zip](#)

English

Customer View Model



[ENG_CVM_CVM_2-1618240-5_J.3d_igs.zip](#)

English

Customer View Model

[ENG_CVM_CVM_2-1618240-5_J.3d_stp.zip](#)

English

Datasheets & Catalog Pages

[5-1773450-5_sec7_K43](#)

English

X-ON Electronics

Largest Supplier of Electrical and Electronic Components

Click to view similar products for [General Purpose Relays](#) category:

Click to view products by [TE Connectivity](#) manufacturer:

Other Similar products are found below :

[PCN-105D3MH,000](#) [59641F200](#) [5JO-1000CD-SIL](#) [LY1SAC110120](#) [5X827E](#) [5X837F](#) [5X840F](#) [5X842F](#) [5X848E](#) [LY2N-AC120](#) [LY2S-AC220/240](#) [LY2-US-AC120](#) [LY3-US-AC120](#) [LY4F-UA-DC12](#) [LY4F-UA-DC24](#) [LY4F-US-AC120](#) [LY4F-US-AC240](#) [LY4F-US-DC24](#) [LY4F-VD-AC110](#) [LYQ20DC12](#) [M115C60](#) [M115N010](#) [M115N0150](#) [6031007G](#) [603-12D](#) [61211T0B4](#) [61212T400](#) [61222Q400](#) [61243B600](#) [61243C500](#) [61243Q400](#) [61311BOA2](#) [61311BOA6](#) [61311BOA8](#) [61311C0A2](#) [61311COA1](#) [61311COA6](#) [61311F0A2](#) [61311QOA1](#) [61311QOA4](#) [61311T0D6](#) [61311TOA6](#) [61311TOA7](#) [61311TOB3](#) [61311TOB4](#) [61311U0A6](#) [61312Q600](#) [61312T400](#) [61312T600](#) [61313U200](#)