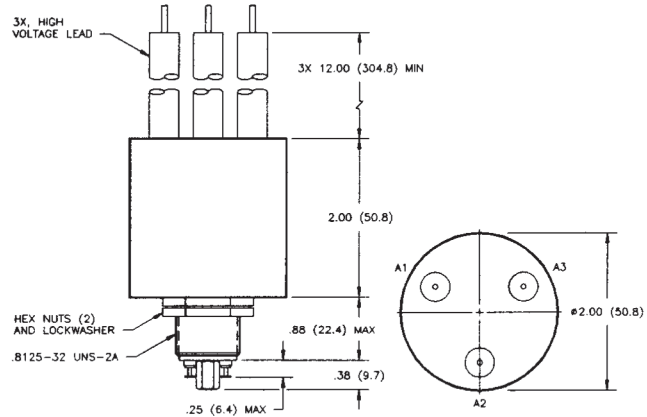
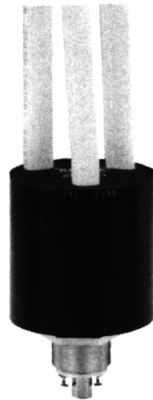


**K64 & H-25 Series — 50 kV Relays**

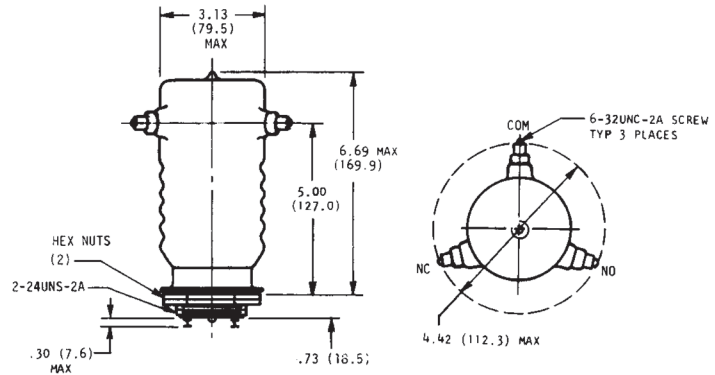
**K64C**  
**Make Only Load Switching**  
**Product Facts for K64C**

- SF-6 gas-filled relay ideal for high voltage isolation or “make only” power switching
- 50 kV rating in compact package
- High voltage leads and encapsulation allow full operation in air



**H-25**  
**Make & Break Load Switching**  
**Product Facts for H-25**

- Vacuum relay provides low contact resistance
- Vacuum dielectric for power switching low current loads



**Product Specifications for K64C and H-25**

- Contact Arrangement** — SPDT
- Contact Form** — C
- Test Voltage, DC or 60 Hz (Peak)** —  
 K64C — 55 kV  
 H-25 — 60 kV
- Rated Operating Voltage (Peak)** —  
 DC or 60 Hz — 50 kV
- Continuous Carry Current, Max.** —  
 DC or 60 Hz — K64C — 10 A  
 H-25 — 30 A
- Coil Hi-Pot (Vrms, 60 Hz) — 500 A
- Contact Resistance, Max.** —  
 K64C — 1.0 ohm\*  
 H-25 — 0.015 ohm
- Operate Time, Max.** —  
 K64C — 15 ms  
 H-25 — 60 ms
- Release Time, Max.** —  
 K64C — 15 ms  
 H-25 — 60 ms

**Shock, 11ms, 1/2 Sine (Peak)** —

- K64C — 10 g
- H-25 — 15 g

**Vibration** —  
 Peak — 10 g (55 to 500 Hz)

**Operating Ambient Temperature Range** — -55°C to +85°C

**Mechanical Life** —  
 K64C — 1 million cycles  
 H-25 — 500,000 cycles

**Weight, Nominal** —  
 K64C — 340 g (12 oz.)  
 H-25 — 850.5 g (30 oz.)

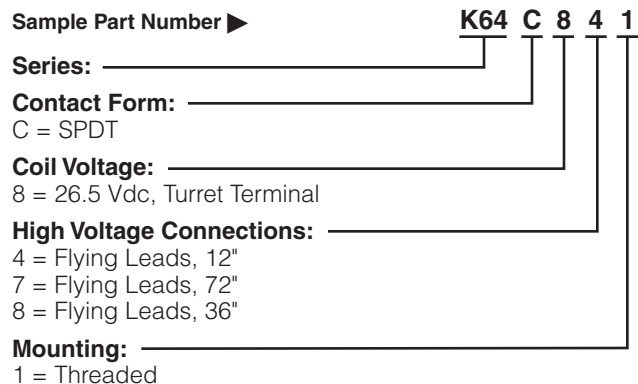
**Note:**  
 \*Contact resistance for gas-filled relays measured at 28 Vdc, 1 Amp

**Coil Data**

	K64C	H-25
<b>Nominal Volts DC</b>	26.5 Vdc	26.5 Vdc
<b>Pickup, Max.</b>	18 Vdc	16 Vdc
<b>Dropout</b>	1-10 Vdc	1-10 Vdc
<b>Coil Resistance (±10%)</b>	80 Ω	120 Ω

Ratings listed are for 25°C, sea level conditions

**Ordering Information**



For factory-direct application assistance, dial 800-253-4560, ext. 2055, or 805-220-2055.

## X-ON Electronics

Largest Supplier of Electrical and Electronic Components

*Click to view similar products for [General Purpose Relays](#) category:*

*Click to view products by [TE Connectivity](#) manufacturer:*

Other Similar products are found below :

[PCN-105D3MH,000](#) [59641F200](#) [LY1SAC110120](#) [5X827E](#) [5X837F](#) [5X840F](#) [5X842F](#) [5X848E](#) [LY2N-AC120](#) [LY2S-AC220/240](#) [LY2-US-AC120](#) [LY3-US-AC120](#) [LY4F-UA-DC12](#) [LY4F-UA-DC24](#) [LY4F-US-AC120](#) [LY4F-US-AC240](#) [LY4F-US-DC24](#) [LY4F-VD-AC110](#) [LYQ20DC12](#) [M115C60](#) [M115N010](#) [M115N0150](#) [6031007G](#) [603-12D](#) [61211T0B4](#) [61212T400](#) [61222Q400](#) [61243B600](#) [61243C500](#) [61243Q400](#) [61311BOA2](#) [61311BOA6](#) [61311BOA8](#) [61311C0A2](#) [61311COA1](#) [61311COA6](#) [61311F0A2](#) [61311QOA1](#) [61311QOA4](#) [61311T0D6](#) [61311TOA6](#) [61311TOA7](#) [61311TOB3](#) [61311TOB4](#) [61311U0A6](#) [61312Q600](#) [61312T400](#) [61312T600](#) [61313U200](#) [61313U400](#)