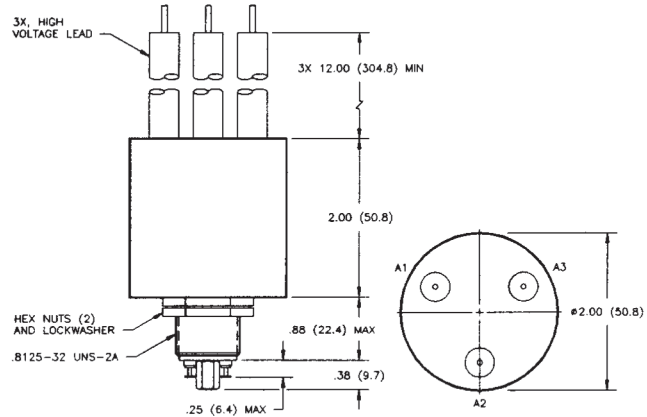
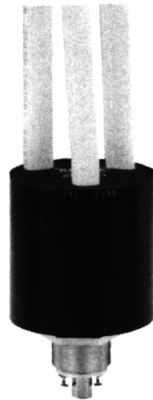


K64 & H-25 Series — 50 kV Relays

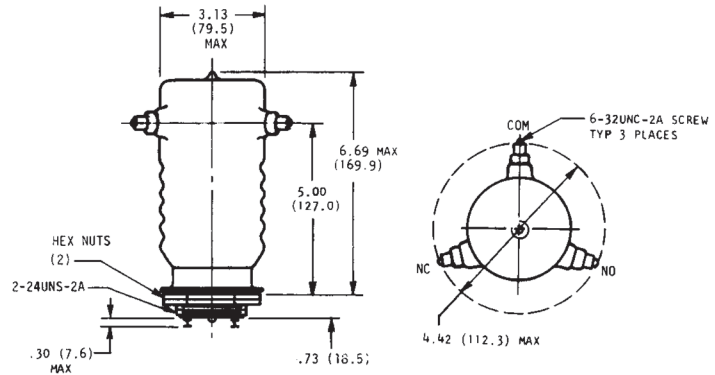
K64C
Make Only Load Switching
Product Facts for K64C

- SF-6 gas-filled relay ideal for high voltage isolation or “make only” power switching
- 50 kV rating in compact package
- High voltage leads and encapsulation allow full operation in air



H-25
Make & Break Load Switching
Product Facts for H-25

- Vacuum relay provides low contact resistance
- Vacuum dielectric for power switching low current loads



Product Specifications for K64C and H-25

- Contact Arrangement** — SPDT
- Contact Form** — C
- Test Voltage, DC or 60 Hz (Peak)** —
 K64C — 55 kV
 H-25 — 60 kV
- Rated Operating Voltage (Peak)** —
 DC or 60 Hz — 50 kV
- Continuous Carry Current, Max.** —
 DC or 60 Hz — K64C — 10 A
 H-25 — 30 A
- Coil Hi-Pot (Vrms, 60 Hz) — 500 A
- Contact Resistance, Max.** —
 K64C — 1.0 ohm*
 H-25 — 0.015 ohm
- Operate Time, Max.** —
 K64C — 15 ms
 H-25 — 60 ms
- Release Time, Max.** —
 K64C — 15 ms
 H-25 — 60 ms

Shock, 11ms, 1/2 Sine (Peak) —

- K64C — 10 g
- H-25 — 15 g
- Vibration** —
 Peak — 10 g (55 to 500 Hz)

Operating Ambient Temperature Range — -55°C to +85°C

- Mechanical Life** —
 K64C — 1 million cycles
 H-25 — 500,000 cycles

- Weight, Nominal** —
 K64C — 340 g (12 oz.)
 H-25 — 850.5 g (30 oz.)

Note:
 *Contact resistance for gas-filled relays measured at 28 Vdc, 1 Amp

Coil Data

	K64C	H-25
Nominal Volts DC	26.5 Vdc	26.5 Vdc
Pickup, Max.	18 Vdc	16 Vdc
Dropout	1-10 Vdc	1-10 Vdc
Coil Resistance (±10%)	80 Ω	120 Ω

Ratings listed are for 25°C, sea level conditions

Ordering Information

Sample Part Number ▶ **K64 C 8 4 1**

Series: _____

Contact Form: _____
 C = SPDT

Coil Voltage: _____
 8 = 26.5 Vdc, Turret Terminal

High Voltage Connections: _____
 4 = Flying Leads, 12"
 7 = Flying Leads, 72"
 8 = Flying Leads, 36"

Mounting: _____
 1 = Threaded

For factory-direct application assistance, dial 800-253-4560, ext. 2055, or 805-220-2055.

X-ON Electronics

Largest Supplier of Electrical and Electronic Components

Click to view similar products for [General Purpose Relays](#) category:

Click to view products by [TE Connectivity](#) manufacturer:

Other Similar products are found below :

[APF30318](#) [JVN1AF-4.5V-F](#) [PCN-105D3MHZ](#) [5JO-10000S-SIL](#) [5JO-1000CD-SIL](#) [5JO-400CD-SIL](#) [LY2S-AC220/240](#) [LYQ20DC12](#)
[6031007G](#) [6131406HQ](#) [6-1393099-3](#) [6-1393099-8](#) [6-1393122-4](#) [6-1393123-2](#) [6-1393767-1](#) [6-1393843-7](#) [6-1415012-1](#) [6-1419102-2](#) [6-](#)
[1423698-4](#) [6-1608051-6](#) [6-1608067-0](#) [6-1616170-6](#) [6-1616248-2](#) [6-1616282-3](#) [6-1616348-2](#) [6-1616350-1](#) [6-1616350-8](#) [6-1616358-7](#) [6-](#)
[1616359-9](#) [6-1616360-9](#) [6-1616931-6](#) [6-1617039-1](#) [6-1617052-1](#) [6-1617090-2](#) [6-1617090-5](#) [6-1617347-5](#) [6-1617353-3](#) [6-1617801-8](#) [6-](#)
[1617802-2](#) [6-1618107-9](#) [6-1618248-4](#) [M83536/1-027M](#) [CX-4014](#) [MAHC-5494](#) [MAVCD-5419-6](#) [703XCX-120A](#) [7-1393100-5](#) [7-1393111-7](#)
[7-1393144-5](#) [7-1393767-8](#)