


REVISIONS				
REV.	DESCRIPTION		DATE	APPROVED
A	INITIAL RELEASE	NPR 7306	12-18-85	RG
B	REV'D P 1, 4	ECO 7343	1-27-86	RG
C	REV'D P1&2	ECO 7815	10-7-87	RG
D	REV'D P1 & P4	ECO 8358	90-2-9	Heaves
E	REV'D P1&2	ECO 8586	91-2-12	Heaves
F	REV'D P1 & P4	ECO 9441	950816	at/ee

SALES DRAWING

REV. STATUS OF SHEETS							P.O. BOX 4422 Santa Barbara, CA 93140-4422	
REV.	F	C	A	D				
SHEET	1	2	3	4		TITLE HIGH VOLTAGE VACUUM RELAY		
PRED. BY	JP	12-14-85	DWG. NO.		K81C SERIES			
CHKD. BY	RG	12-17-85	FSCM NO.					SHEET 1 OF 4
ENG. APRVL	RG	12-18-85	18741					


**ECR REC'D & APP'D**  
 MFG'G ENGR SA DATE 950108  
 QA MGR RS DATE 1-6-95

**SPECIFICATIONS:**

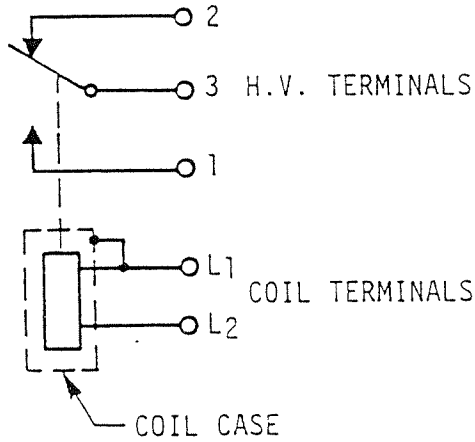
- CONTACT ARRANGEMENT..... SPDT
- FORM..... C
- TEST VOLTAGE (dc OR 60 Hz, kV PEAK)..... 11
- RATED OPERATING VOLTAGE (dc OR 60 Hz, kV PEAK)..... 10
- CONTINUOUS CURRENT CARRY, CONTACTS CLOSED, MAX.  
 (Adc OR 60 Hz, RMS)
- P/N K81C235, K81C335, K81C535 (FIG. 1)..... 5
- P/N K81C245, K81C345, K81C545 (FIG. 2)..... 10
- CONTACT RESISTANCE, MAX. (OHMS)..... 0.050
- OPERATE TIME, MAX. (ms)..... 10
- RELEASE TIME, MAX. (ms)..... 10
- SHOCK, 11 ms 1/2 SINE (PEAK G's)..... 30
- VIBRATION, 10 G's PEAK (Hz)..... 55-500
- OPERATING TEMPERATURE RANGE (°C)..... -55 TO +85
- MECHANICAL LIFE (OPERATIONS X 10<sup>6</sup>)..... 2
- WEIGHT, MAXIMUM (oz)..... 2.5

RELAY PART NUMBER Outline Per FIG. 1 —>	K81C235	K81C335	K81C535	
Outline Per FIG. 2 —>	K81C245	K81C345	K81C545	
COIL VOLTAGE, NOMINAL	12	26.5	115	
PICK-UP VOLTAGE, MAX. (Vdc)	8	16	80	
DROP-OUT VOLTAGE (Vdc)	.5-5	1-10	5-50	
COIL RESISTANCE (OHMS <u>+10%</u> )	70	290	4700	

NOTES: RATINGS LISTED ARE FOR 25°C SEA LEVEL CONDITIONS.

<p>DIMENSIONS IN INCHES          (DIMENSIONS IN PARENTHESES ARE IN MILLIMETERS)          TOLERANCES EXCEPT AS NOTED</p> <p>.xx = ± .03          .xxx = ± .010  <del>X</del> x° = ± 2°          DO NOT SCALE DWG.</p>				P.O. BOX 4422 Santa Barbara, CA 93140-4422	
	K81C SERIES				
	FSCM NO.	18741	SCALE	NONE	SHEET

**ECR REC'D & APP'D**  
 MFG'G ENGR SA DATE 950108  
 QA MGR RS DATE 1-6-95



SCHEMATIC

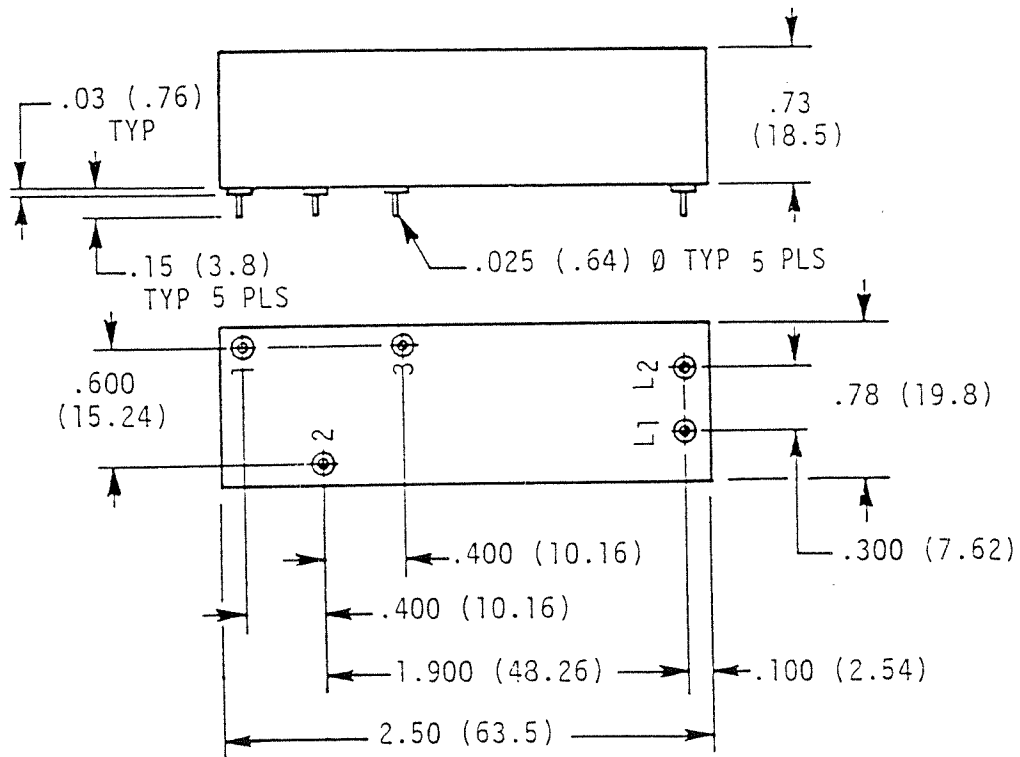


FIGURE 1. OUTLINE FOR PART NUMBERS K81C235, K81C335, K81C535

DIMENSIONS IN INCHES  
 (DIMENSIONS IN PARENTHESES ARE IN  
 MILLIMETERS)

TOLERANCES EXCEPT AS NOTED

.xx = ± .03

.xxx = ± .010

∠ x° = ± 2°

DO NOT SCALE DWG.



P.O. BOX 4422  
 Santa Barbara, CA 93140-4422

**K81C SERIES**

FSCM NO.

18741

SCALE

FULL

SHEET

3

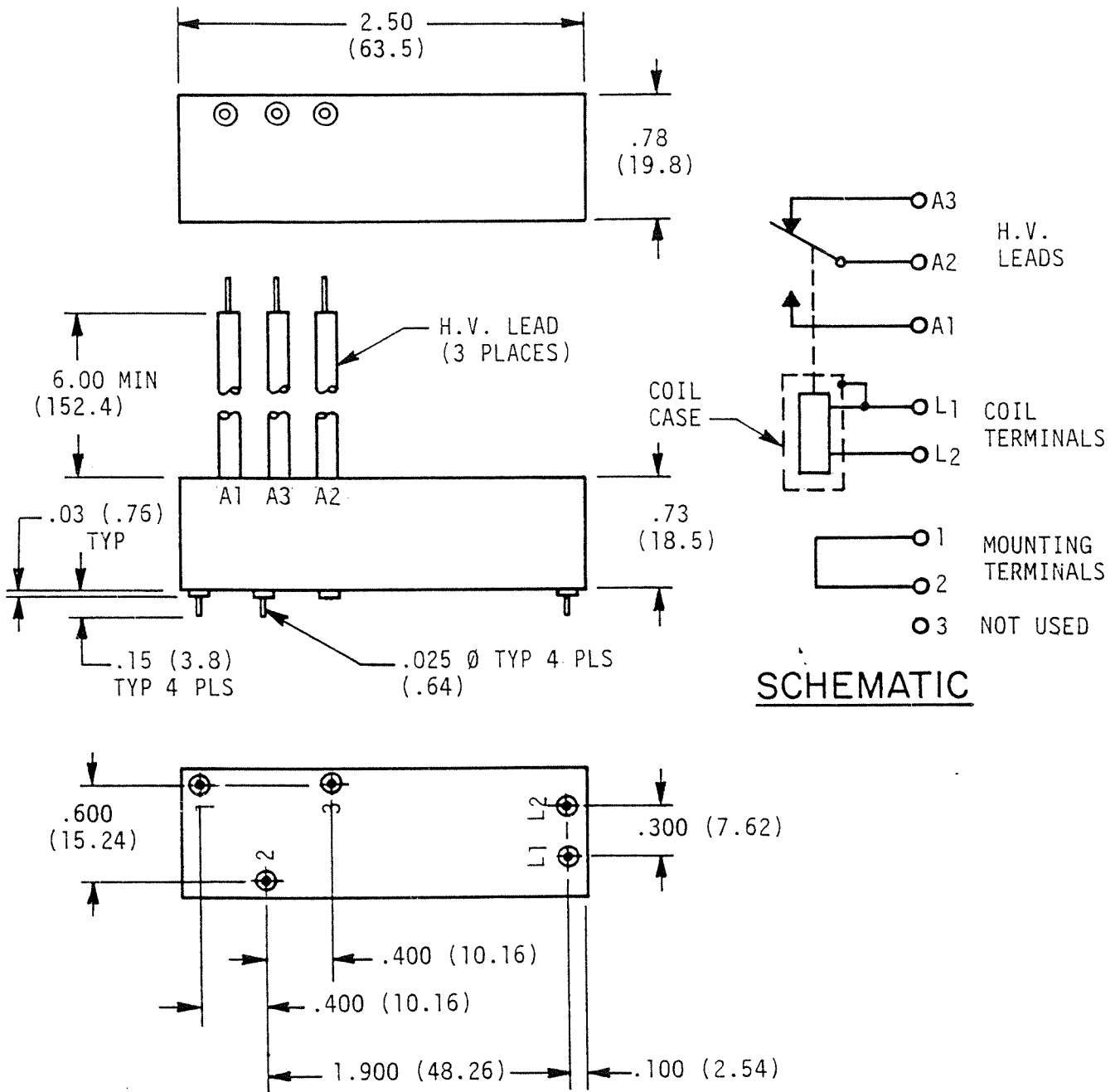


FIG. 2 OUTLINE FOR PART NUMBERS K81C245, K81C345, K81C545

DIMENSIONS IN INCHES  
(DIMENSIONS IN PARENTHESES ARE IN  
MILLIMETERS)

TOLERANCES EXCEPT AS NOTED

.xx = ± .03

.xxx = ± .010

∠ x° = ± 2°

DO NOT SCALE DWG.

**Kilovac**  
Corporation

P.O. BOX 4422  
Santa Barbara, CA 93140-4422

**K81C SERIES**

FSCM NO.

18741

SCALE

FULL

SHEET

4

## X-ON Electronics

Largest Supplier of Electrical and Electronic Components

*Click to view similar products for [General Purpose Relays](#) category:*

*Click to view products by [TE Connectivity](#) manufacturer:*

Other Similar products are found below :

[PCN-105D3MH,000](#) [59641F200](#) [LY1SAC110120](#) [5X827E](#) [5X837F](#) [5X840F](#) [5X842F](#) [5X848E](#) [LY2N-AC120](#) [LY2S-AC220/240](#) [LY2-US-AC120](#) [LY3-US-AC120](#) [LY4F-UA-DC12](#) [LY4F-UA-DC24](#) [LY4F-US-AC120](#) [LY4F-US-AC240](#) [LY4F-US-DC24](#) [LY4F-VD-AC110](#) [LYQ20DC12](#) [M115C60](#) [M115N010](#) [M115N0150](#) [6031007G](#) [603-12D](#) [61211T0B4](#) [61212T400](#) [61222Q400](#) [61243B600](#) [61243C500](#) [61243Q400](#) [61311BOA2](#) [61311BOA6](#) [61311BOA8](#) [61311COA2](#) [61311COA1](#) [61311COA6](#) [61311F0A2](#) [61311QOA1](#) [61311QOA4](#) [61311T0D6](#) [61311TOA6](#) [61311TOA7](#) [61311TOB3](#) [61311TOB4](#) [61311U0A6](#) [61312Q600](#) [61312T400](#) [61312T600](#) [61313U200](#) [61313U400](#)