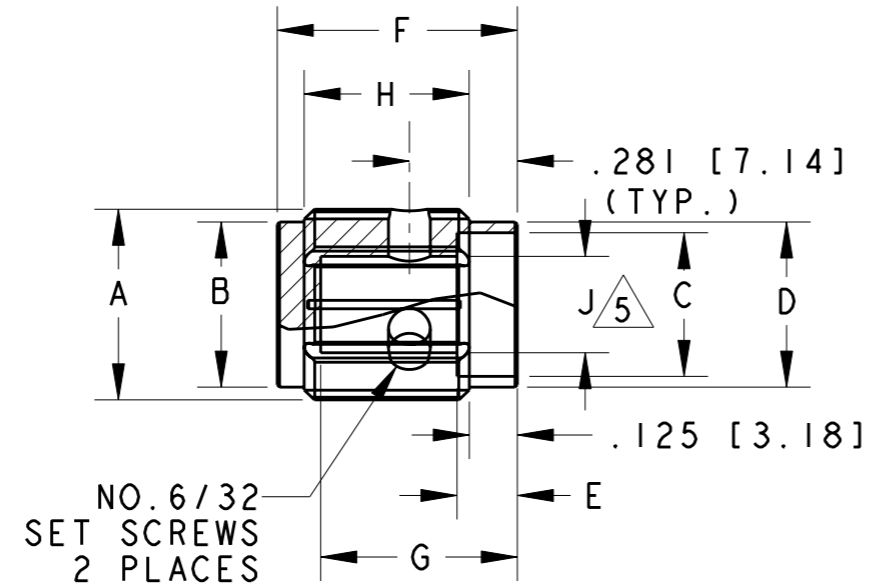
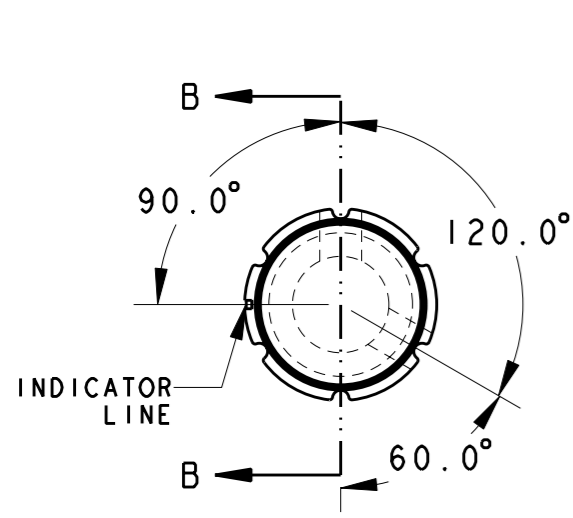


THIS DRAWING IS UNPUBLISHED. RELEASED FOR PUBLICATION 20
 © COPYRIGHT 20 BY TYCO ELECTRONICS CORPORATION. ALL RIGHTS RESERVED.

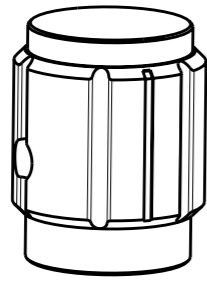
LOC	DIST	REVISIONS				
P	LTR	DESCRIPTION	DATE	DWN	APVD	
AD	00	A	ECO-08-028081	17NOV2008	MB MW	



SECTION B-B

- PARTS TO BE CLEAN AND DRY WHEN RECEIVED
- BURRS CAUSED BY TAPPING MUST NOT INTERFERE WITH SHAFT INSERTION TO FULL SHAFT DEPTH, NOR ARE BURRS ALLOWED ABOVE OUTER SURFACES.

- 3 2 STAINLESS STEEL SOCKET SET SCREWS
- 4 KNOB 5056 ALUMINUM ALLOY COLOR SEE TABLE
- 5 SHAFT HOLE TOLERANCE +.003 -.000



PART NUMBER	MODEL NO.	A	B	C	D	E	F	G	H	J	ANODIZE
2-1437621-0	KA-500-A-1/8	.500 (12.70)	.430 (10.9)	.375 (9.53)	.430 (10.9)	.157 (15.9)	.625 (15.9)	.512 (13.0)	.430 (10.9)	.126 (3.20)	CLEAR
1-1437621-9	KA-500-A-1/4	.500 (12.70)	.430 (10.9)	.375 (9.53)	.430 (10.9)	.157 (15.9)	.625 (15.9)	.512 (13.0)	.430 (10.9)	.251 (6.37)	CLEAR
2-1437621-2	KA-500-B-1/8	.500 (12.70)	.430 (10.9)	.375 (9.53)	.430 (10.9)	.157 (15.9)	.625 (15.9)	.512 (13.0)	.430 (10.9)	.126 (3.20)	BLACK
2-1437621-1	KA-500-B-1/4	.500 (12.70)	.430 (10.9)	.375 (9.53)	.430 (10.9)	.157 (15.9)	.625 (15.9)	.512 (13.0)	.430 (10.9)	.251 (6.37)	BLACK
2-1437621-3	KA-700-A-1/4	.750 (19.05)	.655 (16.6)	.590 (15.0)	.655 (16.6)	.157 (15.9)	.625 (15.9)	.512 (13.0)	.430 (10.9)	.251 (6.37)	CLEAR
2-1437621-4	KA-700-B-1/4	.750 (19.05)	.655 (16.6)	.590 (15.0)	.655 (16.6)	.157 (15.9)	.625 (15.9)	.512 (13.0)	.430 (10.9)	.251 (6.37)	BLACK
2-1437621-5	KA-900-A-1/4	.937 (28.8)	.817 (20.8)	.700 (17.8)	.817 (20.8)	.157 (15.9)	.625 (15.9)	.512 (13.0)	.430 (10.9)	.251 (6.37)	CLEAR
2-1437621-6	KA-900-B-1/4	.937 (28.8)	.817 (20.8)	.700 (17.8)	.817 (20.8)	.157 (15.9)	.625 (15.9)	.512 (13.0)	.430 (10.9)	.251 (6.37)	BLACK
1977113-1	KA-900A-NL-1/4	.937 (28.8)	.817 (20.8)	.700 (17.8)	.817 (20.8)	.157 (15.9)	.625 (15.9)	.512 (13.0)	.430 (10.9)	.251 (6.37)	CLEAR
-	KA-1250-A-1/4	1.250 (31.8)	1.110 (28.2)	.985 (25.0)	1.110 (28.2)	.157 (15.9)	.625 (15.9)	.512 (13.0)	.430 (10.9)	.251 (6.37)	CLEAR
1-1437621-8	KA-1250-B-1/4	1.250 (31.8)	1.110 (28.2)	.985 (25.0)	1.110 (28.2)	.157 (15.9)	.625 (15.9)	.512 (13.0)	.430 (10.9)	.251 (6.37)	BLACK

THIS DRAWING IS A CONTROLLED DOCUMENT FOR TYCO ELECTRONICS CORPORATION. IT IS SUBJECT TO CHANGE AND THE CONTROLLING ENGINEERING ORGANIZATION SHOULD BE CONTACTED FOR THE LATEST REVISION.

DWN M. BINNER 17NOV2008	Tyco Electronics Harrisburg, PA 17105-3608
CHK M. WILBOURN 17NOV2008	
APVD M. WILBOURN 17NOV2008	
PRODUCT SPEC -	
APPLICATION SPEC -	NAME KNOB KA SERIES
WEIGHT -	SIZE A3
CUSTOMER DRAWING	CAGE CODE 00779
	DRAWING NO. C-1-1437621-8
	RESTRICTED TO -
	SCALE 2.000
	SHEET 1 OF 1
	REV A

X-ON Electronics

Largest Supplier of Electrical and Electronic Components

Click to view similar products for [Knobs & Dials](#) category:

Click to view products by [TE Connectivity](#) manufacturer:

Other Similar products are found below :

[61-9028.20](#) [61-9028.9](#) [8519](#) [8529](#) [8573](#) [9-1437622-4](#) [11K5015-EMNB](#) [11K5019-ECNB](#) [11K5020-KLAB](#) [11K5028-JMNG](#) [11K5048-KMNB](#) [11K5014-EMNB](#) [11K5015-EMNG](#) [11K5015-KMNG](#) [11K5019-EMNB](#) [11K5029-KMNG](#) [P400S-08-D6-N](#) [K6510](#) [KNSL500B1/8](#) [5006](#) [KB700BA1/4](#) [411](#) [4-1437621-3](#) [5149A](#) [52-928.20](#) [52-928.60](#) [52-928.9](#) [8517](#) [8545](#) [8546](#) [8570](#) [8572](#) [H-516-3A](#) [P861H-0X-S6](#) [8544](#) [11K5014-JMNG](#) [11K5014-KMNG](#) [11K5014-ECNG](#) [5700E](#) [KA500B18](#) [KFS600B14](#) [KN900AB14](#) [KFS500B14](#) [KNS501B18](#) [PKD60B1018](#) [PK1100B18](#) [PKES140B14](#) [PKES150B14](#) [PKJT70B14](#) [5002-5](#)