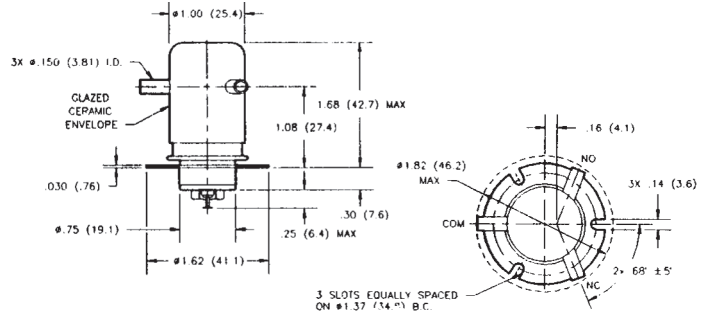
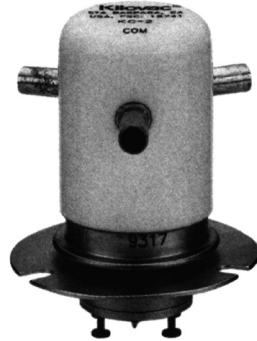


KC Series Make & Break Load Switching — 15 kV Relays (Continued)

KC-2
No Load Switching

Product Facts

- Vacuum dielectric for low and stable contact resistance
- Carries 50 Amps at DC; 10 Amps at 32 MHz
- Not designed for power switching



KC-8

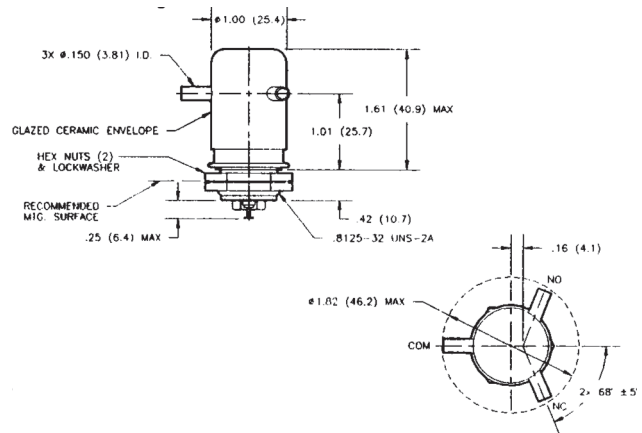
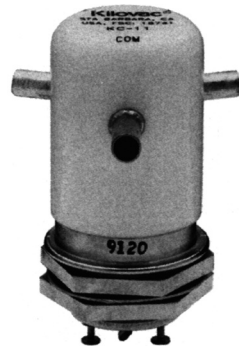
Product Facts for KC-8

- Not recommended for new design. See KC-14 on page 7-82 for replacement.

KC-11
No Load Switching

Product Facts

- Threaded base version of KC-2
- Vacuum dielectric for low leakage current applications



KC-12
Product Facts

- Not recommended for new design. See KC-18 on page 7-67 for replacement.
- Vacuum dielectric for power switching low current loads

Product Specifications for KC-2, KC-8, KC-11 and KC-12
Contact Arrangement — SPDT

- Contact Form — C
- Test Voltage, DC or 60 Hz (Peak) — 17 kV
- Rated Operating Voltage (Peak) — DC or 60 Hz — 15 kV
- 2.5 MHz — KC-2 and KC-11 — 12 kV
- 16 MHz — KC-2 and KC-11 — 9 kV
- 32 MHz — KC-2 and KC-11 — 7 kV

- Continuous Carry Current, Max. — DC or 60 Hz — KC-2 and KC-11 — 50 A
- KC-8 and KC-12 — 30 A
- 2.5 MHz — KC-2 and KC-11 — 30 A
- 16 MHz — KC-2 and KC-11 — 17 A
- 32 MHz — KC-2 and KC-11 — 10 A
- Coil Hi-Pot (Vrms, 60 Hz) — 500 A

For factory-direct application assistance, dial 800-253-4560, ext. 2055, or 805-220-2055.

- Contact Capacitance — Between Open Contacts — 0.5 pF
- Open Contacts to Ground — 1 pF
- Contact Resistance, Max. — KC-2 and KC-11 — 0.012 ohm
- KC-8 and KC-12 — 0.025 ohm
- Operate Time, Max. — 15 ms
- Release Time, Max. — 9 ms
- Shock, 11ms, 1/2 Sine (Peak) — 50 g
- Vibration — Peak — 10 g (55 to 500 Hz)
- Operating Ambient Temperature Range — -55°C to +125°C
- Mechanical Life — 1 million cycles
- Weight, Nominal — 85 g (3 oz.)

Coil Data

Nominal Volts DC	12 Vdc	26.5 Vdc	115 Vdc
Pickup, Max.	8 Vdc	16 Vdc	80 Vdc
Dropout	.5-5 Vdc	1-10 Vdc	5-50 Vdc
Coil Resistance (±10%)			
KC-2 and KC-11	60 Ω	250 Ω	3500 Ω
KC-8 and KC-12	48 Ω	180 Ω	2900 Ω

Ratings listed are for 25°C, sea level conditions

Ordering Information

Sample Part Number ▶ **KC- 2 /12Vdc**

Series: _____

Model: _____

Coil Voltage: _____

Blank = 26.5 Vdc /12Vdc = 12 Vdc /115Vdc = 115 Vdc

X-ON Electronics

Largest Supplier of Electrical and Electronic Components

Click to view similar products for [Industrial Relays](#) category:

Click to view products by [TE Connectivity](#) manufacturer:

Other Similar products are found below :

[6-1617801-8](#) [6-1618107-9](#) [7-1618273-3](#) [EV250-4A-02](#) [EV250-6A-01](#) [FCA-125-CX8](#) [FCA-325-159](#) [FCA-410-138](#) [8000-S3121](#) [8-1618273-6](#)
[8-1618393-1](#) [GCA63A220VAC60HZ](#) [GCA63A277VAC60HZ](#) [GCA63A600VAC60HZ](#) [1-1672275-3](#) [1-1833005-4](#) [H-16/S1](#) [A711Z](#) [H-8C](#)
[H-8/S11](#) [H-8/S68](#) [ACC530U20](#) [ACC730U30](#) [RF303ZM4-12](#) [DH18DA](#) [1423675-8](#) [AR4-15F13-C01](#) [AR7-41F11](#) [AVR907](#) [15732A200](#)
[B07B032AC1-0329](#) [B329](#) [B490A](#) [1618279-1](#) [BHR124Y](#) [1810DDB-SX](#) [N417](#) [P30C42A12D1-120](#) [2-1617748-6](#) [2-1618375-1](#) [2-1618396-6](#)
[2-1618398-1](#) [JMAPD-5XL](#) [JMGACD-5M](#) [JMGSC-5LW](#) [JMGSCD-5L](#) [PBO-18A1218](#) [PBO-40A3040](#) [K8DSPH1200480VAC](#) [KA-3C-12A](#)