

THIS DRAWING IS UNPUBLISHED.

RELEASED FOR PUBLICATION

REVISIONS

© COPYRIGHT - TE Connectivity Ltd.

ALL RIGHTS RESERVED.

| P | LTR | DESCRIPTION     | DATE      | DWN | APVD |
|---|-----|-----------------|-----------|-----|------|
|   | A   | INITIAL DRAWING | 25SEP2019 | VM  | JR   |

**Contact Capacitance** —

Between Open Contacts — 0.5 pF  
Open Contacts to Ground — 1 pF

**Contact Resistance, Max.** —

KC-2 and KC-11 — 0.012 ohm  
KC-8 and KC-12 — 0.025 ohm

**Operate Time, Max.** — 15 ms

**Release Time, Max.** — 9 ms

**Shock, 11ms, 1/2 Sine (Peak)** —  
50 g

**Vibration** —

Peak — 10 g (55 to 500 Hz)

**Operating Ambient Temperature Range** — -55°C to +125°C

**Mechanical Life** — 1 million cycles

**Weight, Nominal** —  
85 g (3 oz.)

**Product Specifications for KC-2, KC-8, KC-11 and KC-12**

**Contact Arrangement** — SPDT

**Contact Form** — C

**Test Voltage, DC or 60 Hz (Peak)** —  
17 kV

**Rated Operating Voltage (Peak)** —  
DC or 60 Hz — 15 kV

2.5 MHz — KC-2 and KC-11 — 12 kV  
16 MHz — KC-2 and KC-11 — 9 kV  
32 MHz — KC-2 and KC-11 — 7 kV

**Continuous Carry Current, Max.** —  
DC or 60 Hz — KC-2 and KC-11 — 50 A  
KC-8 and KC-12 — 30 A

2.5 MHz — KC-2 and KC-11 — 30 A  
16 MHz — KC-2 and KC-11 — 17 A  
32 MHz — KC-2 and KC-11 — 10 A  
Coil Hi-Pot (Vrms, 60 Hz) — 500 A

**Ordering Information**

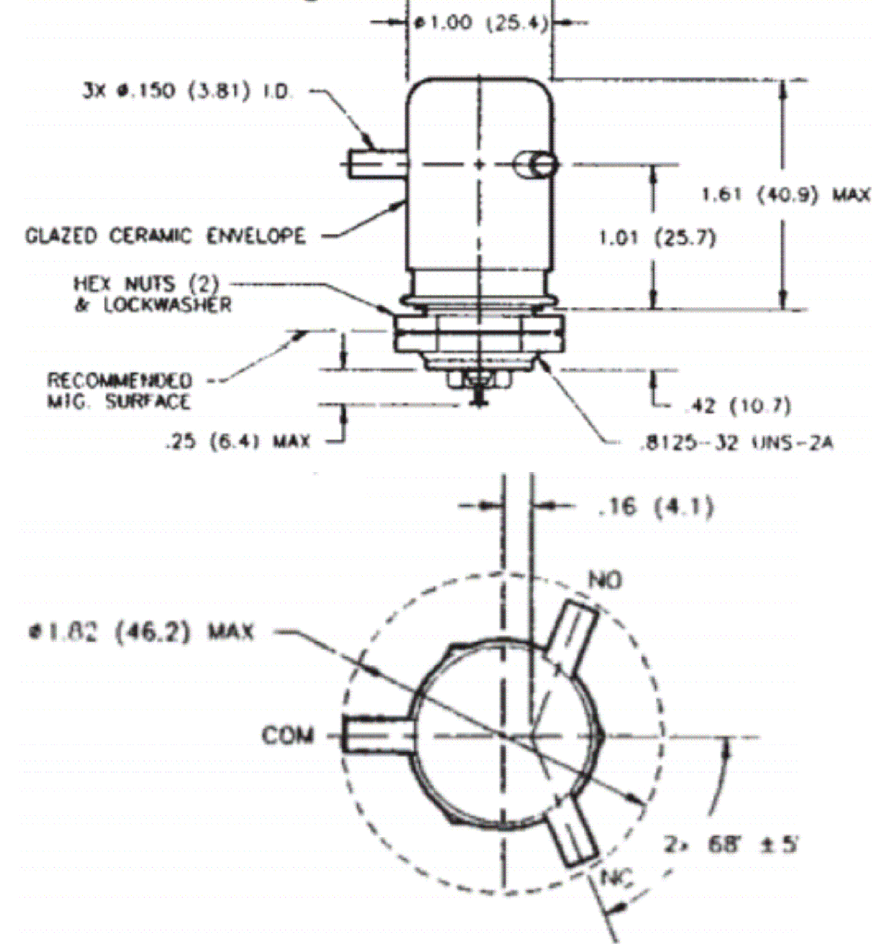
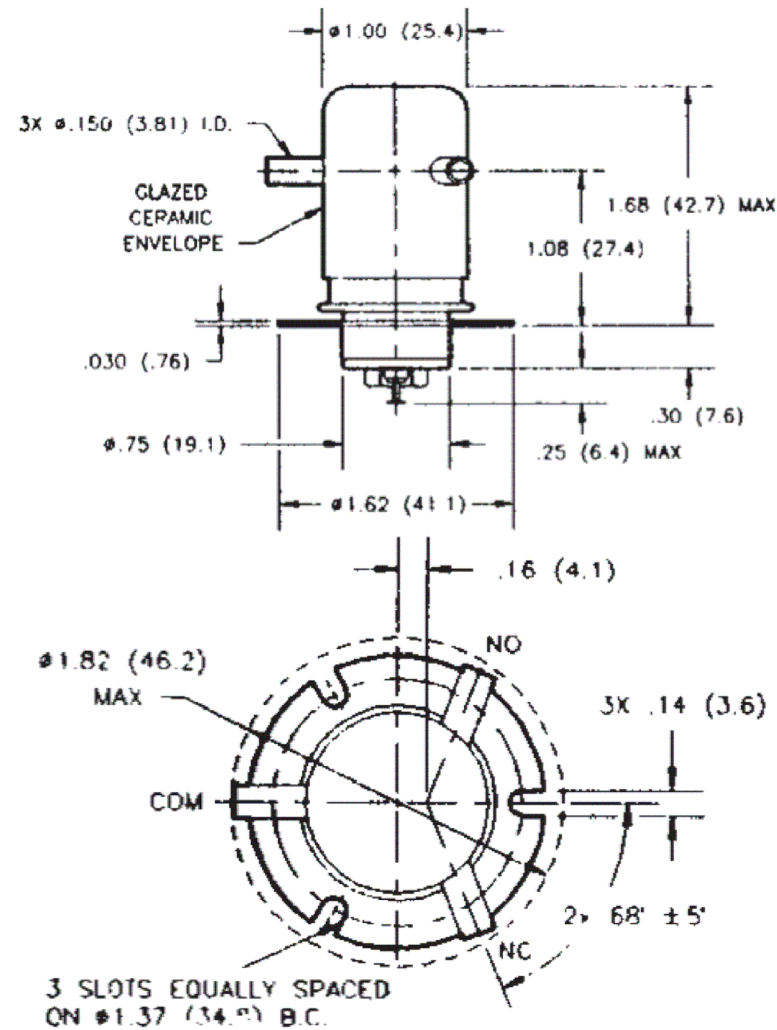
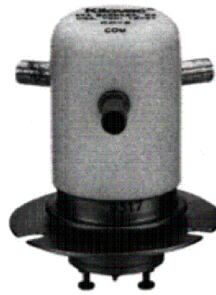
Sample Part Number ►

**KC- 2 /12Vdc**

Series: \_\_\_\_\_

Model: \_\_\_\_\_

Coil Voltage: \_\_\_\_\_  
Blank = 26.5 Vdc /12Vdc = 12 Vdc /115Vdc = 115 Vdc



**KC-2  
No Load Switching  
Product Facts**

- Vacuum dielectric for low and stable contact resistance
- Carries 50 Amps at DC; 10 Amps at 32 MHz
- Not designed for power switching

**KC-8  
Product Facts for KC-8**

- Not recommended for new design. See KC-14 on page 7-82 for replacement.

**KC-11  
No Load Switching  
Product Facts**

- Threaded base version of KC-2
- Vacuum dielectric for low leakage current applications

**KC-12  
Product Facts**

- Not recommended for new design. See KC-18 on page 7-67 for replacement.
- Vacuum dielectric for power switching low current loads

**Coil Data**

| Nominal Volts DC       | 12 Vdc   | 26.5 Vdc | 115 Vdc  |
|------------------------|----------|----------|----------|
| Pickup, Max.           | 8 Vdc    | 16 Vdc   | 80 Vdc   |
| Dropout                | .5-5 Vdc | 1-10 Vdc | 5-50 Vdc |
| Coil Resistance (±10%) |          |          |          |
| KC-2 and KC-11         | 60 Ω     | 250 Ω    | 3500 Ω   |
| KC-8 and KC-12         | 48 Ω     | 180 Ω    | 2900 Ω   |

Ratings listed are for 25°C, sea level conditions

ALL DIMENSIONS ARE IN INCHES(MM)

|  |  |  |     |           |  |  |  |
|--|--|--|-----|-----------|--|--|--|
| THIS DRAWING IS A CONTROLLED DOCUMENT. |  | DWN                                    | VM  | 25SEP2019 | TE Connectivity                                      |  |  |
|  |  | CHK                                    | RV  | 25SEP2019 |  |  |  |
|  |  | APVD                                   | JR  | 25SEP2019 |  |  |  |
|  |  | PRODUCT SPEC                           |     |           |  |  |  |
| DIMENSIONS: INCHES                     |  | TOLERANCES UNLESS OTHERWISE SPECIFIED: |     |           | NAME   |  |  |
|  |  | 0 PLC                                  | ± - |           | KC-2, 8, 11, 12 SERIES MAKE AND BREAK LOAD SWITCHING |  |  |
|  |  | 1 PLC                                  | ± - |           | SIZE   |  |  |
|  |  | 2 PLC                                  | ± - |           | CAGE CODE  |  |  |
|  |  | 3 PLC                                  | ± - |           | DRAWING NO   |  |  |
|  |  | 4 PLC                                  | ± - |           | RESTRICTED TO  |  |  |
|  |  | ANGLES                                 | ± - |           | A3   |  |  |
| MATERIAL                               |  | FINISH                                 |     |           | C=KC-2,8,11,12-SERIES                                |  |  |
|  |  |  |     |           | WEIGHT   |  |  |
|  |  |  |     |           | CUSTOMER DRAWING                                     |  |  |
|  |  |  |     |           | SCALE NTS  |  |  |
|  |  |  |     |           | SHEET 1 OF 1   |  |  |
|  |  |  |     |           | REV A  |  |  |

## X-ON Electronics

Largest Supplier of Electrical and Electronic Components

*Click to view similar products for [Industrial Relays](#) category:*

*Click to view products by [TE Connectivity](#) manufacturer:*

Other Similar products are found below :

[6-1617801-8](#) [6-1618107-9](#) [7-1618273-3](#) [EV250-4A-02](#) [EV250-6A-01](#) [FCA-125-CX8](#) [FCA-325-159](#) [FCA-410-138](#) [8000-S3121](#) [8-1618273-6](#)  
[8-1618393-1](#) [GCA63A220VAC60HZ](#) [GCA63A277VAC60HZ](#) [GCA63A600VAC60HZ](#) [1-1672275-3](#) [1-1833005-4](#) [H-16/S1](#) [A711Z](#) [H-8C](#)  
[H-8/S11](#) [H-8/S68](#) [ACC530U20](#) [ACC730U30](#) [RF303ZM4-12](#) [DH18DA](#) [1423675-8](#) [AR4-15F13-C01](#) [AR7-41F11](#) [AVR907](#) [15732A200](#)  
[B07B032AC1-0329](#) [B329](#) [B490A](#) [1618279-1](#) [BHR124Y](#) [1810DDB-SX](#) [N417](#) [P30C42A12D1-120](#) [2-1617748-6](#) [2-1618375-1](#) [2-1618396-6](#)  
[2-1618398-1](#) [JMAPD-5XL](#) [JMGACD-5M](#) [JMGSC-5LW](#) [JMGSCD-5L](#) [PBO-18A1218](#) [PBO-40A3040](#) [K8DSPH1200480VAC](#) [KA-3C-12A](#)