

KC-Series — 25 kV Relays

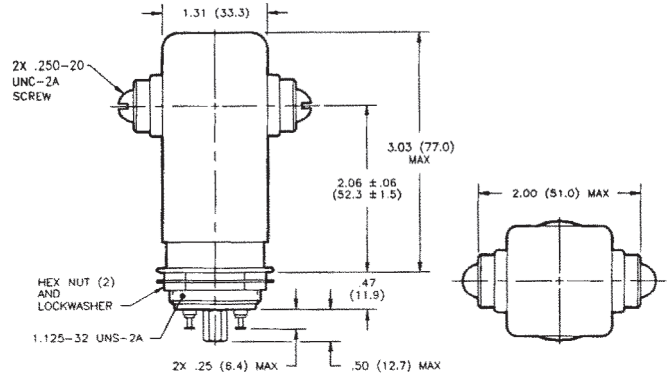
**KC-22, KC-32
Make & Break Load
Switching**

Product Facts for KC-22

- Tungsten contacts for power switching

Product Facts for KC-32

- Normally closed version of KC-22
- Vacuum dielectric for power switching low current loads



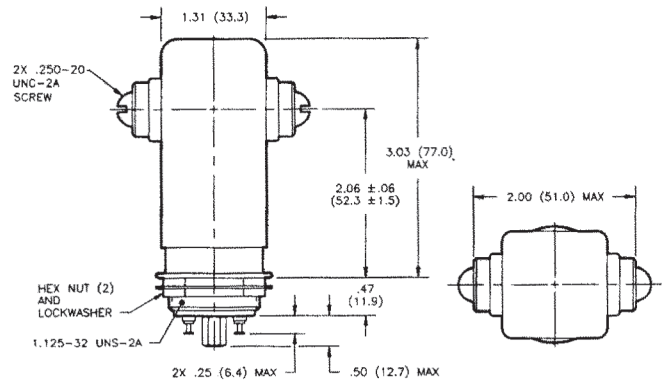
**KC-28, KC-38
Make Only Load Switching**

Product Facts for KC-28

- SF-6 gas-filled for capacitive discharge and “make only” applications
- Capable of switching 2000 Amps peak capacitive discharge for 400 nanoseconds

Product Facts for KC-38

- Normally closed version of KC-28
- SF-6 gas-filled for capacitive discharge and “make only” applications



**Product Specifications for
KC-22, KC-32, KC-28 & KC-38**

- Contact Arrangement** —
 KC-22 and KC-28 — SPST-NO
 KC-32 and KC-38 — SPST-NC
- Contact Form** —
 KC-22 and KC-28 — X
 KC-32 and KC-38 — Y
- Test Voltage, DC or 60 Hz (Peak)** —
 28 kV
- Rated Operating Voltage (Peak)** —
 DC or 60 Hz — 25 kV

- Continuous Carry Current, Max.** —
 DC or 60 Hz — KC-22 — 65 A
 KC-32 — 45 A
 KC-28 — 30 A
 KC-38 — 15 A
 Coil Hi-Pot (Vrms, 60 Hz) — 500 A

- Contact Capacitance** —
 Between Open Contacts —
 KC-22 and KC-32 — 2.5 pF
 Open Contacts to Ground —
 KC-22 and KC-32 — 2.5 pF

- Contact Resistance, Max.** —
 KC-22 — 0.005 ohm
 KC-32 — 0.01 ohm
 KC-28 — 1.0 ohm*
 KC-38 — 1.0 ohm*

- Operate Time, Max.** — 18 ms
Release Time, Max. —
 KC-22 and KC-28 — 10 ms
 KC32 and KC-38 — 20 ms

- Shock, 11ms, 1/2 Sine (Peak)** —
 30 g
Vibration —
 Peak — 10 g (55 to 500 Hz)
Operating Ambient Temperature Range — -55°C to +125°C
Mechanical Life — 2 million cycles
Weight, Nominal — 340 g (12 oz.)

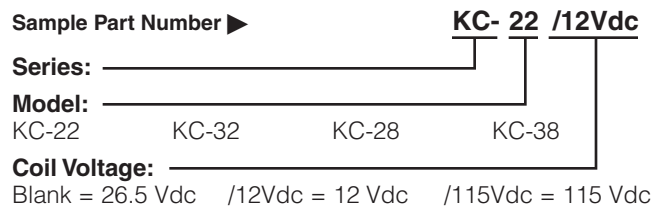
Coil Data

Volts, Nominal DC	12 V	26.5 V	115 V
Pickup, Max.	8 Vdc	16 Vdc	80 Vdc
Dropout	.5-5 Vdc	1-10 Vdc	5-50 Vdc
Coil Resistance (±10%)	24 Ω	120 Ω	2000 Ω

Ratings listed are for 25°C, sea level conditions

For factory-direct application assistance, dial 800-253-4560, ext. 2055, or 805-220-2055.

Ordering Information



X-ON Electronics

Largest Supplier of Electrical and Electronic Components

Click to view similar products for [Industrial Relays](#) category:

Click to view products by [TE Connectivity](#) manufacturer:

Other Similar products are found below :

[6-1618400-7](#) [686-117111](#) [686-120111](#) [EV250-4A-02](#) [EV250-6A-01](#) [FCA-125-CX8](#) [FCA-410-138](#) [8-1618393-1](#) [GCA32A208VAC60HZ](#)
[GCA32A220VAC50/60HZ](#) [GCA32A230VAC50/60HZ](#) [GCA32A240VAC50/60HZ](#) [GCA32A48VAC60HZ](#) [GCA63A120VAC50/60HZ](#)
[GCA63A208VAC60HZ](#) [GCA63A220VAC60HZ](#) [GCA63A230VAC50/60HZ](#) [GCA63A240VAC50/60HZ](#) [GCA63A277VAC60HZ](#)
[GCA63A48VAC60HZ](#) [GCA63A500VAC50/60HZ](#) [GCA63A600VAC60HZ](#) [GCA800A200VACDC](#) [GCA95A110VAC50/60HZ](#)
[GCA95A120VAC50/60HZ](#) [GCA95A12VDC](#) [GCA95A240VAC50/60HZ](#) [GCA95A24VAC50/60HZ](#) [GCA95A48VAC60HZ](#) [ACC530U20](#)
[ACC730U30](#) [1395832-1](#) [RM699BV-3011-85-1005](#) [RMIA210230AC](#) [RMIA45024AC](#) [1423675-8](#) [B07B032AC1-0329](#) [B329](#) [1617807-1](#)
[N417](#) [P25-E5019-1](#) [P30C42A12D1-120](#) [2-1618398-1](#) [PBO-18A1218](#) [2307497](#) [RPYA00324LT](#) [RPYA003A120LT](#) [KR-4539-1](#)
[RT334012WG](#) [S160156115](#)