

THIS DRAWING IS UNPUBLISHED.

RELEASED FOR PUBLICATION

REVISIONS

© COPYRIGHT - TE Connectivity Ltd.

ALL RIGHTS RESERVED.

P	LTR	DESCRIPTION	DATE	DWN	APVD
	A	INITIAL DRAWING	25SEP2019	VM	JR

### Contact Capacitance —

Between Open Contacts — 0.5 pF  
Open Contacts to Ground — 1 pF

### Contact Resistance, Max. —

KC-2 and KC-11 — 0.012 ohm  
KC-8 and KC-12 — 0.025 ohm

**Operate Time, Max. — 15 ms**

**Release Time, Max. — 9 ms**

**Shock, 11ms, 1/2 Sine (Peak) — 50 g**

### Vibration —

Peak — 10 g (55 to 500 Hz)

### Operating Ambient Temperature Range — -55°C to +125°C

**Mechanical Life — 1 million cycles**

### Weight, Nominal —

85 g (3 oz.)

### Product Specifications for KC-2, KC-8, KC-11 and KC-12

**Contact Arrangement — SPDT**

**Contact Form — C**

**Test Voltage, DC or 60 Hz (Peak) — 17 kV**

### Rated Operating Voltage (Peak) —

DC or 60 Hz — 15 kV

2.5 MHz — KC-2 and KC-11 — 12 kV

16 MHz — KC-2 and KC-11 — 9 kV

32 MHz — KC-2 and KC-11 — 7 kV

### Continuous Carry Current, Max. —

DC or 60 Hz — KC-2 and KC-11 — 50 A  
KC-8 and KC-12 — 30 A

2.5 MHz — KC-2 and KC-11 — 30 A

16 MHz — KC-2 and KC-11 — 17 A

32 MHz — KC-2 and KC-11 — 10 A

Coil Hi-Pot (Vrms, 60 Hz) — 500 A

### Ordering Information

Sample Part Number ▶

**KC- 2 /12Vdc**

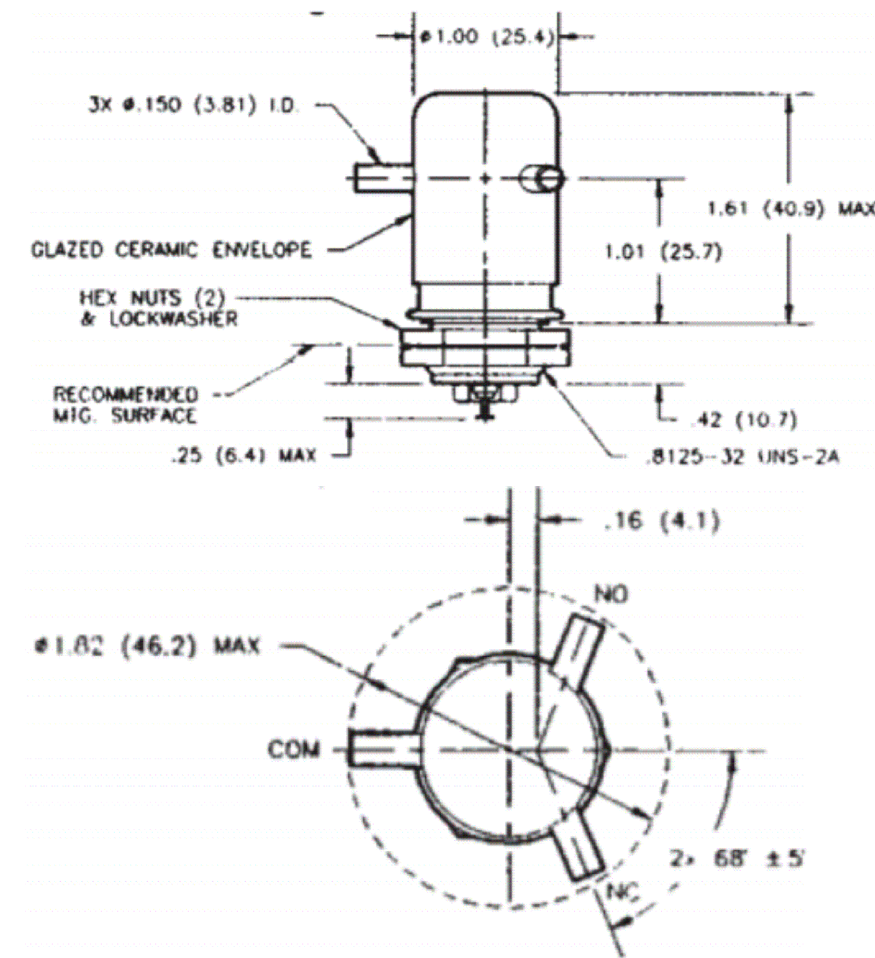
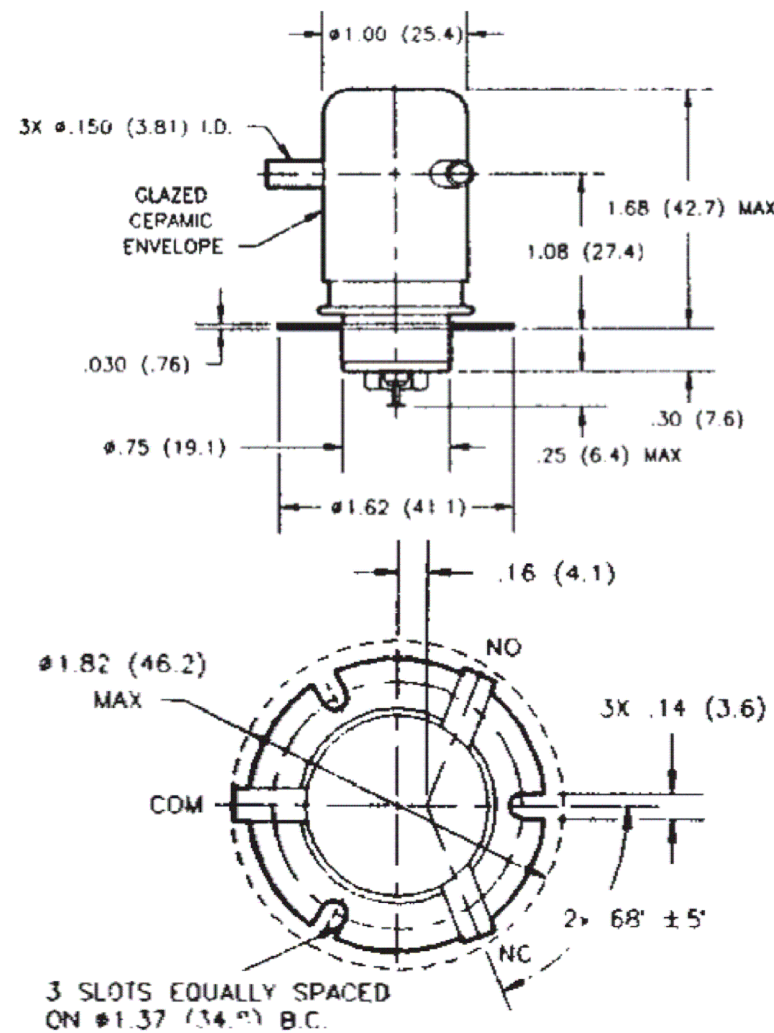
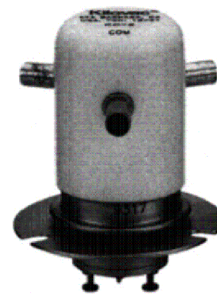
Series: \_\_\_\_\_

Model: \_\_\_\_\_

2                    8                    11                    12

Coil Voltage: \_\_\_\_\_

Blank = 26.5 Vdc   /12Vdc = 12 Vdc   /115Vdc = 115 Vdc



### KC-2 No Load Switching Product Facts

- Vacuum dielectric for low and stable contact resistance
- Carries 50 Amps at DC; 10 Amps at 32 MHz
- Not designed for power switching

### KC-8 Product Facts for KC-8

- Not recommended for new design. See KC-14 on page 7-82 for replacement.

### KC-11 No Load Switching Product Facts

- Threaded base version of KC-2
- Vacuum dielectric for low leakage current applications

### KC-12 Product Facts

- Not recommended for new design. See KC-18 on page 7-67 for replacement.
- Vacuum dielectric for power switching low current loads

### Coil Data

Nominal Volts DC	12 Vdc	26.5 Vdc	115 Vdc
Pickup, Max.	8 Vdc	16 Vdc	80 Vdc
Dropout	.5-5 Vdc	1-10 Vdc	5-50 Vdc
Coil Resistance ( $\pm 10\%$ )			
KC-2 and KC-11	60 $\Omega$	250 $\Omega$	3500 $\Omega$
KC-8 and KC-12	48 $\Omega$	180 $\Omega$	2900 $\Omega$

Ratings listed are for 25°C, sea level conditions

ALL DIMENSIONS ARE IN INCHES(MM)

THIS DRAWING IS A CONTROLLED DOCUMENT.		DWN VM	25SEP2019	TE Connectivity	
		CHK RV	25SEP2019		
		APVD JR	25SEP2019	NAME KC-2, 8, 11, 12 SERIES MAKE AND BREAK LOAD SWITCHING	
DIMENSIONS: INCHES		TOLERANCES UNLESS OTHERWISE SPECIFIED:		PRODUCT SPEC	
		0 PLC	$\pm -$	APPLICATION SPEC	
		1 PLC	$\pm -$	-	
		2 PLC	$\pm -$	-	
		3 PLC	$\pm -$	-	
		4 PLC ANGLES	$\pm -$	SIZE A3	
MATERIAL -		FINISH -		CAGE CODE -	DRAWING NO. C-KC-2,8,11,12-SERIES
				RESTRICTED TO -	SCALE NTS
				SHEET 1 OF 1	
				REV A	

## X-ON Electronics

Largest Supplier of Electrical and Electronic Components

*Click to view similar products for [Industrial Relays](#) category:*

*Click to view products by [TE Connectivity](#) manufacturer:*

Other Similar products are found below :

[6-1617801-8](#) [6-1618107-9](#) [7-1618273-3](#) [EV250-4A-02](#) [EV250-6A-01](#) [FCA-125-CX8](#) [FCA-325-159](#) [FCA-410-138](#) [8000-S3121](#) [8-1618273-6](#)  
[8-1618393-1](#) [GCA63A220VAC60HZ](#) [GCA63A277VAC60HZ](#) [GCA63A600VAC60HZ](#) [1-1672275-3](#) [1-1833005-4](#) [H-16/S1](#) [A711Z](#) [H-8C](#)  
[H-8/S11](#) [H-8/S68](#) [ACC530U20](#) [ACC730U30](#) [RF303ZM4-12](#) [DH18DA](#) [1423675-8](#) [AR4-15F13-C01](#) [AR7-41F11](#) [AVR907](#) [15732A200](#)  
[B07B032AC1-0329](#) [B329](#) [B490A](#) [1618279-1](#) [BHR124Y](#) [1810DDB-SX](#) [N417](#) [P30C42A12D1-120](#) [2-1617748-6](#) [2-1618375-1](#) [2-1618396-6](#)  
[2-1618398-1](#) [JMAPD-5XL](#) [JMGACD-5M](#) [JMGSC-5LW](#) [JMGSCD-5L](#) [PBO-18A1218](#) [PBO-40A3040](#) [K8DSPH1200480VAC](#) [KA-3C-12A](#)