



KILOVAC KCS01 Current-Sensing High-Voltage Contactor

100 V / 600 VDC Bi-Directional Power Switching in a Rugged, Compact Package with Integrated Current Sensor and Current Trip Function

KILOVAC KCS01 Current-Sensing High-Voltage Contactor

Compact Package with Integrated Current Sensor and Current Trip Function



The new KILOVAC Current Sensing [KCS] Contactors from TE Connectivity (TE) eliminate the need for a discrete current sensor, saving the customer money, weight and space. The sensor function also has a programmable trip feature, allowing for immediate, delayed or disabled trip.

Rugged Reliability

In addition to the integrated current sensing feature, KSC01 contactors are rugged and hermetically sealed, making them suitable for a variety of applications in harsh, corrosive and explosive environments. Even after long periods of non-operation, the contacts are impervious to oxidation and contamination.

Versatile and Efficient

The KCS01 contactor is extremely small and lightweight. It features bidirectional switching and an integrated dual-coil electronic economizer with internal coil suppression, and can be mounted in any orientation. Main contacts are not polarity sensitive, and the KSC01 is EMC compliant with no radiated coil emissions.

Specifications

MAIN CONTACTS

- **Contact Arrangement:** SPST-NO (Form X)
- **Voltage Rating, Switching:** 600 VDC max.
- **Current Rating, Continuous:** ± 100 A
- **Current Rating, Short Term:** ± 200 A / 3 minutes
- **Contact Resistance, Main Contacts:** 0.75 m Ω max. at rated current
- **Hot-Switching Performance, Resistive Load**
 - 1 A / 600 VDC: 1,000,000 cycles
 - 100 A / 28 VDC: 100,000 cycles
 - 100 A / 400 VDC: 25,000 cycles
 - 100 A / 600 VDC: 20,000 cycles
 - 1000 A / 28 VDC: 100 cycles
 - 1000 A / 400 VDC: 10 cycles
 - 1000 A / 600 VDC: 5 cycles
- **Maximum Pulse Through Closed Contacts:** 1250 A (half cycle, 60 Hz)
- **Dielectric Withstanding Voltage:**
 - Between Open Contacts: 2200 V_{rms}
 - Contacts to Coil: 2200 V_{rms} / 1500 VDC
- **Insulation Resistance (Terminal to Terminal; Terminals to Coil):**

Beginning of Life	100 M Ω min. @ 500 VDC
End of Life	50 M Ω min. @ 500 VDC

TE Components . . . TE Technology . . . TE Know-how . . .
AMP | AGASTAT | CII | HARTMAN | KILOVAC | MICRODOT | NANONICS | POLAMCO | Raychem | Rochester | DEUTSCH
SEACON Phoenix | LL ROWE | Phoenix Optix | AFP | SEACON

Get your product to market faster with a smarter, better solution.

INTEGRATED CURRENT SENSOR

- Saves space by eliminating the need for external sensor
- Simplifies design
- Flexible configuration for application needs

HERMETICALLY SEALED

- Suitable for application in harsh, explosive, and corrosive environments
- No oxidation or contamination of contacts, including long periods of non-operation

SPACE AND WEIGHT SAVINGS

- Extremely small size
- Lightweight contactor: 145 grams

VERSATILE

- Bidirectional switching
- Main contacts not polarity sensitive
- Not position sensitive: mounts in any orientation

EFFICIENT

- Integrated dual-coil electronic economizer with coil suppression
- EMC compliant: no radiated coil emissions

APPLICATIONS

- Energy Storage/Battery Storage
- Power Distribution
- Power Motion Control
- High-Voltage DC Converter Systems
- Alternative Energy
- Military and Commercial Electric Vehicles
- Test Equipment



MECHANICAL/ENVIRONMENTAL

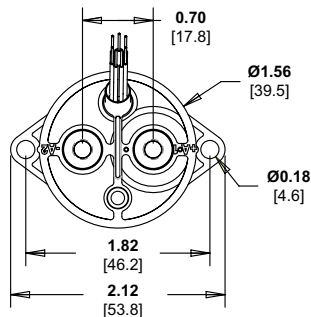
- **Mechanical Life:** 1,000,000 cycles
- **Shock:** 11 ms 1/2 sine (operating), 20 g peak
- **Sine Vibration:** 20 g peak (operating), 55-2000 Hz
- **Operating Temperature Range:** -40 to +105 °C
- **RoHS Compliant**

- **Weight, Nominal:** 145 grams
- **Hermetically Sealed:** Safe for harsh/corrosive environments
- **Nonoxidizing:** No contact oxidation over periods of nonuse
- **Mounting:** Not position-sensitive
- **Noise Emission (at 100 mm distance):** 70 dBa

Coil Data

At 20°C (Internal Two-Coil Economizer)

	12 V Coil	24 V Coil
Coil Voltage Range	9-14 VDC	18-28 VDC
Nominal Pickup Current	4.5 A	4.0 A
Nominal Holding Current	0.22 A	0.125 A
Pickup Voltage	≥9 VDC	≥18 VDC
Dropout Voltage	≤5 VDC	≤12 VDC
Pickup Pulse (max)	40 ms	40 ms
Coil Resistance ±5%	2.5 Ω Pickup/54 Ω Hold	7.5 Ω Pickup/210 Ω Hold
Coil Holding Power	2.7 W	5.5 W
Main Contacts:		
Operate Time (max)	20 ms	20 ms
Operate Bounce (max)	3 ms	3 ms
Release Time	5 ms	5 ms
Current Sensing		
Sensing Range (8% accurate -40°C to +105°C)	±10 - 150 A	±10 - 150 A
Null Output @ I = 0	2.5 (±0.04) VDC	2.5 (±0.04) VDC
Output Voltage vs. Current (VDC)	$V(I) = \pm I (.013) + 2.50$	
Current Trip Point vs. Setpoint Resistance	See Pages 5 and 6	
Hysteresis (-40°C to + 105°C)	8% of Full Scale Output	



MOUNTING - 2 PLCS (HARDWARE NOT SUPPLIED)
2 X M4 BOLT, LOCKWASHER AND WASHER
TORQUE: 20 IN-LBS (2.3 NM) MAX

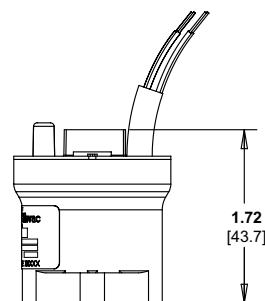
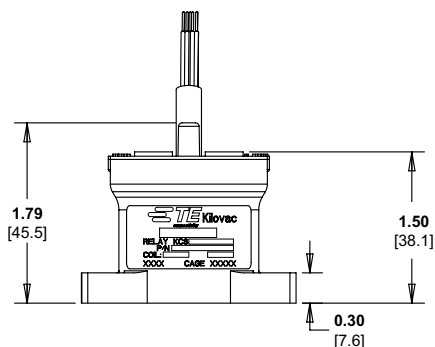
LOAD TERMINALS-2 PLCS (HARDWARE NOT SUPPLIED)
2 X M5 BOLT, LOCKWASHER AND WASHER
TORQUE: 30-40 IN-LBS (3.4 TO 4.5 NM)
DEPTH: 7 THREADS MAX



OBSERVE PROPER POLARITIES FOR CONTROL LINES
UNTERMINATED WIRES - USE ESD HANDLING PROCEDURES

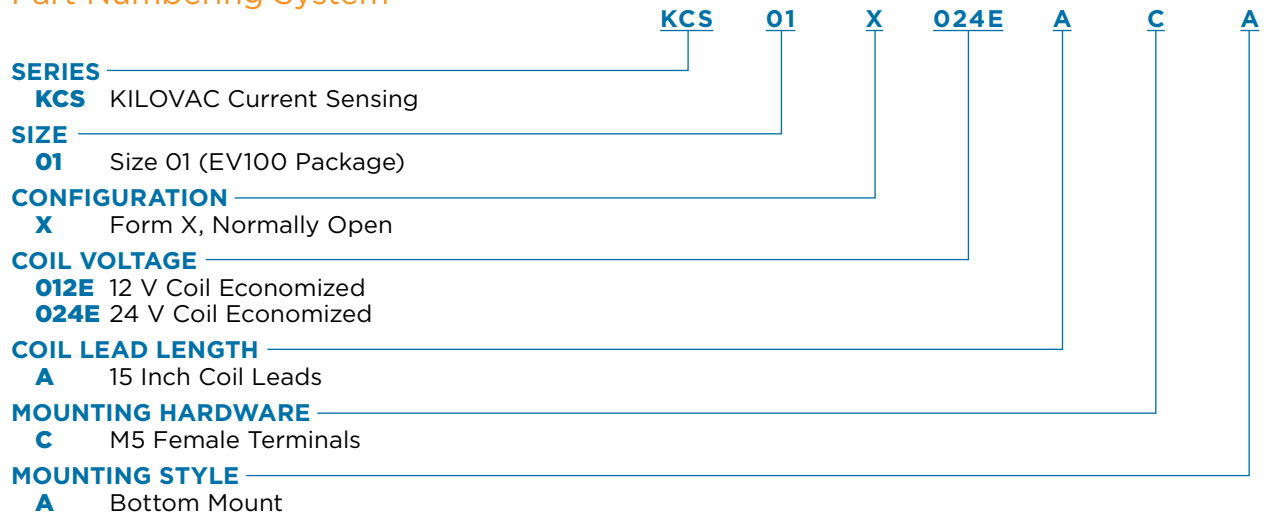
LEADS ARE 26 AWG. LENGTH = 15" +/- 0.
FROM TOP OF TERMINAL SEAT

RED = +V_{coil}
BLACK = RETURN
PURPLE = TRIP DELAY/DISABLE
ORANGE = CURRENT SENSE POWER
WHITE = CURRENT SENSE OUTPUT
BLUE = Rx CONNECTION
YELLOW = Rx CONNECTION





Part Numbering System

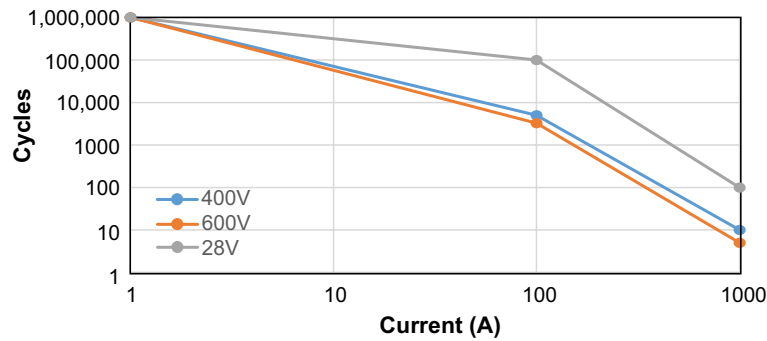


Part Numbers

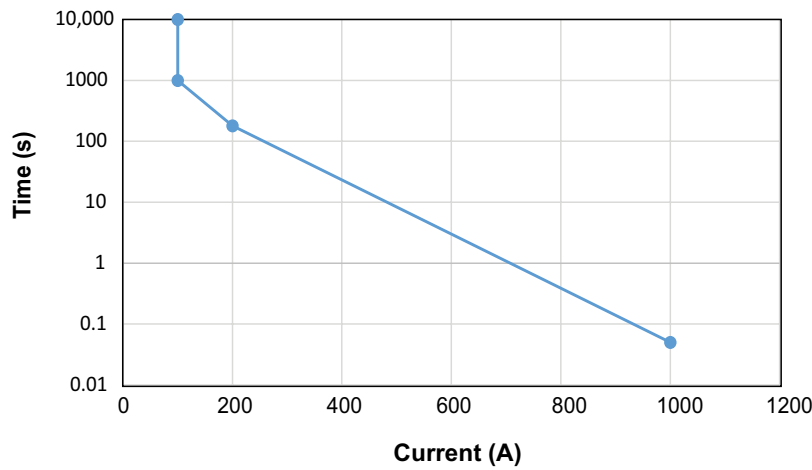
Coil Voltage	Part No.
12 VDC	KCS01X012EACA
24 VDC	KCS01X024EACA



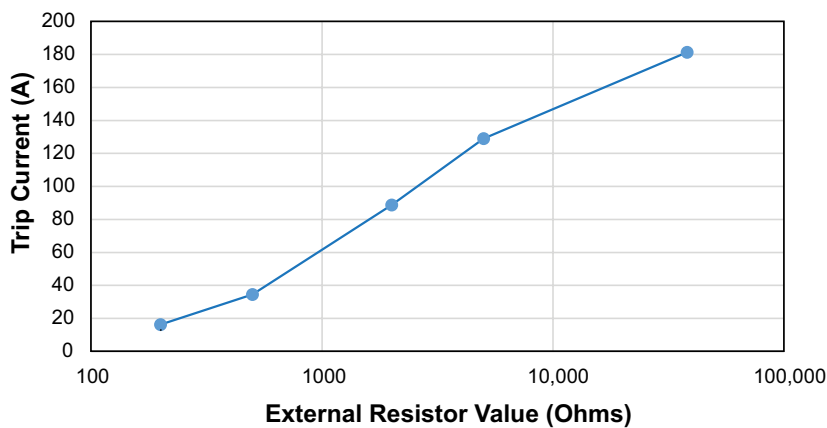
Load Life: Resistive Load Switching



Current Carry vs. Time



Trip Function/Trip Delay





Trip Setpoint Resistor (10 A to 150 A)

Connect Rx across Blue and Yellow for Trip Setpoint

Connect Purple to RTN to Disable Trip Function or Connect Purple to External Capacitor Tied to RTN to Delay Trip, 7 ms/ μ F

Connect Orange to V+ To Enable Trip and Current Sensing

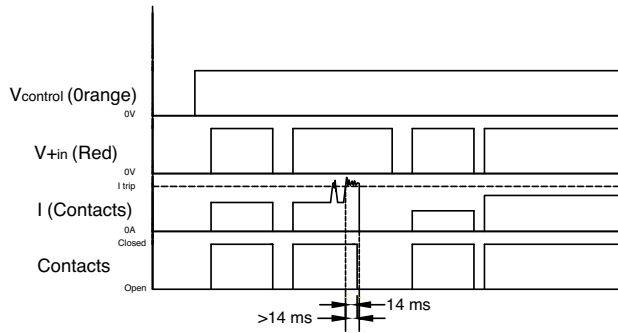
Reset Tripped Contacts by Cycling V+ Off to On

Intrinsic Trip Delay (Blue/Yellow Not Connected to Rx) = 14 ms

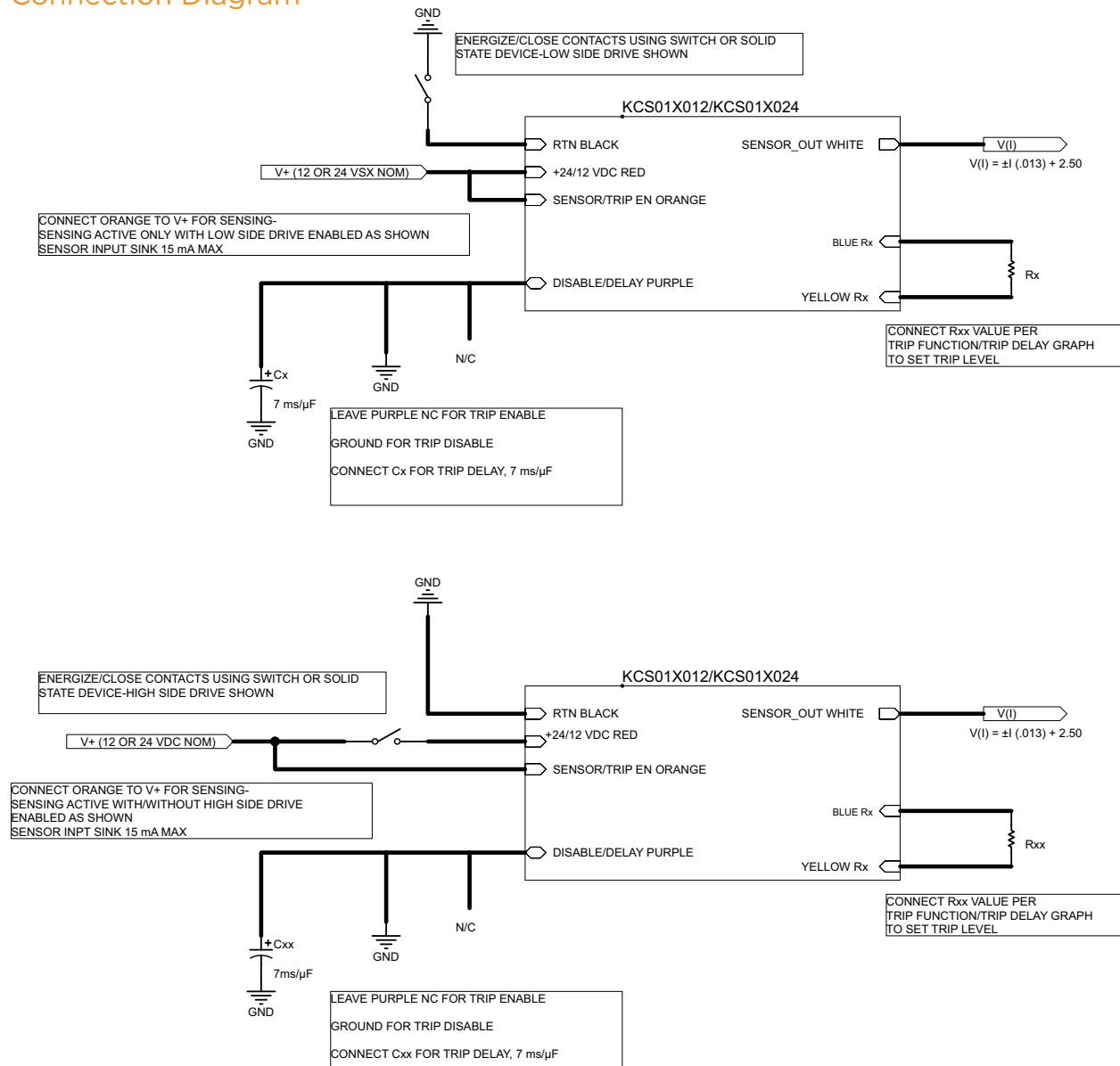
Input					Output		
Control (Orange)	V+ (Red)	RTN (Black)	Main Contact Current (A)	Trip Disable/ Time Delay (Purple)	Trip Set Rx (Blue) Trip Set Ax (Yellow)	Hall Output (V) (White)	Main Contacts Top Post
0	Vnom	0	0	NON-ACTIVE	NON-ACTIVE	0	ON (NO TD)
0	0	0	0	NON-ACTIVE	NON-ACTIVE	0	OFF(NO TD)
1	0	0	0	OPEN	OPEN	2.5	OFF
1	Vnom	0	180 A \pm 7%	OPEN	30K	4.84 (2.5 when relay trip)	RELAY TRIP OPEN AFTER 14 ms
1	0 then 1 remove and re-apply power	0	\leq 167 A	OPEN	30K	2.5	ON (NO TD)
1	Vnom	0	0	GND (TRIP DISABLE)	X	2.5	ON (NO TD)
1	Vnom	0	180 A \pm 7%	GND (TRIP DISABLE)	X	4.84	ON (NO TD)
1	0	0	0	GND (TRIP DISABLE)	X	2.5	OFF(NO TD)
1	Vnom	0	0	1 μ F is added between Purple and RTN	30K	2.5	ON (NO TD)
1	Vnom	0	180 A \pm 7%	10 μ F is added between Purple and RTN	30K	4.84 (2.5 when relay trip)	RELAY TRIP OPEN AFTER 82 ms
1	Vnom	0	180 A \pm 7%	10 μ F is added between Purple and RTN	30K	4.84 (2.5 when relay trip)	RELAY TRIP OPEN AFTER 720 ms
1	0 then Vnom remove and re-apply power	0	\leq 167 A	10 μ F is added between Purple and RTN	30K	2.5	ON (NO TD)



Timing Diagram



Connection Diagram



LET'S CONNECT

We make it easy to connect with our experts and are ready to provide all the support you need. Just call your local support number or visit www.te.com/industrial to chat with a Product Information Specialist.

Technical Support

te.com/support-center

North America	+1 800 522 6752	Asia Pacific	+86 400 820 6015
North America (Toll)	+1 717 986 7777	Japan	+81 044 844 8180
EMEA/South Africa	+800 0440 5100	Australia	+61 2 9554 2695
EMEA (Toll)	+31 73 624 6999	New Zealand	+64 (0) 9 634 4580
India (Toll-Free)	+800 440 5100		

te.com/kcs01

AMP, AGASTAT, CII, DEUTSCH, HARTMAN, KILOVAC, LL ROWE, MICRODOT, NANONICS, POLAMCO, Raychem, SEACON, TE, TE Connectivity and the TE connectivity (logo) are trademarks of the TE Connectivity Ltd. family of companies. Other products, logos, and company names mentioned herein may be trademarks of their respective owners.

While TE Connectivity (TE) has made every reasonable effort to ensure the accuracy of the information herein, nothing herein constitutes any guarantee that such information is error-free, or any other representation, warranty or guarantee that the information is accurate, correct, reliable or current. The TE entity issuing this publication reserves the right to make any adjustments to the information contained herein at any time without notice. All implied warranties regarding the information contained herein, including, but not limited to, any implied warranties of merchantability or fitness for a particular purpose are expressly disclaimed. The dimensions herein are for reference purposes only and are subject to change without notice. Specifications are subject to change without notice.

Consult TE for the latest dimensions and design specifications.

© 2016 TE Connectivity Ltd. family of companies All Rights Reserved.

0-0000000-0 12/16

X-ON Electronics

Largest Supplier of Electrical and Electronic Components

Click to view similar products for [Contactors - Electromechanical category:](#)

Click to view products by [TE Connectivity manufacturer:](#)

Other Similar products are found below :

[6-1618400-7](#) [686-117111](#) [686-120111](#) [686-924](#) [686-948](#) [70-901](#) [70-914](#) [MB-3D-6](#) [MC-22A/4-AC120V](#) [8-1616943-9](#) [8-1672124-5](#)
[A40-30-10-84](#) [120-905](#) [A701U](#) [120-904](#) [1393132-9](#) [154-905](#) [154-912](#) [154-913](#) [154-915](#) [154-902](#) [154-910](#) [AVR743D](#) [B6-40-00-84](#) [B7-40-00-84](#) [1616017-5](#) [1616021-1](#) [MVDILM](#) [HP-11D-24](#) [P25-E5019-1](#) [P30C47A12D1-120](#) [P40C47A12D1-120](#) [P40P47D13P1-24-01](#) [CA7-12-10-240](#) [CA7-72-00-24Z](#) [90-162](#) [9-1393132-2](#) [2NC4F0222](#) [A275KXXV2-120VAC](#) [ACC338UMM20](#) [AF80-30-11-13](#) [SZ-B1](#) [CGC-9A-120](#) [3GC2H0M22](#) [3NC0T0A22](#) [3NC1Q0A22](#) [3NC2H0A22](#) [3NC2T0122/SE](#) [3TF3400-0BB4](#) [MC-12B-DC24V](#)