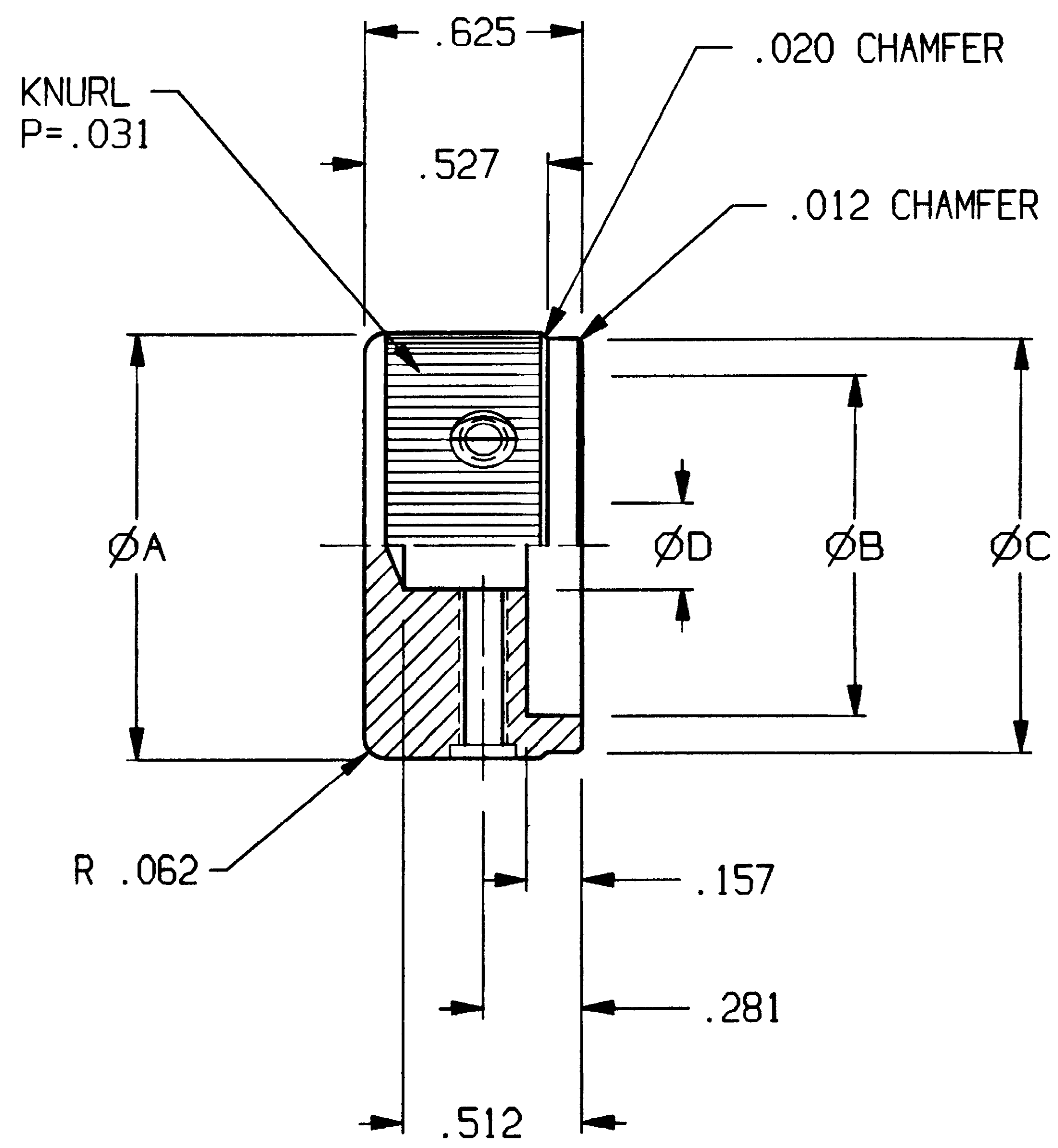
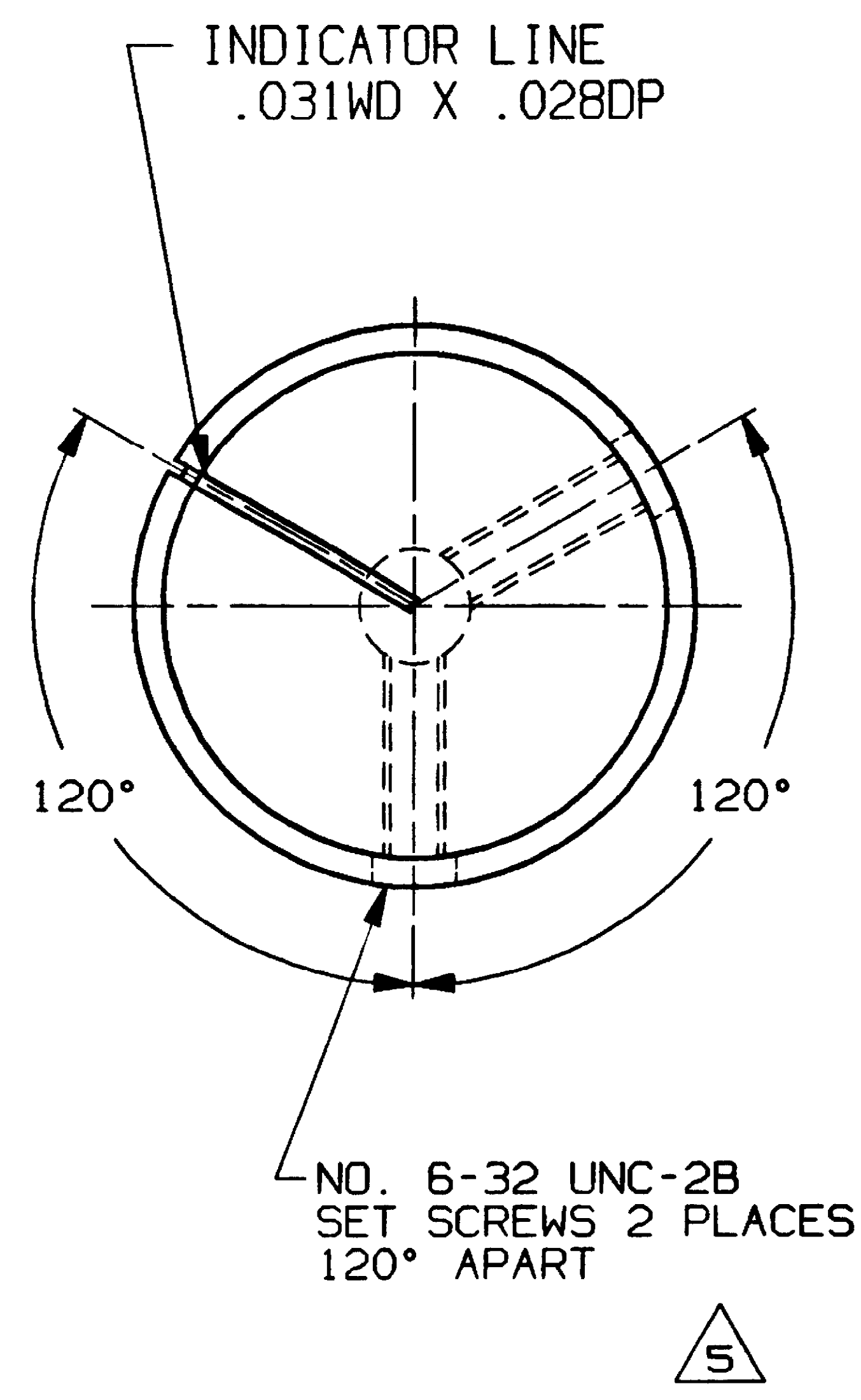


CONVERSION CHART		CONVERSION CHART	
INCH	MM	INCH	MM
.003	0,08	.500	12,70
.004	0,10	.512	13,00
.008	0,20	.527	13,38
.012	0,30	.591	15,00
.020	0,50	.625	15,87
.028	0,70	.685	17,40
.031	0,80	.709	18,00
.062	1,58	.740	18,80
.126	3,20	.882	22,41
.157	4,00	.937	23,81
.158	4,10	.984	25,00
.251	6,38	1.195	30,35
.281	7,14	1.252	31,80
.374	9,50		
.445	11,30		



6 SPECIFICATIONS:

MATERIALS:
MATERIAL: ALUMINIUM, ANODIZED
FINISH: SEE TABLE.
SET SCREW: #6-32 UNC-2A
STAINLESS STEEL.

6 NOTES:

1. INTERPRET DRAWING PER ASME Y14.5M-1994.

MODEL NO.	A	B	C	D	ANODIZE	INDICATOR LINE	TE PN
KLN500A1/8	.500	.374	.445	.126	CLEAR	BLACK	9-1437621-7
KLN500A1/4	.500	.374	.445	.251	CLEAR	BLACK	9-1437621-6
KLN500B1/8	.500	.374	.445	.126	BLACK	WHITE	9-1437621-9
KLN500B1/4	.500	.374	.445	.251	BLACK	WHITE	9-1437621-8
KLN500S1/8	.500	.374	.445	.126	SMOKE	WHITE	5-1437623-1
KLN500S1/4	.500	.374	.445	.251	SMOKE	WHITE	1437622-1
KLN700A1/4	.740	.591	.685	.251	CLEAR	BLACK	1437622-2
KLN700B1/4	.740	.591	.685	.251	BLACK	WHITE	1437622-3
KLN700B1/8	.740	.591	.685	.126	BLACK	WHITE	1437622-4
KLN700S1/4	.740	.591	.685	.251	SMOKE	WHITE	1437622-5
KLN900A1/4	.937	.709	.882	.251	CLEAR	BLACK	1437622-6
KLN900B1/4	.937	.709	.882	.251	BLACK	WHITE	1437622-7
KLN900S1/4	.937	.709	.882	.251	SMOKE	WHITE	1437622-8
KLN1250A1/4	1.252	.984	1.195	.251	CLEAR	BLACK	9-1437621-4
KLN1250B1/4	1.252	.984	1.195	.251	BLACK	WHITE	9-1437621-5
KLN1250S1/4	1.252	.984	1.195	.251	SMOKE	WHITE	4-1437623-9

4

4

4 OBSOLETE

6 OUTLINE DRAWING
SPECIFICATIONS ARE SUBJECT TO CHANGES WITHOUT NOTICE

THIS IS A C.A.D. GENERATED DRAWING.
DO NOT MAKE MANUAL REVISIONS TO MASTER.

<p>THIRD ANGLE PROJECTION</p>	UNLESS OTHERWISE SPECIFIED DIMENSIONS ARE IN INCHES DO NOT SCALE PRINT	ORIGINAL DATE OF DRAWING: 9/30/91	<p>TE Connectivity</p>
	<p>TOLERANCES (EXCEPT AS NOTED)</p> <p>ANGULAR = ±3° (NON-CUMULATIVE)</p> <p>DECIMAL .XX = ±</p> <p>DECIMAL .XXX = ±.012</p> <p>DECIMAL .XXXX = ±</p>	<p>FILE NAME: 802510UT</p> <p>DIRECTORY: H0WR/KNOBS</p>	
	MATERIAL: SEE SPECIFICATIONS	CHECKED: CMM	DATE: 10/10/91
	FINISH: SEE SPECIFICATIONS	APPROVED: D.S.	DATE: 10/10/91
		CODE IDENT. NO. 91506	DWG. SIZE C
		NEXT ASSY:	SCALE: SHEET 1 OF 1

DWG. NO. C-1437622-1

REV. B

PRODUCT CODE: M11

P	LTR	REVISION RECORD	DATE	DWN	APVD
	B	REVISED PER ECO-14-000326	13JAN2014	KH	RH

X-ON Electronics

Largest Supplier of Electrical and Electronic Components

Click to view similar products for [Knobs & Dials](#) category:

Click to view products by [TE Connectivity](#) manufacturer:

Other Similar products are found below :

[790-1030](#) [790-1202](#) [790-2226](#) [8519](#) [8529](#) [8547](#) [85-559](#) [8573](#) [11K5015-EMNB](#) [11K5019-ECNB](#) [11K5020-KLAB](#) [11K5048-KMNB](#)
[11K5014-EMNB](#) [11K5015-EMNG](#) [11K5019-EMNB](#) [MS91528-2N2B](#) [1770](#) [P400S-08-D6-N](#) [K6510](#) [KNP700A1/4](#) [3045B](#) [AR22PY-122B](#)
[PKJ50B18](#) [277A](#) [348003](#) [42000B38](#) [420114B14](#) [5006](#) [56008-001](#) [KS700B14](#) [411](#) [420037B14](#) [WA-101C-P](#) [WA-102B](#) [WA-103](#) [WA-109B](#)
[WA-1450-P](#) [WA-1550](#) [WA-1600-P](#) [WA-2300](#) [WA-4100](#) [WA-4108-P](#) [0166736-006](#) [0195316-052](#) [0703006-003](#) [0744386-211](#) [52-928.20](#)
[52-928.9](#) [8517](#) [8545](#)