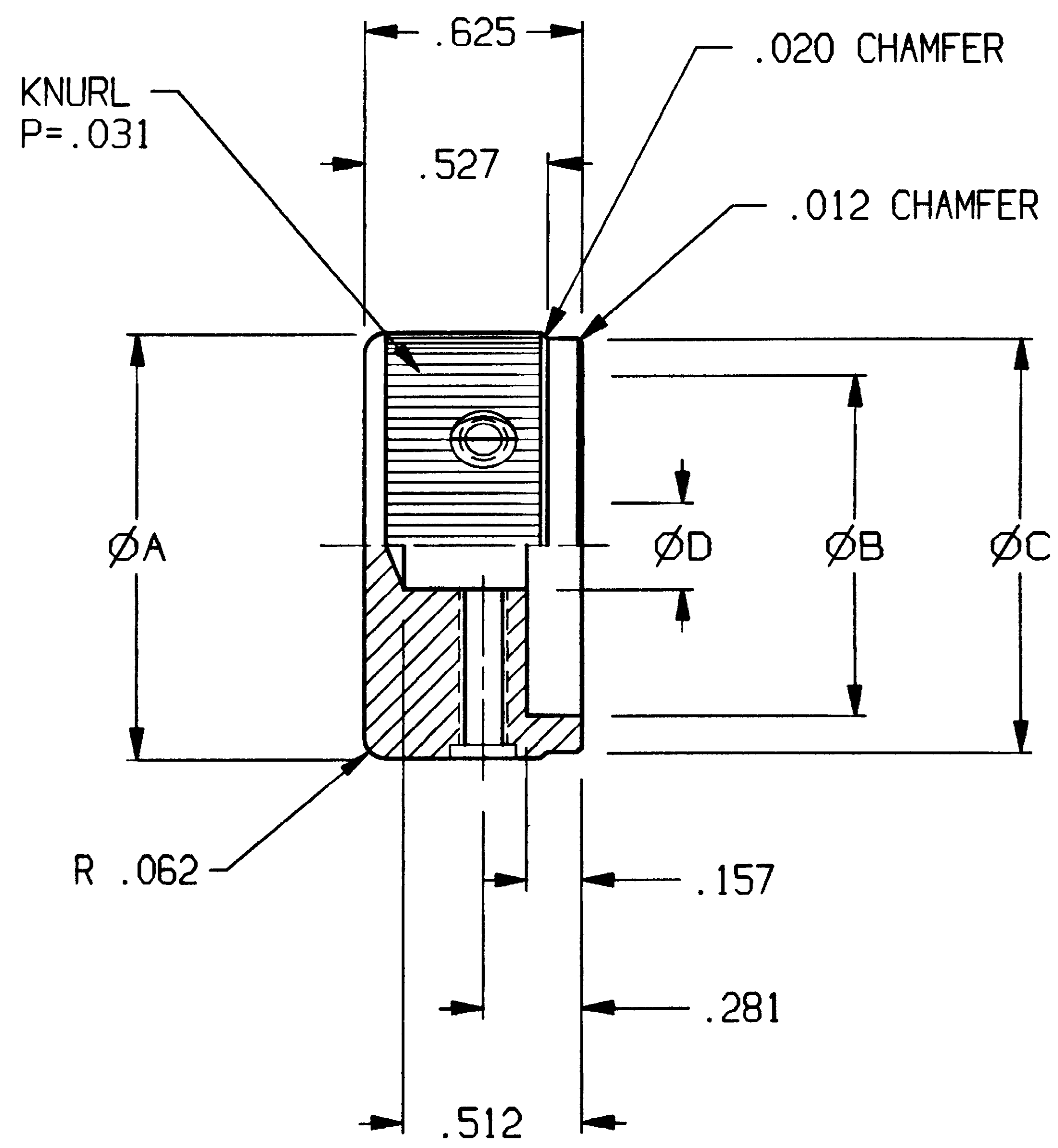
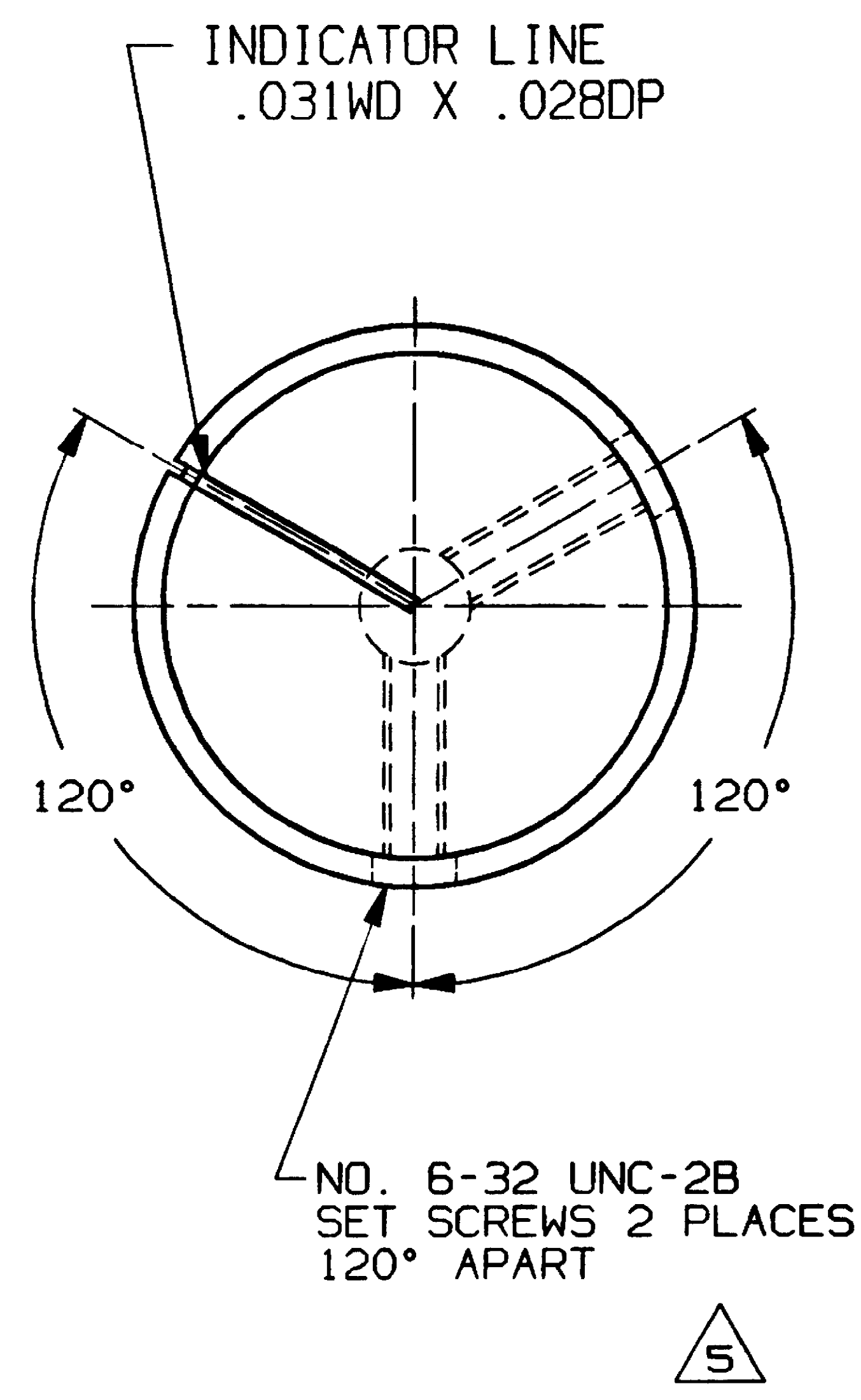


| CONVERSION CHART | | CONVERSION CHART | |
|------------------|-------|------------------|-------|
| INCH | MM | INCH | MM |
| .003 | 0,08 | .500 | 12,70 |
| .004 | 0,10 | .512 | 13,00 |
| .008 | 0,20 | .527 | 13,38 |
| .012 | 0,30 | .591 | 15,00 |
| .020 | 0,50 | .625 | 15,87 |
| .028 | 0,70 | .685 | 17,40 |
| .031 | 0,80 | .709 | 18,00 |
| .062 | 1,58 | .740 | 18,80 |
| .126 | 3,20 | .882 | 22,41 |
| .157 | 4,00 | .937 | 23,81 |
| .158 | 4,10 | .984 | 25,00 |
| .251 | 6,38 | 1.195 | 30,35 |
| .281 | 7,14 | 1.252 | 31,80 |
| .374 | 9,50 | | |
| .445 | 11,30 | | |



6 SPECIFICATIONS:
 MATERIALS:
 MATERIAL: ALUMINIUM, ANODIZED
 FINISH: SEE TABLE.
 SET SCREW: #6-32 UNC-2A
 STAINLESS STEEL.

6 NOTES:
 1. INTERPRET DRAWING PER ASME Y14.5M-1994.

| MODEL NO. | A | B | C | D | ANODIZE | INDICATOR LINE | TE PN |
|-------------|-------|------|-------|------|---------|----------------|-------------|
| KLN500A1/8 | .500 | .374 | .445 | .126 | CLEAR | BLACK | 9-1437621-7 |
| KLN500A1/4 | .500 | .374 | .445 | .251 | CLEAR | BLACK | 9-1437621-6 |
| KLN500B1/8 | .500 | .374 | .445 | .126 | BLACK | WHITE | 9-1437621-9 |
| KLN500B1/4 | .500 | .374 | .445 | .251 | BLACK | WHITE | 9-1437621-8 |
| KLN500S1/8 | .500 | .374 | .445 | .126 | SMOKE | WHITE | 5-1437623-1 |
| KLN500S1/4 | .500 | .374 | .445 | .251 | SMOKE | WHITE | 1437622-1 |
| KLN700A1/4 | .740 | .591 | .685 | .251 | CLEAR | BLACK | 1437622-2 |
| KLN700B1/4 | .740 | .591 | .685 | .251 | BLACK | WHITE | 1437622-3 |
| KLN700B1/8 | .740 | .591 | .685 | .126 | BLACK | WHITE | 1437622-4 |
| KLN700S1/4 | .740 | .591 | .685 | .251 | SMOKE | WHITE | 1437622-5 |
| KLN900A1/4 | .937 | .709 | .882 | .251 | CLEAR | BLACK | 1437622-6 |
| KLN900B1/4 | .937 | .709 | .882 | .251 | BLACK | WHITE | 1437622-7 |
| KLN900S1/4 | .937 | .709 | .882 | .251 | SMOKE | WHITE | 1437622-8 |
| KLN1250A1/4 | 1.252 | .984 | 1.195 | .251 | CLEAR | BLACK | 9-1437621-4 |
| KLN1250B1/4 | 1.252 | .984 | 1.195 | .251 | BLACK | WHITE | 9-1437621-5 |
| KLN1250S1/4 | 1.252 | .984 | 1.195 | .251 | SMOKE | WHITE | 4-1437623-9 |

4
4
4 OBSOLETE

6 OUTLINE DRAWING
 SPECIFICATIONS ARE SUBJECT TO CHANGES WITHOUT NOTICE

THIS IS A C.A.D. GENERATED DRAWING. DO NOT MAKE MANUAL REVISIONS TO MASTER.

| | | | |
|--|--|--|--|
| THIRD ANGLE PROJECTION TOLERANCES (EXCEPT AS NOTED) ANGULAR = ±3° (NON-CUMULATIVE) DECIMAL .XX = ± DECIMAL .XXX = ±.012 DECIMAL .XXXX = ± | UNLESS OTHERWISE SPECIFIED DIMENSIONS ARE IN INCHES DO NOT SCALE PRINT FILE NAME: 802510UT DIRECTORY: H0WR/KNOBS | ORIGINAL DATE OF DRAWING: 9/30/91 DRAWN: B.R. DATE: 9/30/91 | TE Connectivity TITLE: OUTLINE DRAWING KNOB (KLN SERIES) |
| | MATERIAL: SEE SPECIFICATIONS | CHECKED: CMM DATE: 10/10/91 APPROVED: D.S. DATE: 10/10/91 | |
| FINISH: SEE SPECIFICATIONS | CODE IDENT. NO. 91506 DWG. SIZE C | NEXT ASSY: | PRODUCT CODE: M11 SCALE: SHEET 1 OF 1 |

| P | LTR | REVISION RECORD | DATE | DWN | APVD |
|---|-----|---------------------------|-----------|-----|------|
| | B | REVISED PER ECO-14-000326 | 13JAN2014 | KH | RH |

X-ON Electronics

Largest Supplier of Electrical and Electronic Components

Click to view similar products for [Knobs & Dials](#) category:

Click to view products by [TE Connectivity](#) manufacturer:

Other Similar products are found below :

[790-1030](#) [790-1202](#) [790-2226](#) [8519](#) [8529](#) [8547](#) [85-559](#) [8573](#) [11K5015-EMNB](#) [11K5019-ECNB](#) [11K5020-KLAB](#) [11K5048-KMNB](#)
[11K5014-EMNB](#) [11K5015-EMNG](#) [11K5019-EMNB](#) [MS91528-2N2B](#) [1770](#) [P400S-08-D6-N](#) [K6510](#) [KNP700A1/4](#) [3045B](#) [AR22PY-122B](#)
[PKJ50B18](#) [277A](#) [348003](#) [42000B38](#) [420114B14](#) [5006](#) [56008-001](#) [KS700B14](#) [411](#) [420037B14](#) [WA-101C-P](#) [WA-102B](#) [WA-103](#) [WA-109B](#)
[WA-1450-P](#) [WA-1550](#) [WA-1600-P](#) [WA-2300](#) [WA-4100](#) [WA-4108-P](#) [0166736-006](#) [0195316-052](#) [0703006-003](#) [0744386-211](#) [52-928.20](#)
[52-928.9](#) [8517](#) [8545](#)