

THIS DRAWING IS UNPUBLISHED.

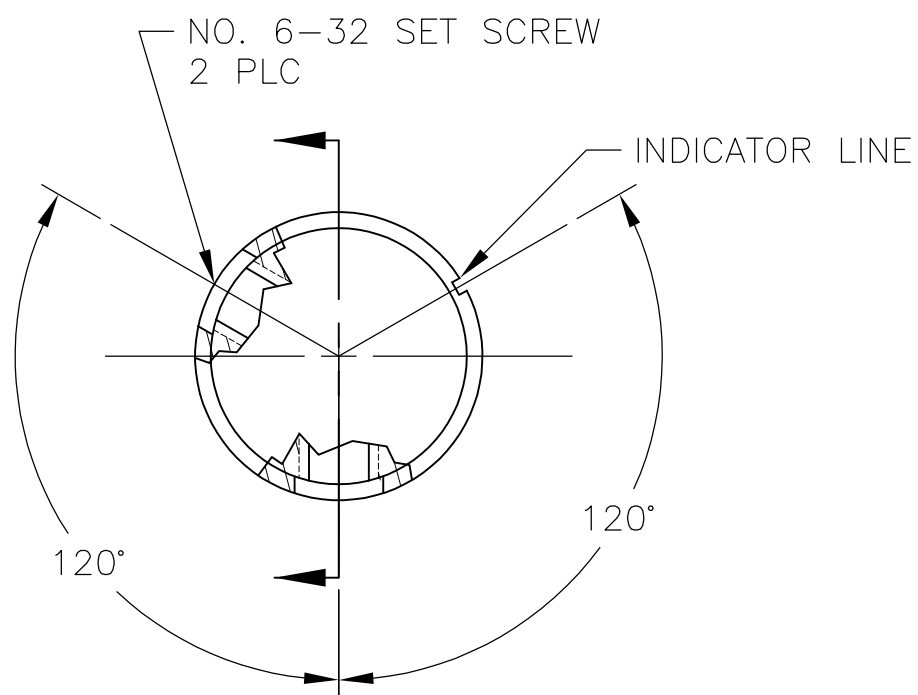
RELEASED FOR PUBLICATION

ALL RIGHTS RESERVED.

© COPYRIGHT - By -

LOC AD DIST 00

P	LTR	DESCRIPTION	DATE	DWN	APVD
A1		REVISED PER ECO-11-004917	11MAR11	RK	HMR



- 1 KNOB: ALUMINUM; SET SCREWS: STAINLESS STEEL
- 2 FINISH: ANODIZED - SEE TABLE
- 3. WAS DRAWING NUMBER 80253

.251	NONE	BLACK	BLACK	KN500B1/4NL	1571193-1
	WHITE	NATURAL	BLACK	KN500BA1/4	4-1437622-8
	BLACK	BLACK	NATURAL	KN500AB1/4	4-1437622-4
	WHITE	BLACK	BLACK	KN500B1/4	4-1437622-6
.126	BLACK	NATURAL	NATURAL	KN500A1/4	4-1437622-2
	WHITE	NATURAL	BLACK	KN500BA1/8	4-1437622-9
	BLACK	BLACK	NATURAL	KN500AB1/8	4-1437622-5
	WHITE	BLACK	BLACK	KN500B1/8	4-1437622-7
A	BLACK	NATURAL	NATURAL	KN500A1/8	4-1437622-3
	INDICATOR LINE	TOP	BODY	MODEL NUMBER	PART NUMBER
		COLOR			

THIS DRAWING IS A CONTROLLED DOCUMENT.		DWN M.BINNER 03DEC02	STE TE Connectivity		
DIMENSIONS: INCHES		CHK M.ZITTO			
TOLERANCES UNLESS OTHERWISE SPECIFIED:		APVD M.ZITTO	KNOB, STRAIGHT KNURL HAIRLINE INDICATOR (KN-500)		
0 PLC ± -		PRODUCT SPEC	SIZE CAGE CODE DRAWING NO RESTRICTED TO		
1 PLC ± -		APPLICATION SPEC	A3 00779 C-4-1437622-6		
2 PLC ± -		WEIGHT	SCALE 3:1 SHEET 1 OF 1 REV A1		
3 PLC ± .020					
4 PLC ± -					
ANGLES ± -					
FINISH					
MATERIAL					
CUSTOMER DRAWING					

X-ON Electronics

Largest Supplier of Electrical and Electronic Components

Click to view similar products for [Knobs & Dials](#) category:

Click to view products by [TE Connectivity](#) manufacturer:

Other Similar products are found below :

[790-1030](#) [790-1202](#) [790-2226](#) [8519](#) [8529](#) [8547](#) [85-559](#) [8573](#) [11K5015-EMNB](#) [11K5019-ECNB](#) [11K5020-KLAB](#) [11K5048-KMNB](#)
[11K5014-EMNB](#) [11K5015-EMNG](#) [11K5019-EMNB](#) [MS91528-2N2B](#) [1770](#) [P400S-08-D6-N](#) [K6510](#) [KNP700A1/4](#) [3045B](#) [AR22PY-122B](#)
[PKJ50B18](#) [277A](#) [348003](#) [42000B38](#) [420114B14](#) [5006](#) [56008-001](#) [KS700B14](#) [411](#) [420037B14](#) [WA-101C-P](#) [WA-102B](#) [WA-103](#) [WA-109B](#)
[WA-1450-P](#) [WA-1550](#) [WA-1600-P](#) [WA-2300](#) [WA-4100](#) [WA-4108-P](#) [0166736-006](#) [0195316-052](#) [0703006-003](#) [0744386-211](#) [52-928.20](#)
[52-928.9](#) [8517](#) [8545](#)