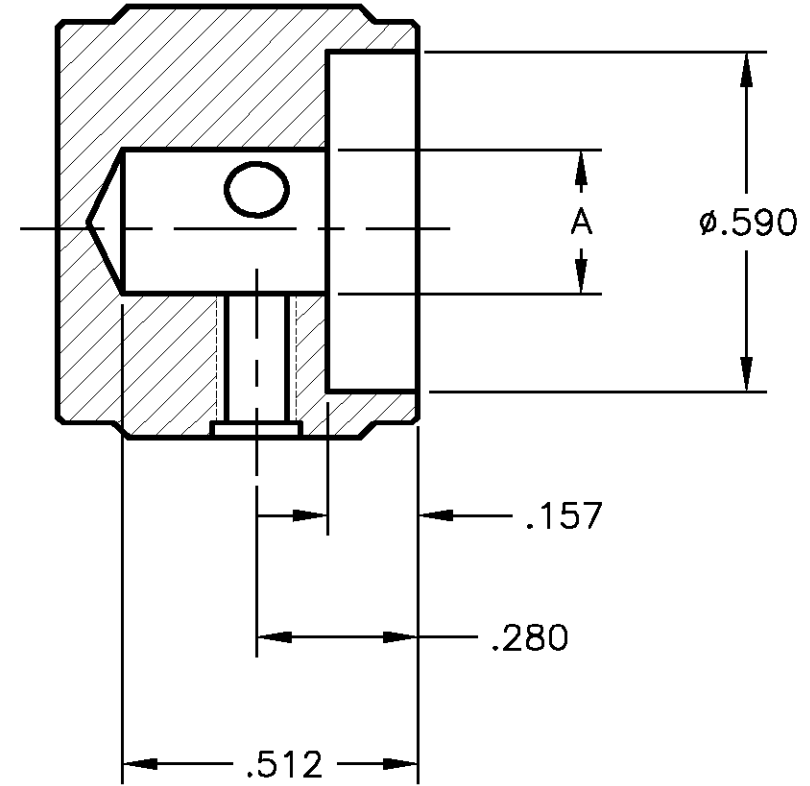
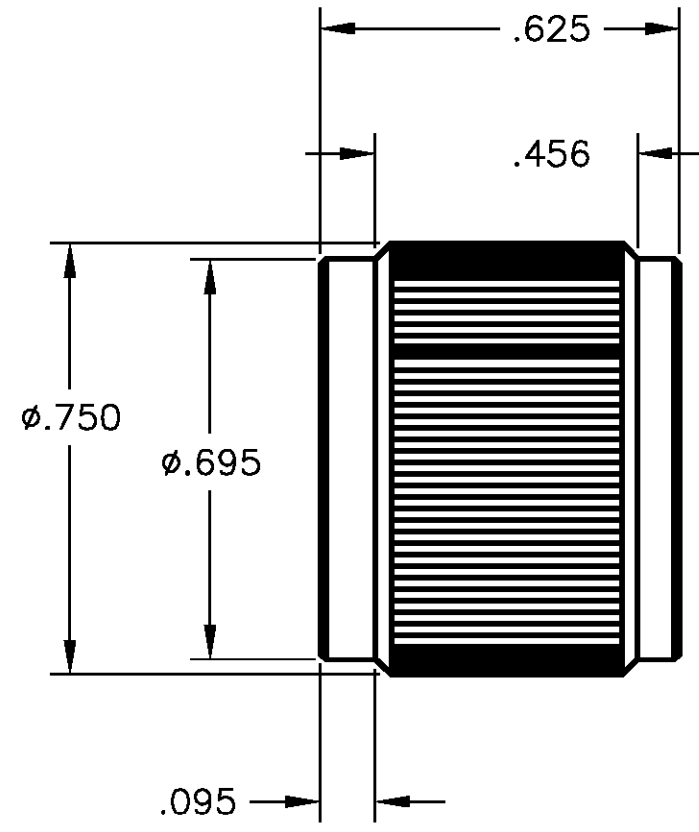
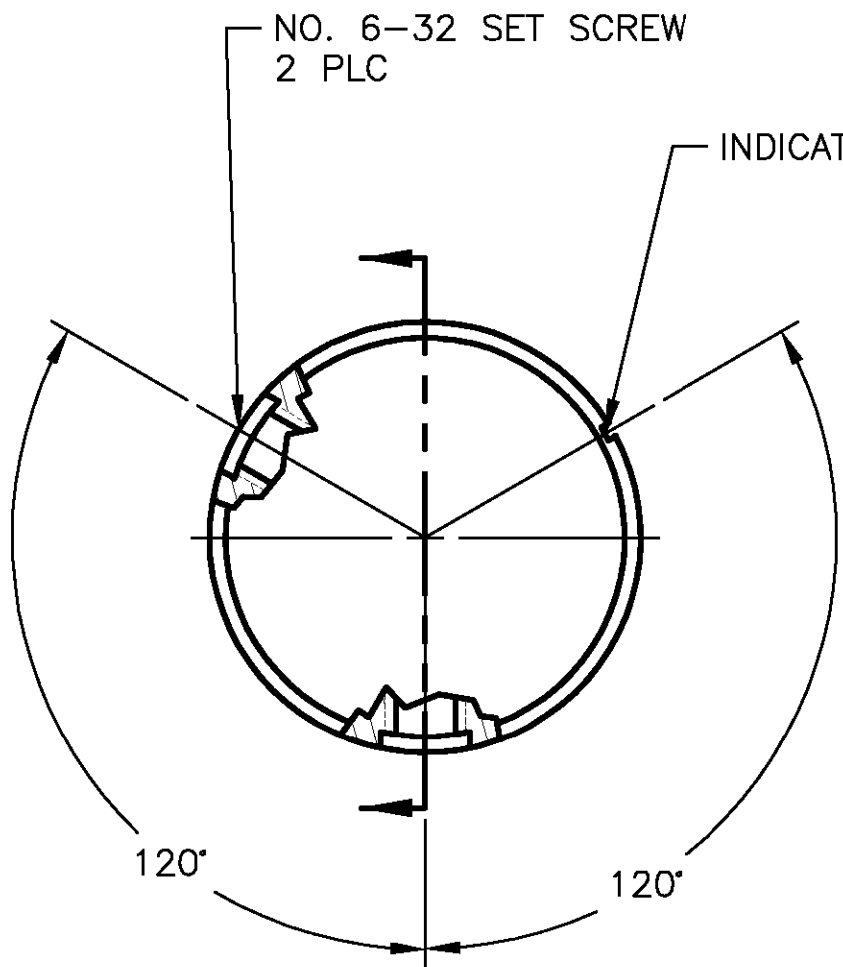


THIS DRAWING IS UNPUBLISHED. RELEASED FOR PUBLICATION
 © COPYRIGHT BY TYCO ELECTRONICS CORPORATION. ALL RIGHTS RESERVED.

LOC	DIST	REVISIONS			
P	LTR	DESCRIPTION	DATE	DWN	APVD
AD	00	D	REV PER EC 0G3C-356-02	17SEP02	MB MZ



- 1 KNOB: ALUMINUM; SET SCREWS: STAINLESS STEEL
- 2 FINISH: ANODIZED - SEE TABLE
- 3. WAS DRAWING NUMBER 80254

PRELIMINARY PART	.250	NONE	BLACK	BLACK	KN700B1/4NL	1571330-2
PRELIMINARY PART	.236(6mm)	NONE	BLACK	BLACK	KN700B6MNL	1571330-1
	.250	WHITE	NATURAL	BLACK	KN700BA1/4	6-1437622-1
		BLACK	BLACK	NATURAL	KN700AB1/4	5-1437622-9
		WHITE	BLACK	BLACK	KN700B1/4	6-1437622-0
		BLACK	NATURAL	NATURAL	KN700A1/4	5-1437622-8
A	INDICATOR LINE	TOP	BODY	MODEL NUMBER	PART NUMBER	
			2 COLOR			

THIS DRAWING IS A CONTROLLED DOCUMENT.		DWN M.BINNER 27JUN02	Tyco Electronics Corporation Harrisburg, PA 17105	
DIMENSIONS: INCHES 		CHK M.ZITTO	NAME	
TOLERANCES UNLESS OTHERWISE SPECIFIED: 0 PLC ± - 1 PLC ± - 2 PLC ± - 3 PLC ± .020 4 PLC ± - ANGLES ± -		APVD M.ZITTO	KNOB, STRAIGHT KNURL HAIRLINE INDICATOR (KN-700)	
MATERIAL	FINISH	PRODUCT SPEC	SIZE	CAGE CODE
1	2	-	A3	00779
CUSTOMER DRAWING		APPLICATION SPEC	DRAWING NO	RESTRICTED TO
		-	C-6-1437622-0	-
		WEIGHT	SCALE	SHEET
		-	3:1	1 OF 1
			REV	D

X-ON Electronics

Largest Supplier of Electrical and Electronic Components

Click to view similar products for [Knobs & Dials](#) category:

Click to view products by [TE Connectivity](#) manufacturer:

Other Similar products are found below :

[0195316-051](#) [790-1030](#) [790-1202](#) [790-2226](#) [8519](#) [8529](#) [8547](#) [85-559](#) [8573](#) [11K5015-EMNB](#) [11K5019-ECNB](#) [11K5020-KLAB](#) [11K5048-KMNB](#) [11K5014-EMNB](#) [11K5015-EMNG](#) [11K5019-EMNB](#) [MS91528-2N2B](#) [1770](#) [P400S-08-D6-N](#) [K6510](#) [KNP700A1/4](#) [3045B](#)
[AR22PY-122B](#) [PKJ50B18](#) [277A](#) [348003](#) [42000B38](#) [420114B14](#) [5006](#) [56008-001](#) [KS700B14](#) [411](#) [420037B14](#) [WA-101C-P](#) [WA-102B](#)
[WA-103](#) [WA-109B](#) [WA-1450-P](#) [WA-1550](#) [WA-1600-P](#) [WA-2300](#) [WA-4100](#) [WA-4108-P](#) [0166736-006](#) [0195316-052](#) [0703006-003](#)
[0744386-211](#) [52-928.20](#) [52-928.9](#) [8517](#)