

# KS500B1/4 ✓ ACTIVE

## Alcoswitch

TE Internal #: 1437623-4

Switch Knobs, Knob, Aluminum, 3 Flute Knob Design, .25in [6.35 mm] Shaft Size, .5in [12.7mm] Switch Knob Diameter, Black, Line

[View on TE.com >](#)



Relays, Contactors & Switches > Switches > Switch Knobs



Switch Knob Product Type: **Knob**

Switch Knob Material: **Aluminum**

Knob Design: **3 Flute**

Shaft Size: **6.35 mm [ .25 in ]**

Switch Knob Diameter: **12.7 mm [ .5 in ]**

## Features

### Product Type Features

Switch Knob Product Type	Knob
--------------------------	------

### Configuration Features

Skirt	With
Spinner	Without
Spin Plate	Without
Knob Design	3 Flute

### Body Features

Switch Knob Material	Aluminum
Switch Knob Color	Black

### Dimensions

Shaft Size	6.35 mm[.25 in]
Switch Knob Diameter	12.7 mm[.5 in]

### Identification Marking

Indicator Style	Line
Indicator Location	Side & Skirt

## Product Compliance

[For compliance documentation, visit the product page on TE.com>](#)



EU RoHS Directive 2011/65/EU	Compliant
EU ELV Directive 2000/53/EC	Compliant
China RoHS 2 Directive MIIT Order No 32, 2016	No Restricted Materials Above Threshold
EU REACH Regulation (EC) No. 1907/2006	Current ECHA Candidate List: JUL 2021 (219) Candidate List Declared Against: JAN 2020 (205) SVHC > Threshold: Not Yet Reviewed
Halogen Content	Low Halogen - Br, Cl, F, I < 900 ppm per homogenous material. Also BFR/CFR/PVC Free
Solder Process Capability	Not applicable for solder process capability

Product Compliance Disclaimer

This information is provided based on reasonable inquiry of our suppliers and represents our current actual knowledge based on the information they provided. This information is subject to change. The part numbers that TE has identified as EU RoHS compliant have a maximum concentration of 0.1% by weight in homogenous materials for lead, hexavalent chromium, mercury, PBB, PBDE, DBP, BBP, DEHP, DIBP, and 0.01% for cadmium, or qualify for an exemption to these limits as defined in the Annexes of Directive 2011/65/EU (RoHS2). Finished electrical and electronic equipment products will be CE marked as required by Directive 2011/65/EU. Components may not be CE marked. Additionally, the part numbers that TE has identified as EU ELV compliant have a maximum concentration of 0.1% by weight in homogenous materials for lead, hexavalent chromium, and mercury, and 0.01% for cadmium, or qualify for an exemption to these limits as defined in the Annexes of Directive 2000/53/EC (ELV). Regarding the REACH Regulation, the information TE provides on SVHC in articles for this part number is based on the latest European Chemicals Agency (ECHA) 'Guidance on requirements for substances in articles' posted at this URL: <https://echa.europa.eu/guidance-documents/guidance-on-reach>

## Compatible Parts



## Customers Also Bought



TE Part #6658751-1  
8MM CHAMP, 50 POS, RCPT ASSY



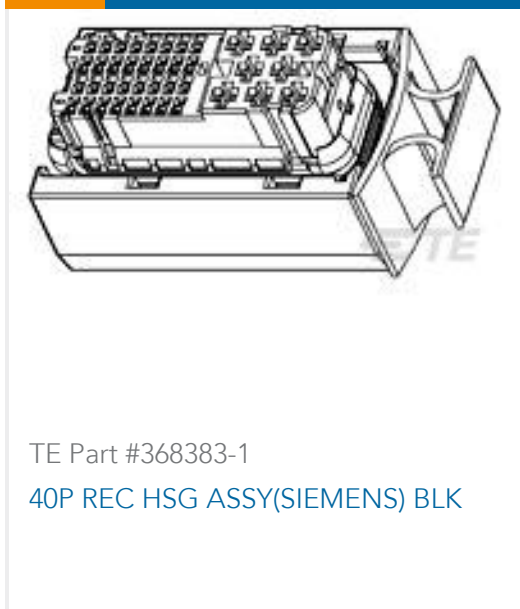
TE Part #7-1618387-2  
LEV200A5ANF=RELAY, SPST-NO



TE Part #1438136-1  
70 WAY HARNESS ASSY KEYA(PROD)



TE Part #1823500-1  
COVER,90



TE Part #368383-1  
40P REC HSG ASSY(SIEMENS) BLK



TE Part #1-640387-2  
12P MTA156 HDR ASSY SQ R/A



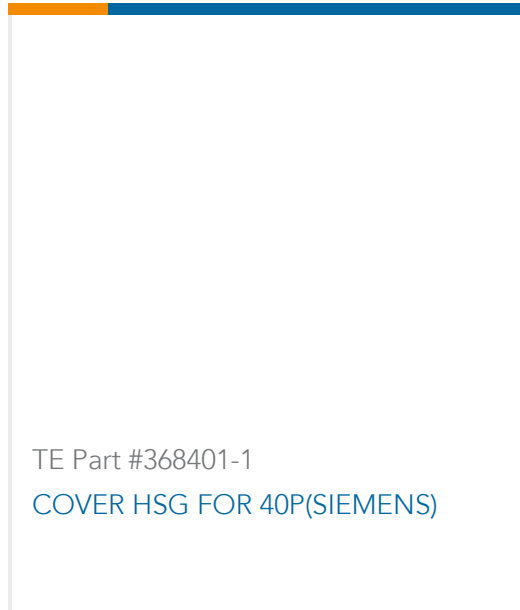
TE Part #185879-2  
26W MQS COVER ASSY BLUE



TE Part #953122-3  
40W MQS COVER ASSY (15D)



TE Part #1-640387-6  
16P MTA156 HDR ASSY SQ R/A



TE Part #368401-1  
COVER HSG FOR 40P(SIEMENS)

## Documents

### CAD Files

3D PDF

3D

Customer View Model

[ENG\\_CVM\\_CVM\\_1437623-4\\_99\\_c-1437623-4-99.2d\\_dxf.zip](#)

English

Customer View Model

[ENG\\_CVM\\_CVM\\_1437623-4\\_99\\_c-1437623-4-99.3d\\_igs.zip](#)

English

Customer View Model

[ENG\\_CVM\\_CVM\\_1437623-4\\_99\\_c-1437623-4-99.3d\\_stp.zip](#)

English

By downloading the CAD file I accept and agree to the [Terms and Conditions](#) of use.

### Product Environmental Compliance

Product Compliance

English

Product Compliance

English

KS500B1/4

Switch Knobs, Knob, Aluminum, 3 Flute Knob Design, .25in [6.35mm] Shaft Size, .5in [12.7mm] Switch Knob Diameter, Black, Line



## **X-ON Electronics**

Largest Supplier of Electrical and Electronic Components

*Click to view similar products for [Knobs & Dials](#) category:*

*Click to view products by [TE Connectivity](#) manufacturer:*

Other Similar products are found below :

[0195316-051](#) [790-1030](#) [790-1202](#) [790-2226](#) [8519](#) [8529](#) [8547](#) [85-559](#) [8573](#) [11K5015-EMNB](#) [11K5019-ECNB](#) [11K5020-KLAB](#) [11K5048-KMNB](#) [11K5014-EMNB](#) [11K5015-EMNG](#) [11K5019-EMNB](#) [MS91528-2N2B](#) [1770](#) [P400S-08-D6-N](#) [K6510](#) [KNP700A1/4](#) [3045B](#)  
[AR22PY-122B](#) [PKJ50B18](#) [277A](#) [348003](#) [42000B38](#) [420114B14](#) [5006](#) [56008-001](#) [KS700B14](#) [411](#) [420037B14](#) [WA-101C-P](#) [WA-102B](#)  
[WA-103](#) [WA-109B](#) [WA-1450-P](#) [WA-1550](#) [WA-1600-P](#) [WA-2300](#) [WA-4100](#) [WA-4108-P](#) [0166736-006](#) [0195316-052](#) [0703006-003](#)  
[0744386-211](#) [52-928.20](#) [52-928.9](#) [8517](#)