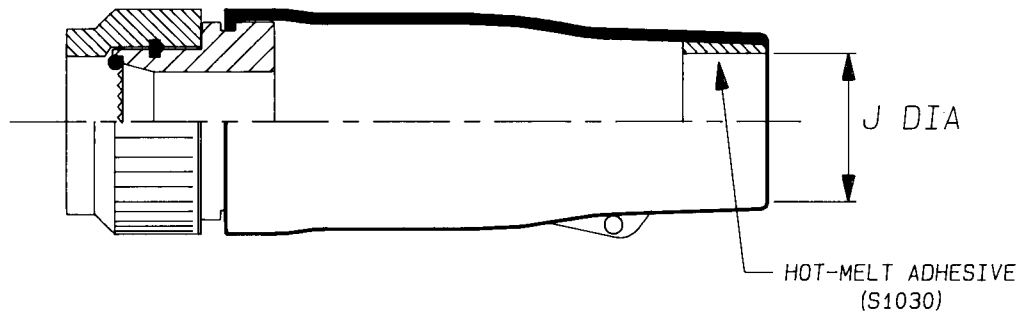
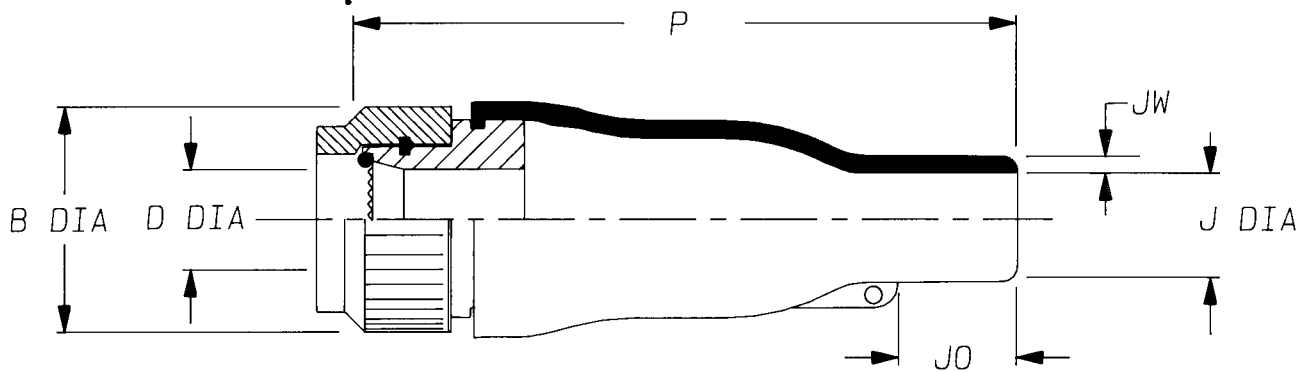


a) Part as supplied.

KTKK 2590-2598



b) Part after unrestricted recovery.



Raychem connector code: - 40

Connector series: - MIL-C-38999 SERIES 3 & 4

Adaptor Series: - 208M7xx-19-Bxx-K-NS

Moulded Part Material: - -25

Kits to include cleaning tissue, 1 piece 100 grit emery cloth.

Kit to be used in conjunction with installation guide for straight assemblies.

Dimensions (in millimetres.)

Part No.	SHELL SIZE	B	D	J		P	JO	JW
		DIA MAX	DIA MIN	MIN a	MAX b	±10% b	REF b	±30% b
KTKK 2590	A	19.2	6.2	11	5.6	50	9	0.5
KTKK 2591	B	21.7	9.3	15	5.9	67	12	1.0
KTKK 2592	C	25.5	12.9	19	7.1	79	17	1.0
KTKK 2593	D	29.3	14.1	19	7.1	79	17	1.0
KTKK 2594	E	31.9	18.8	24	8.4	92	20	1.0
KTKK 2595	F	35.7	18.8	24	8.4	92	20	1.0
KTKK 2596	G	38.2	23.6	31	9.9	111	21	1.0
KTKK 2597	H	42.0	23.6	31	9.9	111	21	1.0
KTKK 2598	J	44.6	30.9	37	15.7	142	39	1.5

Copyright (!)

Urheberrechte

The copyright in this drawing is the property of Raychem Ltd. The drawing is issued on condition that it is not copied, reproduced or disclosed to a third party, either in whole or in part without the prior written consent of Raychem Ltd.

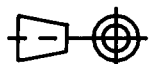
Drawn A.LILLEY. Checked *[Signature]* Issue 2 Date June 1995

Conforms to ISO Recommendations
3rd Angle Projection
Not to Scale

Approval
Design

MKTG.

Q.C.



X-ON Electronics

Largest Supplier of Electrical and Electronic Components

Click to view similar products for [Cable Boots](#) category:

Click to view products by [TE Connectivity](#) manufacturer:

Other Similar products are found below :

[618235-000](#) [622A014-3-0](#) [CX4132-000](#) [879103-4](#) [879515-000](#) [889092](#) [982033-2](#) [R280576000](#) [1300830729](#) [MTPSRBCL-C](#) [1811481-1](#)
[200W531-3-0](#) [202A121-386-0](#) [202A142-4-00/42-0](#) [202A163-4-0-CS5067](#) [202B221-13-0](#) [202B231-13-0](#) [202B563-25-07-0](#)
[202C621710CS5361](#) [202D132-4-07/42-0](#) [202D221-4-0-CS5349](#) [202D221-4-26-0](#) [202D263-25-08-0](#) [202D263-4-22/42-0](#) [202D263-4-88-0](#)
[202D921-2542-0](#) [202E336-71-0](#) [202F211-50-22-0-CS8474](#) [202F242-50-05-0](#) [202F242-51-04/164-0](#) [202K121-25-CS-1858-0](#) [202K121-25-](#)
[CS-2062-0](#) [202K132-25-01/225-0CS8387](#) [202K153-3-0186-0](#) [202S132-25-UP-0](#) [203W301-3/42-0](#) [207W613-100/184-0-CS5657](#) [207W623-](#)
[100-01/184-0](#) [207W634-100/184-0-CS5657](#) [207W656-100-01/184-0](#) [207W667-100-01/184-0](#) [207W667-100/184-0](#) [208A011-3-0](#) [208A021-3-](#)
[0](#) [221A011-51164-0-CS7133](#) [222A121-2586](#) [222A152-342-0](#) [222A213-25-0-CS5613](#) [222D221-25-13/86-0](#) [222D232-4-61-0-CS5078](#)