

KUP93 series

General Purpose 3 to 10 Amp, Multicontact AC or DC Relay

File E22575

File LR15734

Users should thoroughly review the technical data before selecting a product part number. It is recommended that users also seek out the pertinent approvals files of the agencies/laboratories and review them to ensure the product meets the requirements for a given application.

Features

- AC coils 24, 120 & 240V 50/60 Hz.; DC 12 & 24VDC.
- Contact arrangement to 3PDT.
- Sockets available for all models.
- Accepted pin pattern for HVAC industry.
- Primarily designed for the HVAC industry.

Contact Data @ 25°C

Material: Fine silver or silver-cadmium oxide.

Contact rating

| Material | UL/CSA Ratings | Life Expected |
|----------------------|---|---------------|
| Fine silver | 5A @ 28VDC or 240VAC, 80% PF, 1/10 HP @ 120VAC, 1/4 HP @ 240VAC | 100,000 |
| Silver cadmium oxide | 10A @ 28VDC or 240VAC, 80% PF, 1/4 HP @ 120VAC, 1/3 HP @ 240 VAC, 10 FLA, 30 LRA @ 120 VAC, 5 FLA, 15 LRA @ 240 VAC | 100,000 |
| | | 30,000 |

Initial Dielectric Strength

Between Open Contacts: 500V rms.
Between Adjacent Contacts: 1,500V rms.
Between Contacts and Coil: 1,500V rms.

Coil Data @ 25°C

Nominal Power:
DC Coils: 1.2 Watts.
AC Coils: 2.7VA.
Initial Insulation Resistance: 100 megohms, min., at 25°C.r

Coil Data

| | Nominal Voltage | DC Resistance in Ohms ± 10%* | Must Operate Voltage | Nominal Coil Current (mA) |
|----------|-----------------|------------------------------|----------------------|---------------------------|
| DC Coils | 12 | 120 | 9.0 | 100 |
| | 24 | 472 | 18.0 | 51 |
| AC Coils | 24 | 72 | 20.4 | 115 |
| | 120 | 1,700 | 102.0 | 24 |
| | 240 | 7,200 | 204.0 | 12 |

*AC coils, ± 15%

Operate Data @ 25°C

Must Operate Voltage:

DC Coils: 75% of nominal voltage or less.

AC Coils: 85% of nominal voltage or less.

Operate Time (Excluding Bounce): 15 milliseconds, typical, at nominal voltage.

Release Time (Excluding Bounce):

DC Coils: 10 milliseconds, typical, at nominal voltage.

AC Coils: 10 milliseconds, typical, at nominal voltage.

Environmental Data

Temperature Range:

Storage:

All Coils: -45°C to +105°C.

Operating:

DC Coils: -45°C to +70°C.

AC Coils: -45°C to +45°C.

Mechanical Data

Termination: .187" x .020" quick connect.

Enclosures: Clear polycarbonate dust cover.

Weight: 3.0 oz. (86g) approximately.N

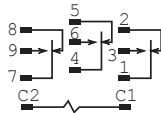
Ordering Information

| | | | | | | |
|---|--------------|-----------|----------|----------|----------|------------|
| Typical Part No. > | KUP93 | 14 | A | 2 | 1 | -24 |
| <p>1. Type: KUP93 = Enclosed general purpose relay.</p> | | | | | | |
| <p>2. Contact Arrangement: 14 = 3 Form C (3PDT)</p> | | | | | | |
| <p>3. Coil Input: A = AC D = DC</p> | | | | | | |
| <p>4. Mounting: 1 = PLAIN CASE;</p> | | | | | | |
| <p>5. Terminals, Contact Material & Rating: 1 = .187" (4.75mm) quick connect, silver, 5 amps. 3 = .187" (4.75mm) quick connect, silver-cadmium oxide, 10 amps.</p> | | | | | | |
| <p>6. Coil Voltage: To 240VAC, 50/60 Hz. or 110VDC.</p> | | | | | | |

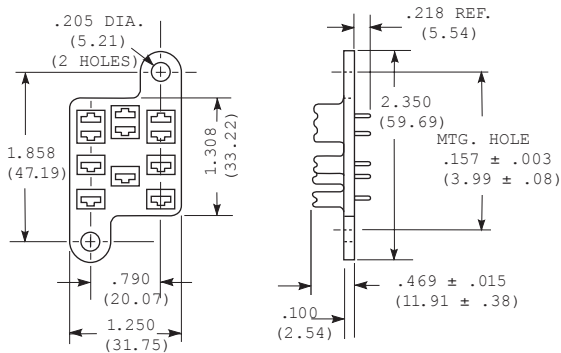
Our authorized distributors are more likely to stock the following items for immediate delivery.
No items in this series typically are stocked.

Outline Dimensions

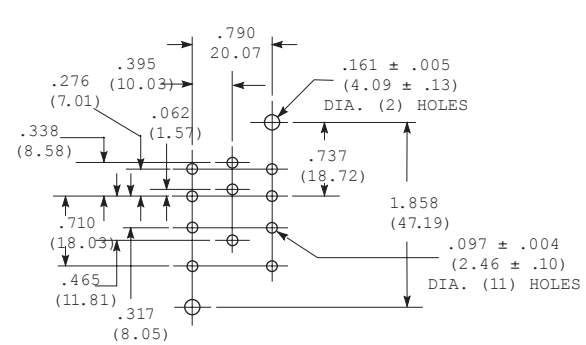
Wiring Diagrams
3 Form C



KUP93 Sockets



Socket PC Board Layout (Component Side of Board)



KUP93 Socket Number

| Socket Color | P C Socket With Terminals |
|---------------|---------------------------|
| Natural Nylon | 27E168** |

**UL Recognized, file E22575

Socket: Rated 10 amperes. Will accept .187" (4.75mm) quick-connect terminals of all KUP93 relays. »

X-ON Electronics

Largest Supplier of Electrical and Electronic Components

Click to view similar products for [General Purpose Relays](#) category:

Click to view products by [TE Connectivity](#) manufacturer:

Other Similar products are found below :

[PCN-105D3MH,000](#) [59641F200](#) [LY1SAC110120](#) [5X827E](#) [5X837F](#) [5X840F](#) [5X842F](#) [5X848E](#) [LY2N-AC120](#) [LY2S-AC220/240](#) [LY2-US-AC120](#) [LY3-US-AC120](#) [LY4F-UA-DC12](#) [LY4F-UA-DC24](#) [LY4F-US-AC120](#) [LY4F-US-AC240](#) [LY4F-US-DC24](#) [LY4F-VD-AC110](#) [LYQ20DC12](#) [M115C60](#) [M115N010](#) [M115N0150](#) [6031007G](#) [603-12D](#) [61211T0B4](#) [61212T400](#) [61222Q400](#) [61243B600](#) [61243C500](#) [61243Q400](#) [61311BOA2](#) [61311BOA6](#) [61311BOA8](#) [61311C0A2](#) [61311COA1](#) [61311COA6](#) [61311F0A2](#) [61311QOA1](#) [61311QOA4](#) [61311T0D6](#) [61311TOA6](#) [61311TOA7](#) [61311TOB3](#) [61311TOB4](#) [61311U0A6](#) [61312Q600](#) [61312T400](#) [61312T600](#) [61313U200](#) [61313U400](#)