

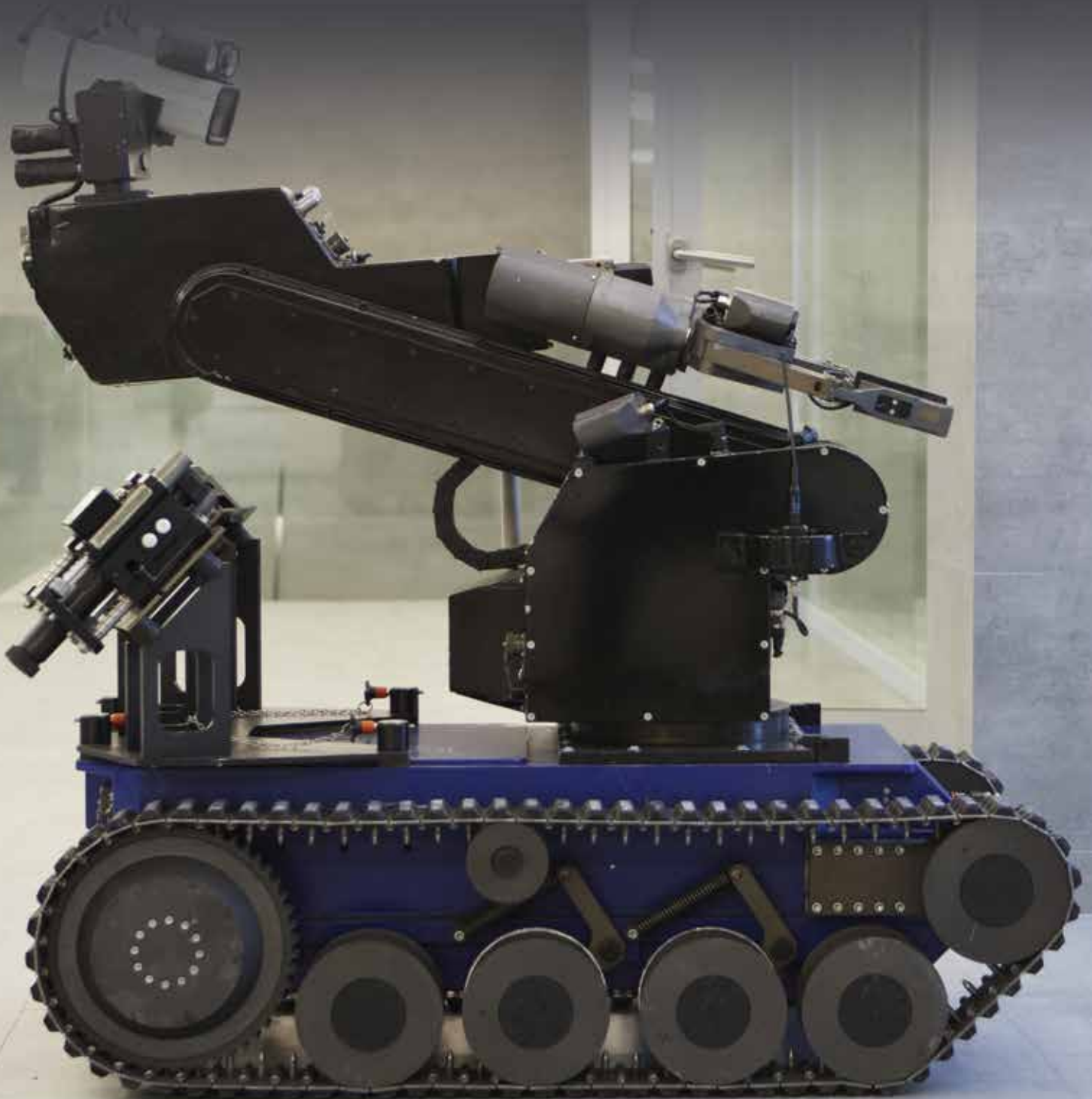


# KILOVAC LEV100H

Rugged 1000 VDC, 150 A Hermetically Sealed,  
Extended Performance DC Contactor

# KILOVAC LEV100H Contactors

The new KILOVAC LEV100H extended performance contactors with auxiliary contacts from TE Connectivity (TE) are designed for harsh environment and load applications. This version of our popular EV and LEV series contactors offers extremely high performance for its small size and low weight. Hermetically sealed, KILOVAC LEV100H contactors are capable of operating in harsh, explosive environments without oxidation or contamination of contacts, even after long periods of non-operation.





### HERMETICALLY SEALED

- Safe for application in harsh, explosive, and corrosive environments
- No contact oxidation over periods of non-use

### VERSATILE

- Not position sensitive; available in side and bottom mount configurations
- 8 kV isolation between open contacts permits use for high voltage isolation and carry
- 12, 24, and 48 VDC coils available

### EFFICIENT

- Small 1000 VDC, 150 A contactor saves weight and space

### APPLICATIONS

- Energy Storage/Battery Storage
- Power Distribution
- Alternative Energy
- Hybrid Electric Vehicles (Military and Commercial)
- Test Equipment

### MECHANICAL/ENVIRONMENTAL

- **Contact Arrangement:**  
Main Contacts: SPST-NO (Form X)  
Auxiliary Contact: SPST-NO (Form A) (Note 1)
- **Dimensions:** See drawings
- **Weight:** 6.70 oz. (190 g)
- **Hermetically Sealed**
- **Safe for Harsh/Corrosive Environments**
- **Contact Oxidation:** None over periods of non-use
- **Shock:** 11 ms <sup>1</sup>/<sub>2</sub> sine (operating, 20 g Peak)
- **Sine Vibration:** 20 g peak: 55-2000 Hz
- **Operating Temperature Range:** -40°C to +80°C
- **Noise Emission (at 100 mm distance):** 70 dBa

### ELECTRICAL DATA

- **Mechanical Life:** 1,000,000 cycles
- **Voltage Rating:**  
Main Contacts Switching (max.): 1000 VDC  
Continuous (Note 2) 100 A  
Short Term (3 minutes) (Note 3): 200 A
- **Contact Voltage Drop:** Main Contacts: 0.05 max. @ rated current
- **Resistive Load Performance (polarity sensitive):**  
50 A make/break @ +1000 VDC: 50 cycles  
100 A make/break @ +400 VDC: 1000 cycles  
200 A make/break @ +400 VDC: 500 cycles  
1000 A break only @ +400 VDC: 2 cycles  
600 A make only: 10 cycles  
50 A @ 400 VDC make only: 25,000 cycles
- **Maximum Short Circuit Current (1/2 cycle, 60 Hz) (through closed contacts):** 1250 A
- **Dielectric Withstanding Voltage:**  
Between Open Contacts (Note 4): 5600 V<sub>rms</sub>  
Contacts to Coil: 2200 V<sub>rms</sub>
- **Insulation Resistance @ 500 VDC, Terminal to Terminal/ Terminals to Coil:**  
New: 100 MΩ min.  
End of Life: 50 MΩ min.

### PART NO.

1618408-2

**Note 1:** Auxiliary contact ratings: 3 A, 125 VAC to 10,000 cycles Min.; 3A, 24 VDC to 10,000 cycles Min.; 100 mA, 10 VDC to 1M cycles. Auxiliary contact is mechanically linked to the main power contacts. Minimum Aux Contact Load 10 mA/12 VDC

**Note 2:** 100 A with 4 AWG at 85°C and 150 A with 2 AWG at 40°C ambient. Current rating depends upon conductor size. Keep terminals below 175°C max. continuous.

**Note 3:** 3 minutes at +40°C ambient, 1 minute at +80°C ambient with (8 AWG) conductor.

**Note 4:** 2200 V<sub>rms</sub> minimum under all conditions, until end of life.



## Operate and Release Time

Coil Voltage, Nominal/Max.	12/16 VDC	24/28 VDC	48/52 VDC
Coil Resistance (20°C)	26 Ω	96 Ω	392 Ω
Pick Up Voltage (20°C)	8 VDC	16 VDC	33 VDC
Dropout Voltage (20°C)	≤1.2 VDC	≤2.4 VDC	≤4.8 VDC
Coil Current (Nom. at 20°C, 12 VDC)	0.46 A	0.25 A	0.12 A
Coil Power (Nom. at Vnom, 20°C)	5.5	6.0	6.0
<b>Main Contacts:</b>	Operate Time (Max.)	25 ms	
	Operate Bounce (Max.)	6 ms	
	Release Time	10 ms	

## Part Numbering System

Typical Part Number

**LEV100 H 5 C N G**

**SERIES**

**LEV100** 1000 VDC, 150 A Contactor

**CONTACT FORM**

**H** NO with 1PST NO Aux

**COIL VOLTAGE**

- 4** 12 VDC
- 5** 24 VDC
- 6** 48 VDC

**COIL WIRE LENGTH**

**C** 10" [.25 m]

**COIL TERMINATION**

**N** None - Stripped Wires

**MOUNTING**

- G** Bottom Mount, 2 x #8, M5 x 10 Mains
- H** Side Mount, 2 x #8, M5 x 10 Mains

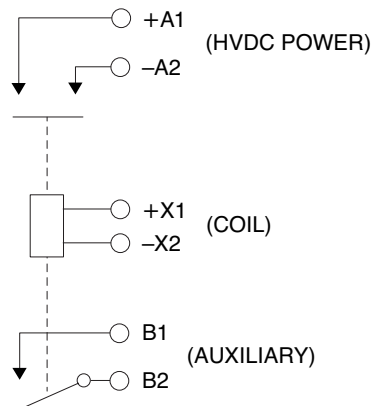
## TE Components . . . TE Technology . . . TE Know-how . . .

AMP | AGASTAT | CII | HARTMAN | KILOVAC | MICRODOT | NANONICS | POLAMCO | Raychem | Rochester | DEUTSCH  
SEACON Phoenix | LL ROWE | Phoenix Optix | AFP | SEACON

Empower Engineers to Solve Problems, Moving the World Forward.

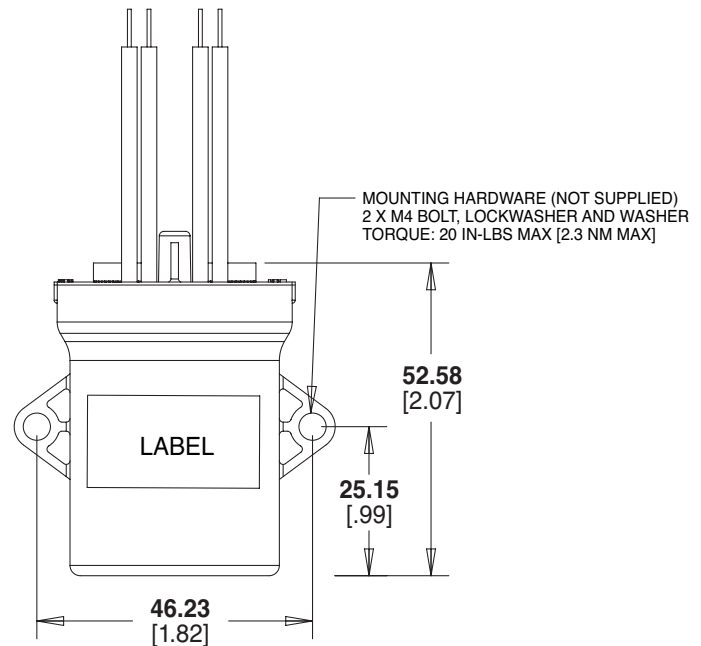
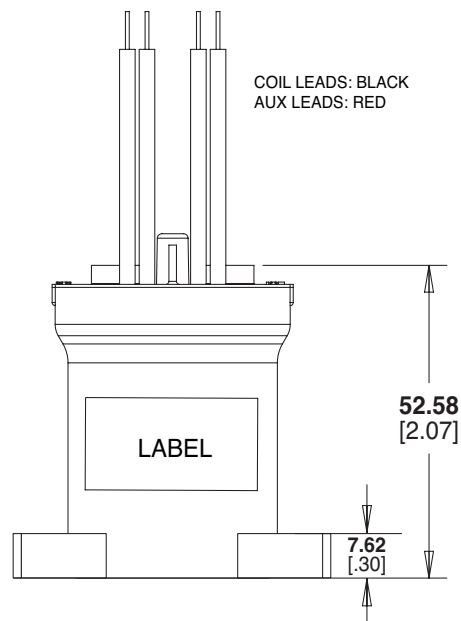
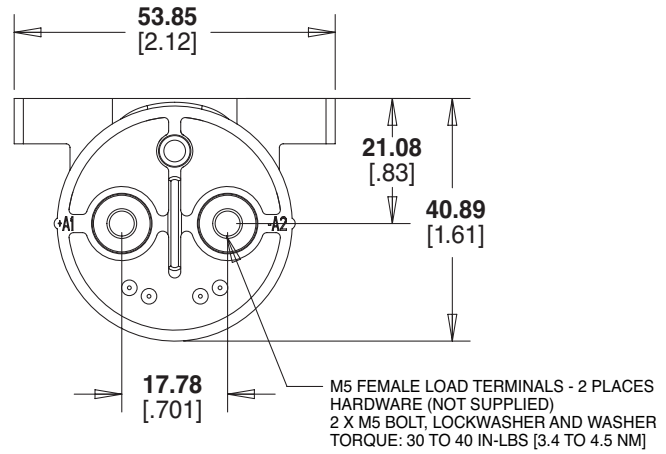
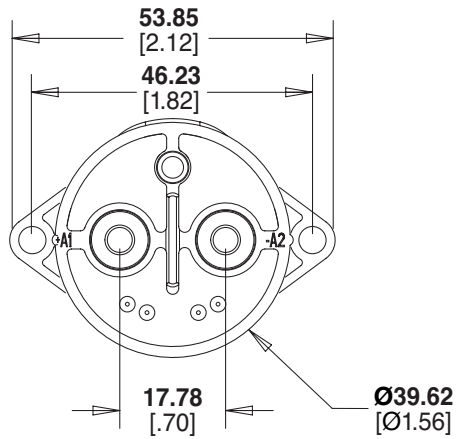


Schematic



**Note:** Contactors should be installed so that current flows from A1 (+) to A2 (-)

PART DRAWING



Millimeters Inches

## LET'S CONNECT

We make it easy to connect with our experts and are ready to provide all the support you need. Just call your local support number or visit [www.te.com/industrial](http://www.te.com/industrial) to chat with a Product Information Specialist.

## Technical Support

[te.com/support-center](http://te.com/support-center)

North America	+1 800 522 6752	Asia Pacific	+86 400 820 6015
North America (Toll)	+1 717 986 7777	Japan	+81 044 844 8180
EMEA/South Africa	+800 0440 5100	Australia	+61 2 9554 2695
EMEA (Toll)	+31 73 624 6999	New Zealand	+64 (0) 9 634 4580
India (Toll-Free)	+800 440 5100		

[te.com/lev100h](http://te.com/lev100h)

AMP, AGASTAT, CII, DEUTSCH, HARTMAN, KILOVAC, LL ROWE, MICRODOT, NANONICS, POLAMCO, Raychem, SEACON, TE, TE Connectivity and the TE connectivity (logo) are trademarks of the TE Connectivity Corporation. Other products, logos, and company names mentioned herein may be trademarks of their respective owners.

While TE Connectivity (TE) has made every reasonable effort to ensure the accuracy of the information herein, nothing herein constitutes any guarantee that such information is error-free, or any other representation, warranty or guarantee that the information is accurate, correct, reliable or current. The TE entity issuing this publication reserves the right to make any adjustments to the information contained herein at any time without notice. All implied warranties regarding the information contained herein, including, but not limited to, any implied warranties of merchantability or fitness for a particular purpose are expressly disclaimed. The dimensions herein are for reference purposes only and are subject to change without notice. Specifications are subject to change without notice.

Consult TE for the latest dimensions and design specifications.

© 2017 TE Connectivity Corporation All Rights Reserved.

1-1773918-1 04/17

## X-ON Electronics

Largest Supplier of Electrical and Electronic Components

*Click to view similar products for [Contactors - Electromechanical category](#):*

*Click to view products by [TE Connectivity manufacturer](#):*

Other Similar products are found below :

[6-1618400-7](#) [686-117111](#) [686-120111](#) [686-924](#) [686-948](#) [70-901](#) [70-914](#) [MB-3D-6](#) [MC-22A/4-AC120V](#) [8-1616943-9](#) [8-1672124-5](#)  
[A40-30-10-84](#) [120-905](#) [A701U](#) [120-904](#) [1393132-9](#) [154-905](#) [154-912](#) [154-913](#) [154-915](#) [154-902](#) [154-910](#) [AVR743D](#) [B6-40-00-84](#) [B7-40-00-84](#) [1616017-5](#) [1616021-1](#) [MVDILM](#) [HP-11D-24](#) [P25-E5019-1](#) [P30C47A12D1-120](#) [P40C47A12D1-120](#) [P40P47D13P1-24-01](#) [CA7-12-10-240](#) [CA7-72-00-24Z](#) [90-162](#) [9-1393132-2](#) [2NC4F0222](#) [A275KXXV2-120VAC](#) [ACC338UMM20](#) [AF80-30-11-13](#) [SZ-B1](#) [CGC-9A-120](#) [3GC2H0M22](#) [3NC0T0A22](#) [3NC1Q0A22](#) [3NC2H0A22](#) [3NC2T0122/SE](#) [3TF3400-0BB4](#) [MC-12B-DC24V](#)