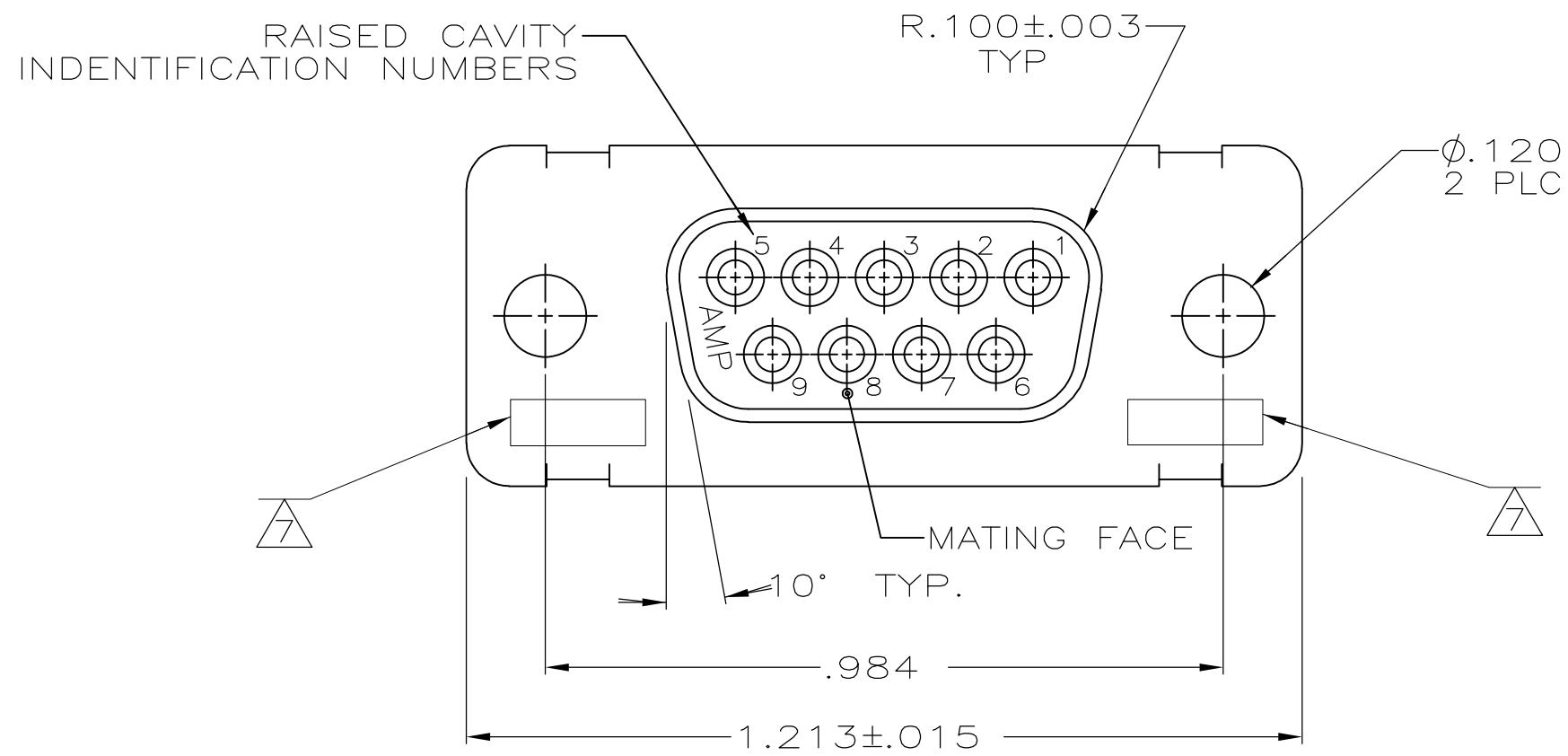
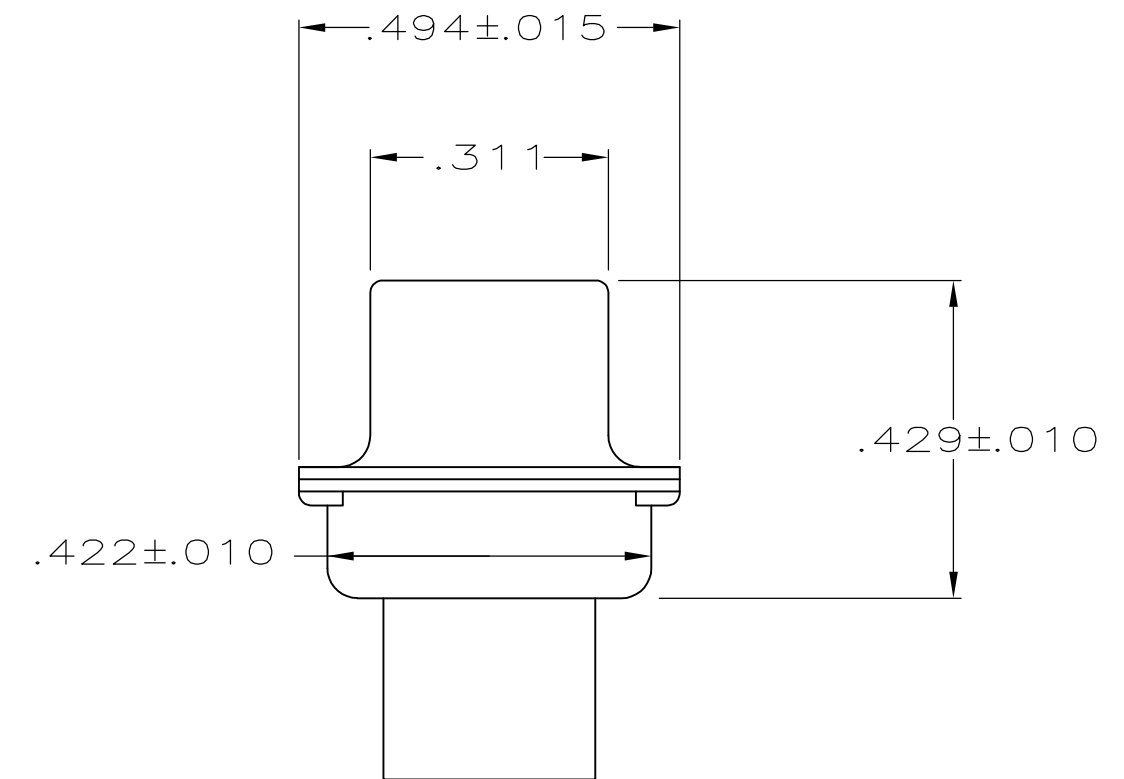
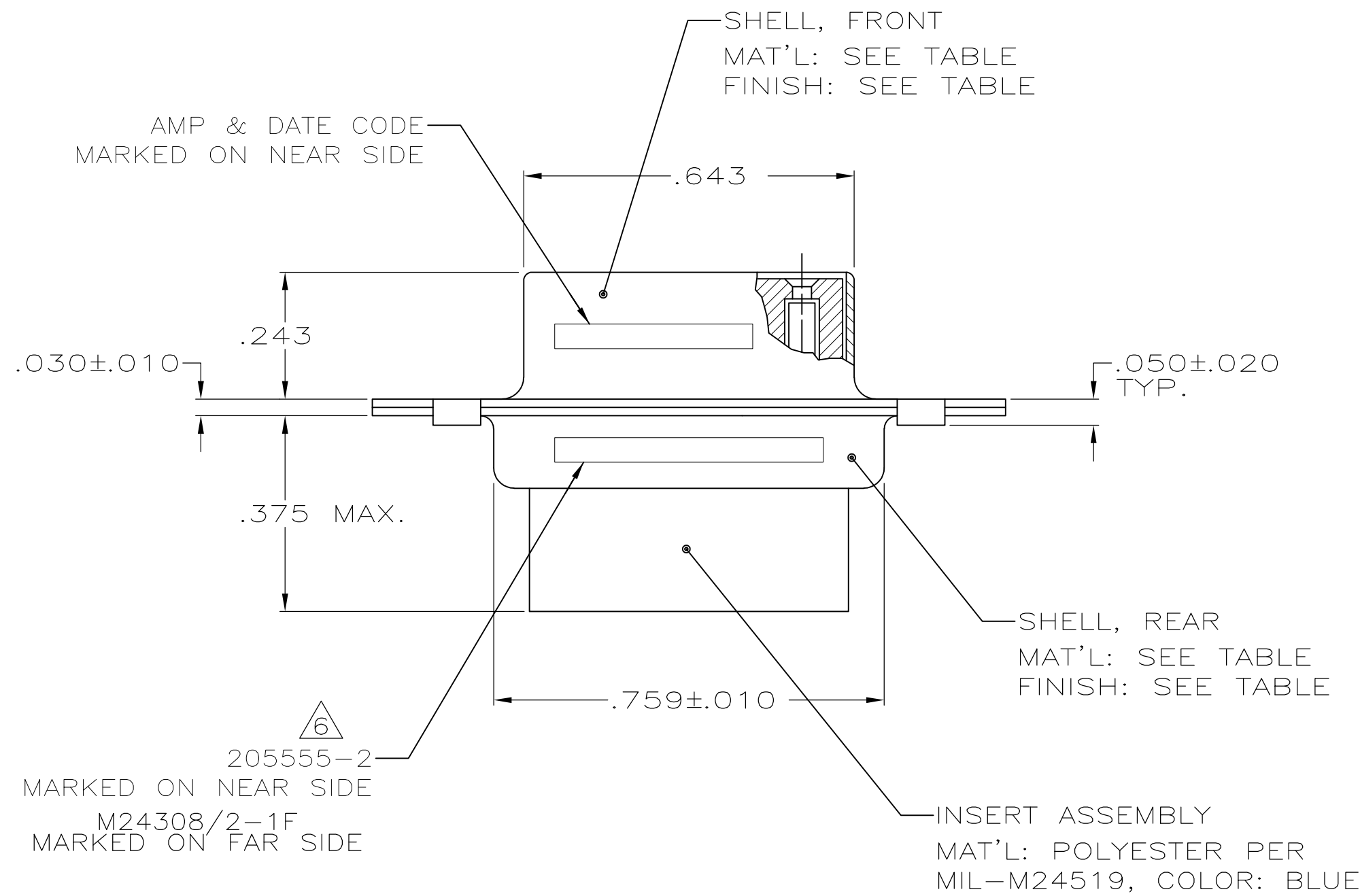


THIS DRAWING IS UNPUBLISHED. RELEASED FOR PUBLICATION
 © COPYRIGHT - By - ALL RIGHTS RESERVED.

LOC		DIST		REVISIONS			
P	LTR	DESCRIPTION		DATE	DWN	APVD	
DF	DO	P1	REVISED PER ECO-11-005030	11MAR11	RK	HMR	



1. THIS RCPT. IS DESIGNED TO CONFORM TO THE LATEST ISSUE OF MIL-C-24308
 2. MAX WIRE INSUL TO BE USED WITH THIS RCPT IS .068 DIA
 3. STAINLESS STEEL RETENTION CLIPS ARE INCLUDED IN INSERTS
 4. PACKAGE STAMPED M24308/2-281F
 5. THIS RCPT. WILL ACCEPT SIZE 20 SOCKET CONTACT M39029/63-368 OR ANY AMP HD-20 SOCKET CONTACT
- △6 AMP PART NO. STAMPED ON CONNECTOR REPRESENTS KIT NUMBER WITH CONTACTS
 - △7 UL/CSA DESIGNATION STAMPED IN THIS AREA.
 - △8 RESTRICTED ITAR DRAWING.
 - △9 FINISH: PLATED BRIGHT TIN .000400 MIN THK PER ASTM-B-545 OVER COPPER PLATE .000050 MIN THK PER MIL-C-14550.



△9	STEEL, CLASS G	205161-5
△8	-	205161-4
SUPSC BY 205161-1	CADMIUM PER QQ-P-416	STEEL, CLASS G
SUPSD BY 207253-2	CADMIUM PER QQ-P-416	BRASS
	CADMIUM PER QQ-P-416	STEEL, CLASS G
	SHELL FINISH	SHELL MATERIAL
		PART NUMBER

THIS DRAWING IS A CONTROLLED DOCUMENT.		DWN C.C.THOMAS 1-12-05	STE TE Connectivity	
DIMENSIONS: INCHES		CHK D.MILLER 1-12-05		
TOLERANCES UNLESS OTHERWISE SPECIFIED:		APVD D.MILLER 1-12-05	NAME RCPT ASSY,AMPLIMITE, SIZE 1,9 POSN,SERIES 109	
0 PLC ± - 1 PLC ± - 2 PLC ± - 3 PLC ± .005 4 PLC ± - ANGLES ± 0° 30'		PRODUCT SPEC -	SIZE A2	
MATERIAL SEE CALLOUTS		APPLICATION SPEC -	CAGE CODE 00779	DRAWING NO C-205161
FINISH SEE CALLOUTS		WEIGHT -	SCALE 4:1	SHEET 1 of 1
		CUSTOMER DRAWING	RESTRICTED TO -	REV P1

X-ON Electronics

Largest Supplier of Electrical and Electronic Components

Click to view similar products for [D-Sub MIL Spec Connectors](#) category:

Click to view products by [TE Connectivity](#) manufacturer:

Other Similar products are found below :

[M85049/50-5F](#) [D38999/24WG11PB-LC](#) [MDM-9SH006A](#) [1218697-4](#) [D38999/26WJ61PC L/C](#) [1484349-1](#) [17D25HV](#) [1996840-1](#) [243082-15](#)
[1757682-1](#) [17D-E51218-1](#) [17SDA15S](#) [1883533-1](#) [1883886-1](#) [1883889-1](#) [192900-0377](#) [M24308/8-347](#) [M83513/03-E09C](#) [443961-3](#) [5-](#)
[1218949-1](#) [550-031NF1R6K](#) [3-1236089-2](#) [550E001NF1R3J0L](#) [550T001NF1R6K0L](#) [557T283NF5B08](#) [DB121073-56](#) [DC121073157](#)
[443869-3](#) [443869-4](#) [443869-5](#) [550S004NF1R1B0F03](#) [557E283NF1A06](#) [527-019NF0303R2K1F](#) [5-446405-1](#) [550-031NF1R2E](#)
[550E003M2R9J0F04](#) [550E003M3R9J0F05](#) [550E024M104R9J0](#) [550E024NF102R3J0B](#) [550E039NF1R3J1-02](#) [550S003M3R9B0F05](#)
[550S004M4R7M0F04](#) [550S004NF1R1B1F02](#) [550S008M3F0K0F04](#) [550S086M5R3J0L](#) [550S100NF3F0E](#) [550T001M2R7E0L](#)
[550T001NF1F0B1L](#) [550T001NF1R1K0G](#) [550T001NF1R3K0G](#)