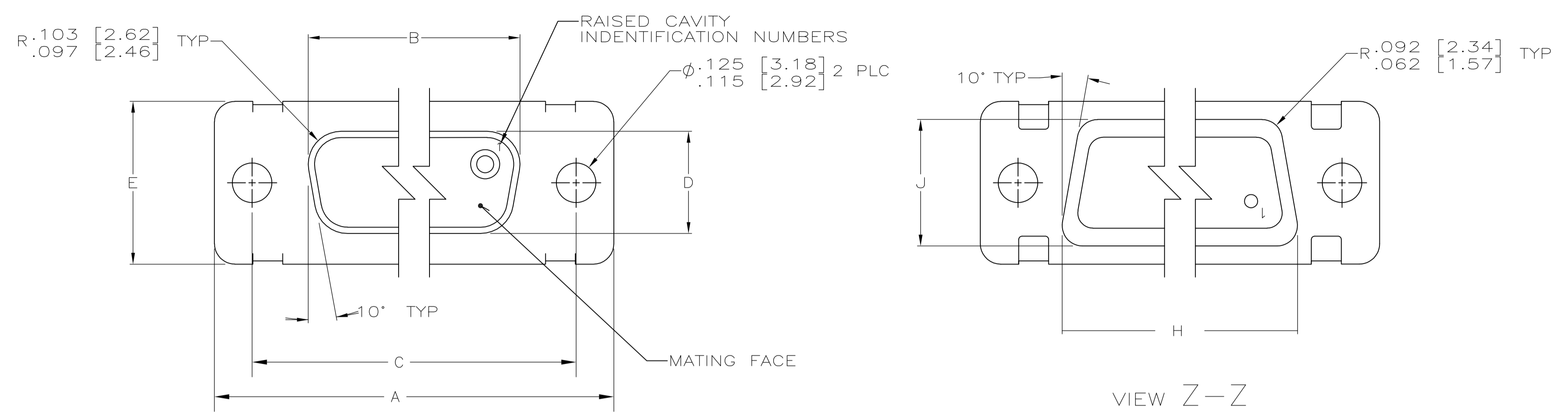
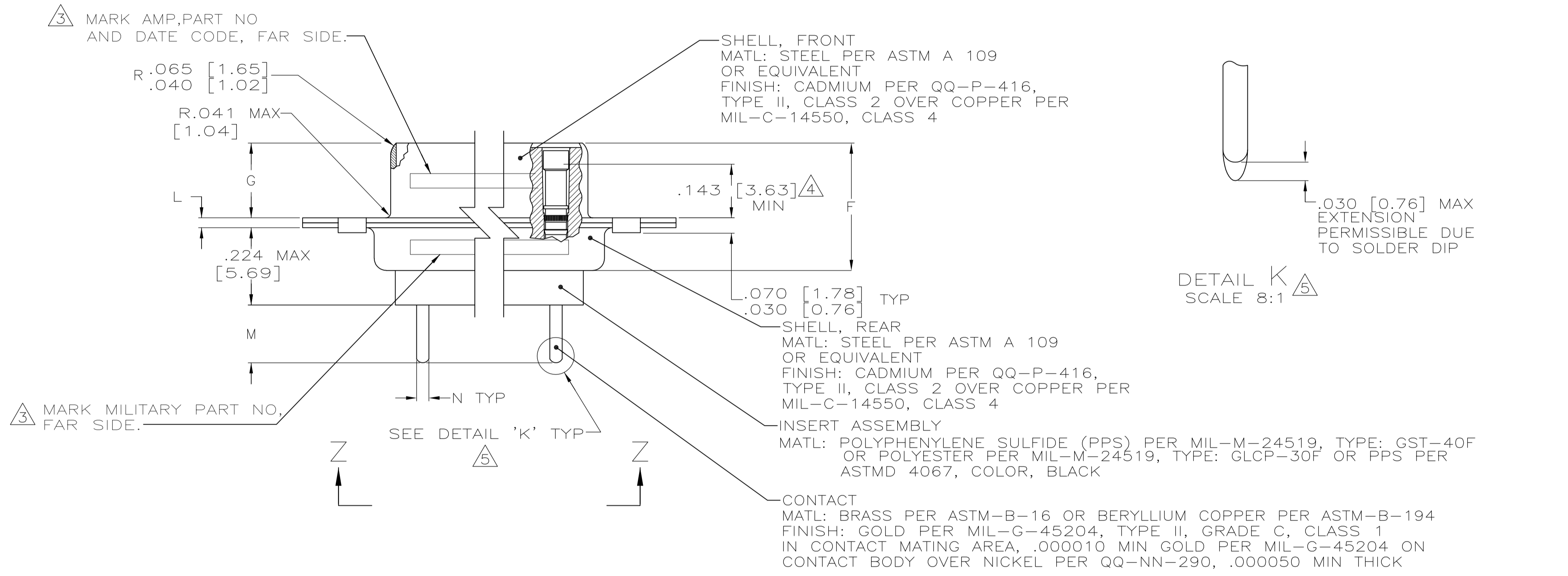


LOC		DIST		REVISIONS			
P	LTR	DESCRIPTION	DATE	DN	APVD		
D1	REVISED PER	ECO-11-005030	11MAR11	RK	HMR		

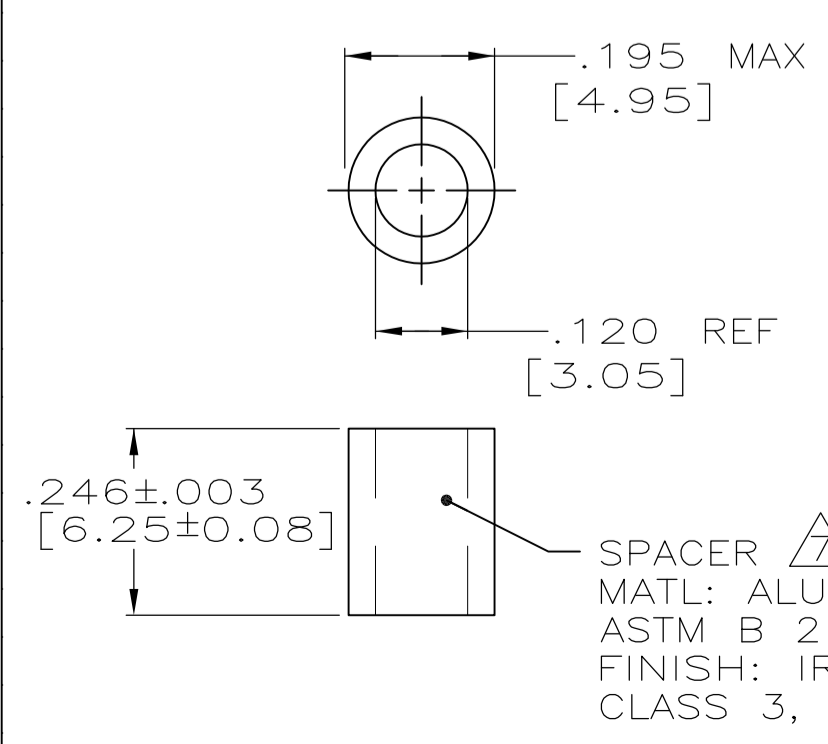


- SEE SHEET 2 FOR RECOMMENDED P.C. BOARD LAYOUT. TRUE POSITION TOLERANCE FOR P.C. BOARD LAYOUT IS .010 [0.25] AT MAX MATERIAL CONDITION. SUGGESTED BOARD THICKNESS IS .125 [3.18]
- THE CONNECTORS DESCRIBED IN THIS DOCUMENT MEET THE REQUIREMENTS OF MIL-C-24308 AND MATE WITH ANY PLUG CONNECTOR WITH SAME INSERT ARRANGEMENT.
- MARK WITH .047 [1.19]-.062 [1.57] HIGH CHARACTERS. FAR SIDE REFERS TO THE WIDE SIDE OF THE KEYSTONE. NEAR SIDE REFERS TO THE NARROW SIDE OF THE KEYSTONE. IF THE REAR SHELL IS TOO SMALL FOR THE ENTIRE MILITARY PART NUMBER, MARKING SHALL BE LOCATED AS FOLLOWS:
 - "M24308" ON FRONT SHELL, FAR SIDE.
 - SLASH SHEET AND DASH NUMBER ON REAR SHELL, FAR SIDE.
 - "AMP" AND DATE CODE ON FRONT SHELL, NEAR SIDE.
 - PART NUMBER ON REAR SHELL, NEAR SIDE.



- POINT OF ELECTRICAL ENGAGEMENT - AS MEASURED WITH A .0390 [0.991]-.0393 [0.998] DIA SQUARE ENDED TEST PIN.
- SOLDER DIP PER MIL-STD-2000 COMPOSITION Sn63 CONFORMING TO QQ-S-571. COVERAGE SHALL BE COMPLETE TO A DISTANCE .020 [0.51] MAX FROM INSERT ASSEMBLY.
- THE SOLDER DIP PROCESS IS PERFORMED SUBSEQUENT TO THE COMPLETION OF PRODUCTION OF THE MILITARY QUALIFIED CONNECTOR. DIMENSIONS APPLY PRIOR TO SOLDER DIPPING.
- SPACERS (QTY 2) ARE SUPPLIED WITH CONNECTORS (NOT ATTACHED TO THE CONNECTOR).
- DIMENSIONS AND TOLERANCES PER ANSI Y14.5M-1982.
- THIS DRAWING SHALL BE INTERPRETED IN ACCORDANCE WITH APPLICABLE STANDARDS LISTED IN MIL-STD-100.

N	M	L	J	H	G	F	E	D	C	B	A	INSERT ARRANGEMENT	NO OF POS	SHELL SIZE	MILITARY P/N ON CONNECTOR	P/N ON CONNECTOR	PART NUMBER
.033 .027 [0.69]	.208 .168 [4.27]	.040 .020 [0.51]	.544 .524 [13.31]	2.188 2.168 [55.07]	.248 .238 [6.30]	.439 .419 [11.15]	.620 .590 [14.99]	.428 .418 [10.62]	2.411 2.401 [60.99]	2.069 2.059 [52.30]	2.650 2.620 [67.31]	MS18277-1	50	5	M24308/23-11F	443976-5	1-443976-0
				2.282 2.262 [57.45]					2.505 2.495 [63.37]	2.164 2.154 [54.71]	2.744 2.714 [69.70]	MS18276-1	37	4	M24308/23-10F	443976-4	443976-9
			.432 .412 [10.46]	1.635 1.615 [41.53]			.509 .479 [12.17]	.316 .306 [7.77]	1.857 1.847 [46.91]	1.516 1.506 [38.25]	2.103 2.073 [52.65]	MS18275-1	25	3	M24308/23-9F	443976-3	443976-8
				1.093 1.073 [27.25]					1.317 1.307 [33.20]	.976 .966 [24.54]	1.556 1.526 [39.52]	MS18274-1	15	2	M24308/23-8F	443976-2	443976-7
				.769 .749 [19.02]					.989 .979 [24.87]	.648 .638 [16.21]	1.228 1.198 [30.43]	MS18273-1	9	1	M24308/23-7F	443976-1	443976-6
			.544 .524 [13.31]	2.188 2.168 [55.07]	.238 .238 [6.05]	.419 .419 [11.15]	.620 .590 [14.99]	.428 .418 [10.62]	2.411 2.401 [60.99]	2.069 2.059 [52.30]	2.650 2.620 [67.31]	MS18277-1	50	5	M24308/23-11F	443976-5	443976-5
				2.282 2.262 [57.45]					2.505 2.495 [63.37]	2.164 2.154 [54.71]	2.744 2.714 [68.94]	MS18276-1	37	4	M24308/23-10F	443976-4	443976-4
			.432 .412 [10.46]	1.635 1.615 [41.53]			.509 .479 [12.17]	.316 .306 [7.77]	1.857 1.847 [46.91]	1.516 1.506 [38.25]	2.103 2.073 [52.65]	MS18275-1	25	3	M24308/23-9F	443976-3	443976-3
				1.093 1.073 [27.25]					1.317 1.307 [33.20]	.976 .966 [24.54]	1.556 1.526 [38.76]	MS18274-1	15	2	M24308/23-8F	443976-2	443976-2
				.769 .749 [19.02]					.989 .979 [24.87]	.648 .638 [16.21]	1.228 1.198 [30.43]	MS18273-1	9	1	M24308/23-7F	443976-1	443976-1



THIS DRAWING IS A CONTROLLED DOCUMENT.

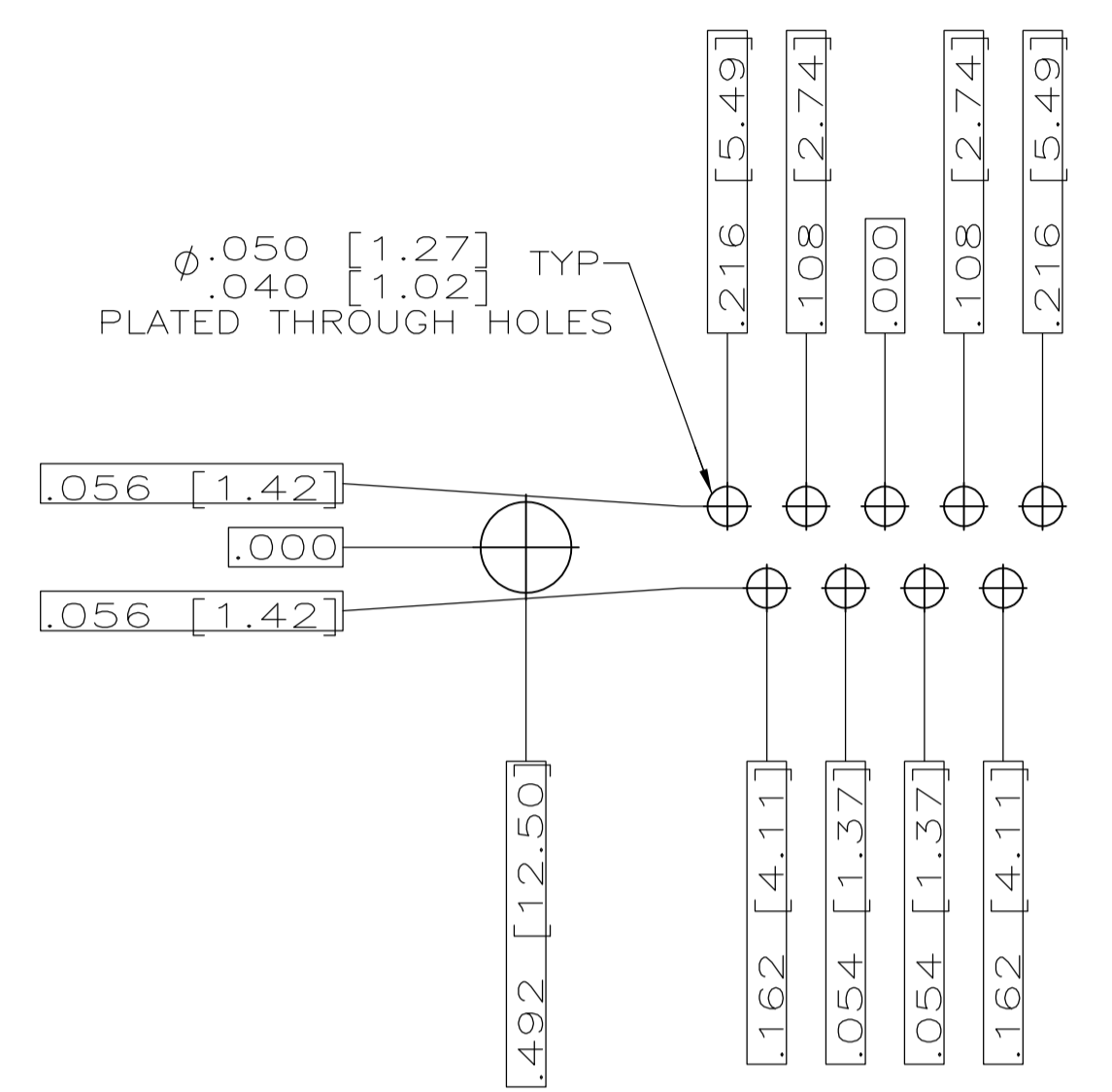
STE TE Connectivity

AMPLIMITE RECEPTACLE ASSY
W/ SIZE 20 POSTED PC BOARD CONTACTS
SERIES 109, SHELL SIZES 1 THRU 5

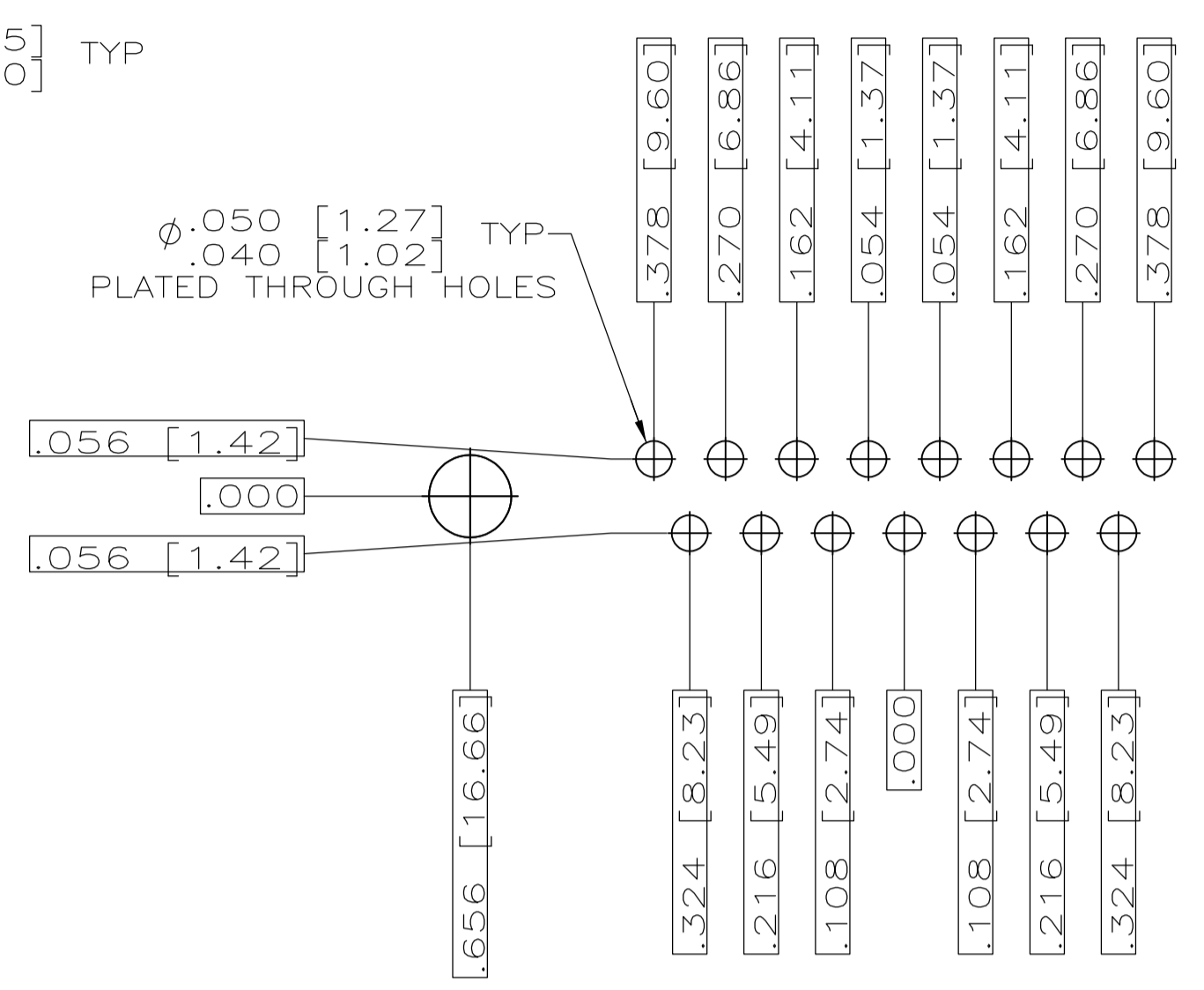
00779-443976

SCALE 4:1 SHEET 1 OF 2 REV D1

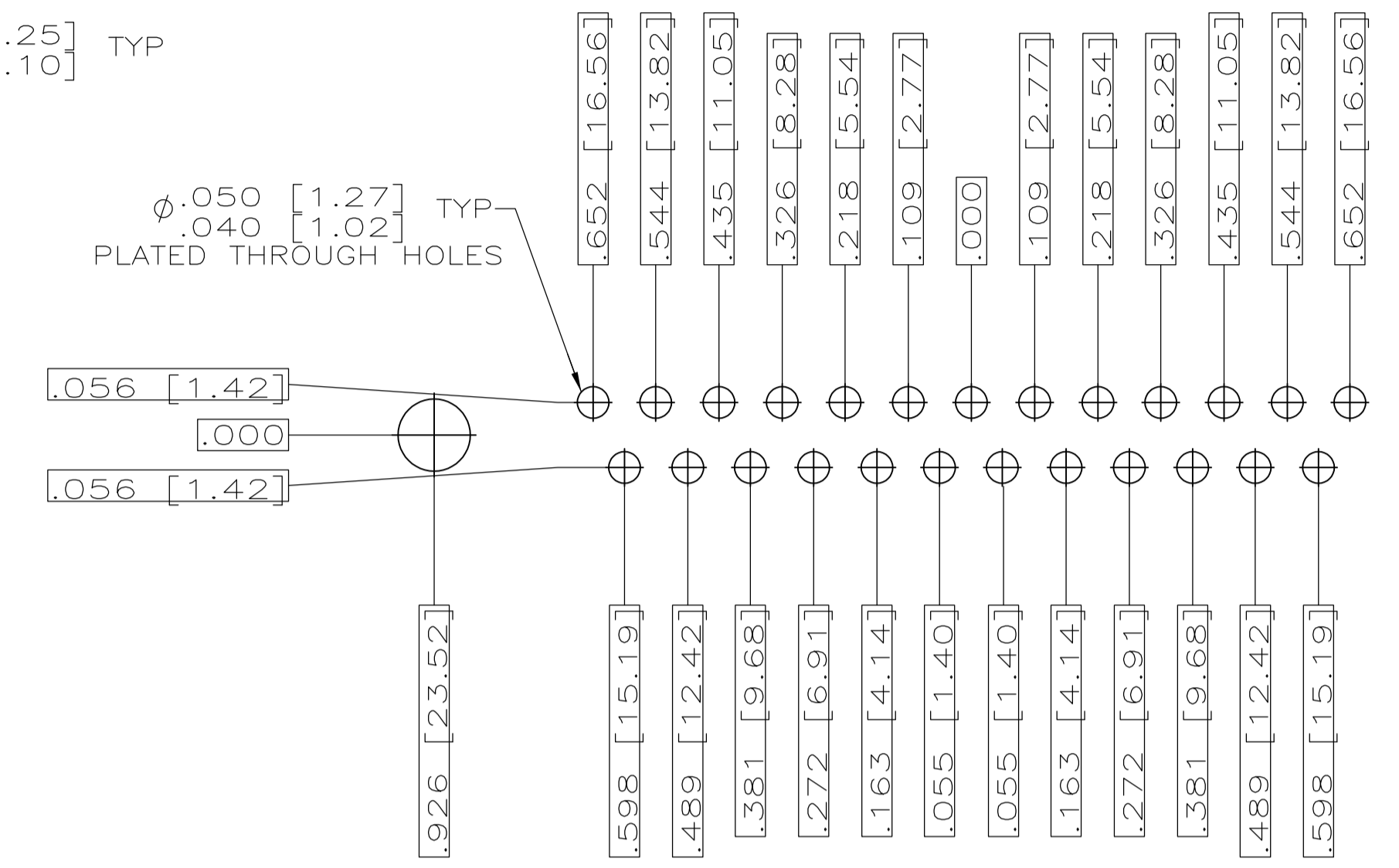
LOC	DIST	REVISIONS				
DF	DO	P	LTR	DATE	DWN	APVD
-	-	-	-	-	-	-
-		SEE SHEET 1		-	-	-



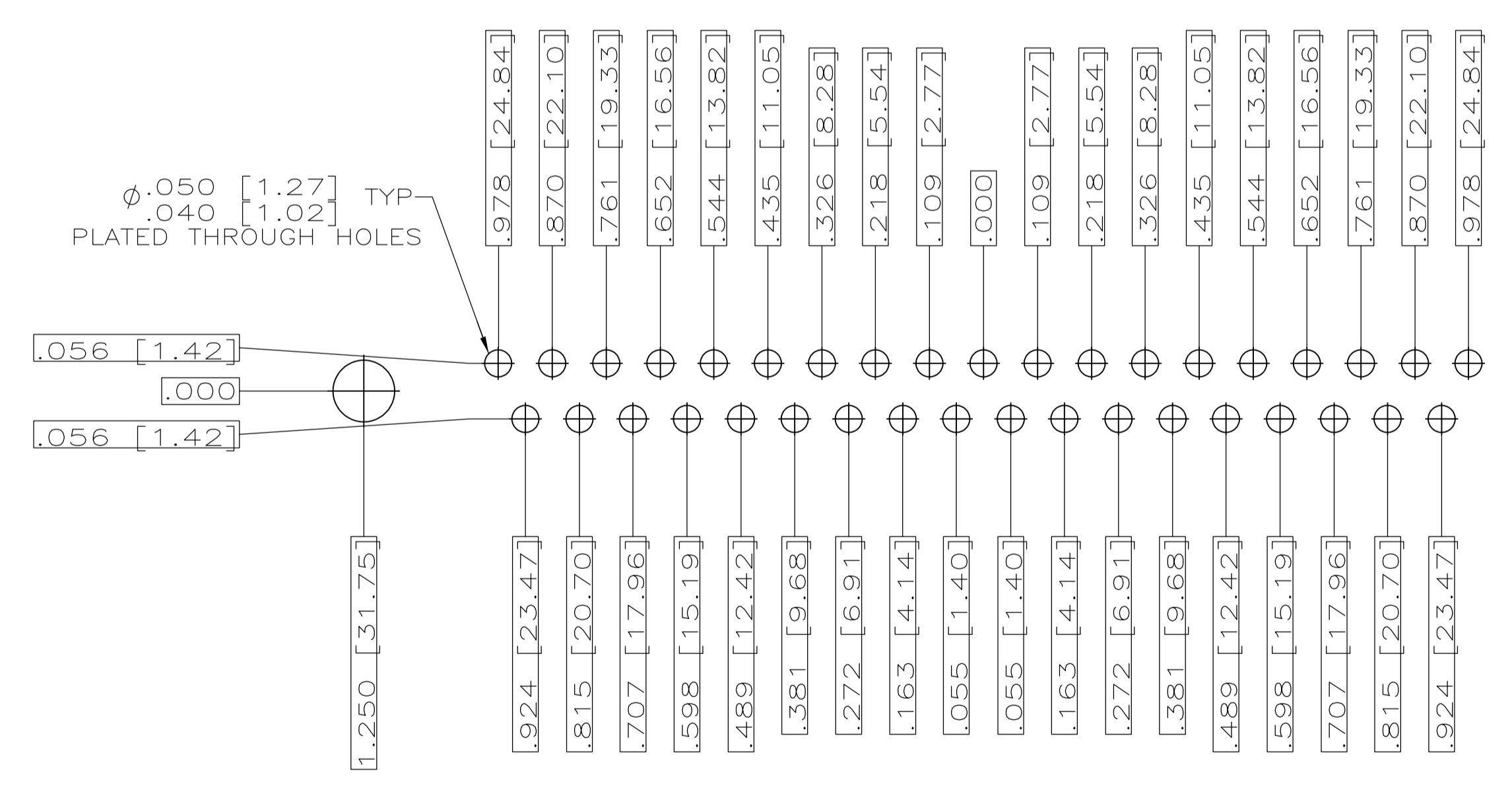
RECOMMENDED P.C. BOARD LAYOUT
 SHELL SIZE 1 (9 POSITION) ▲



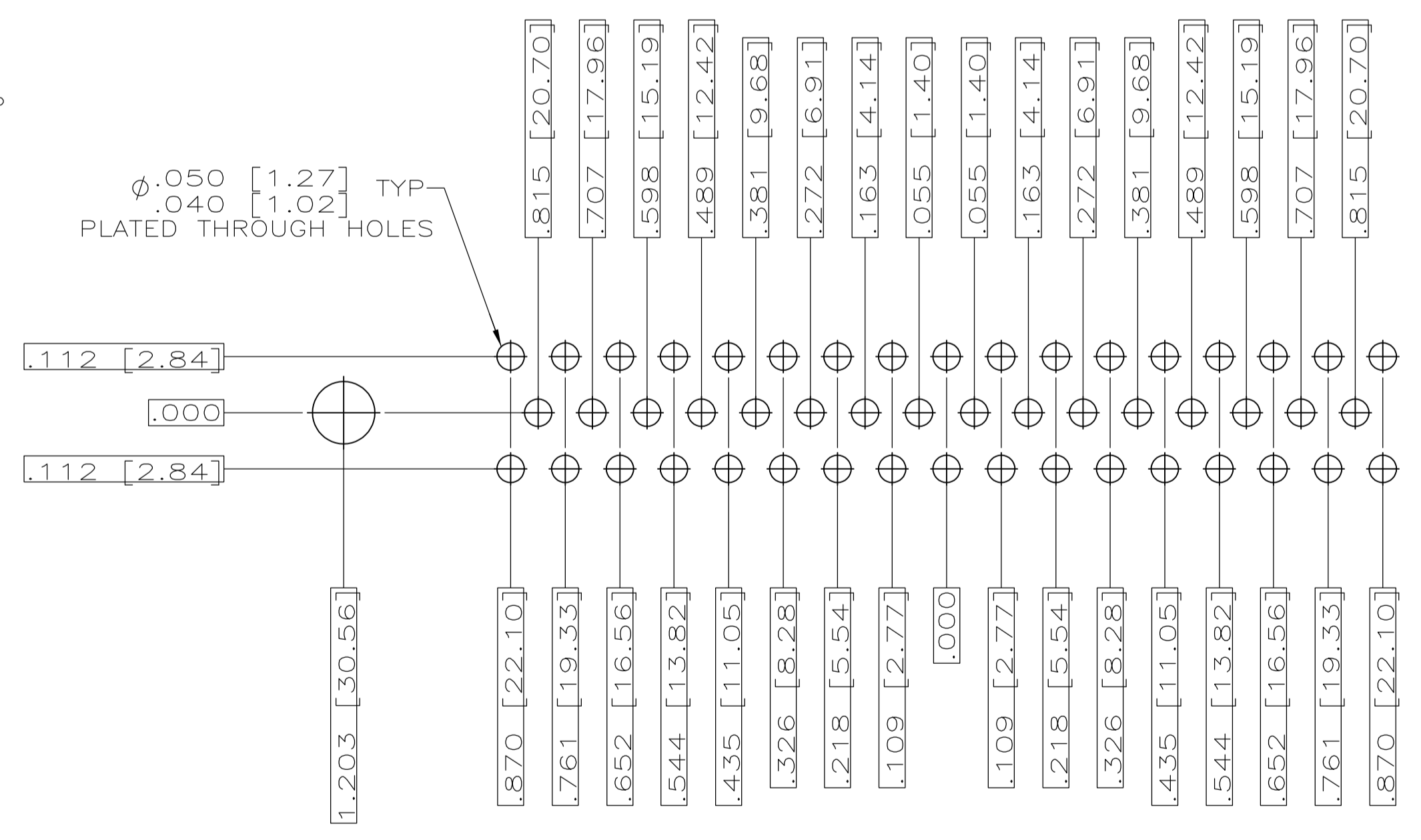
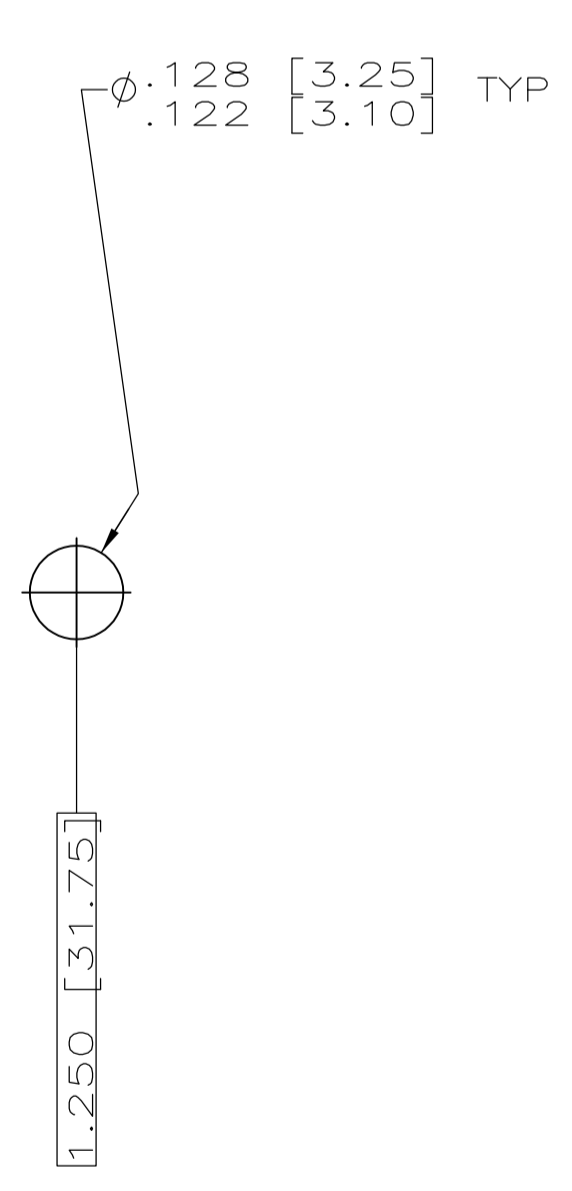
RECOMMENDED P.C. BOARD LAYOUT
 SHELL SIZE 2 (15 POSITION) ▲



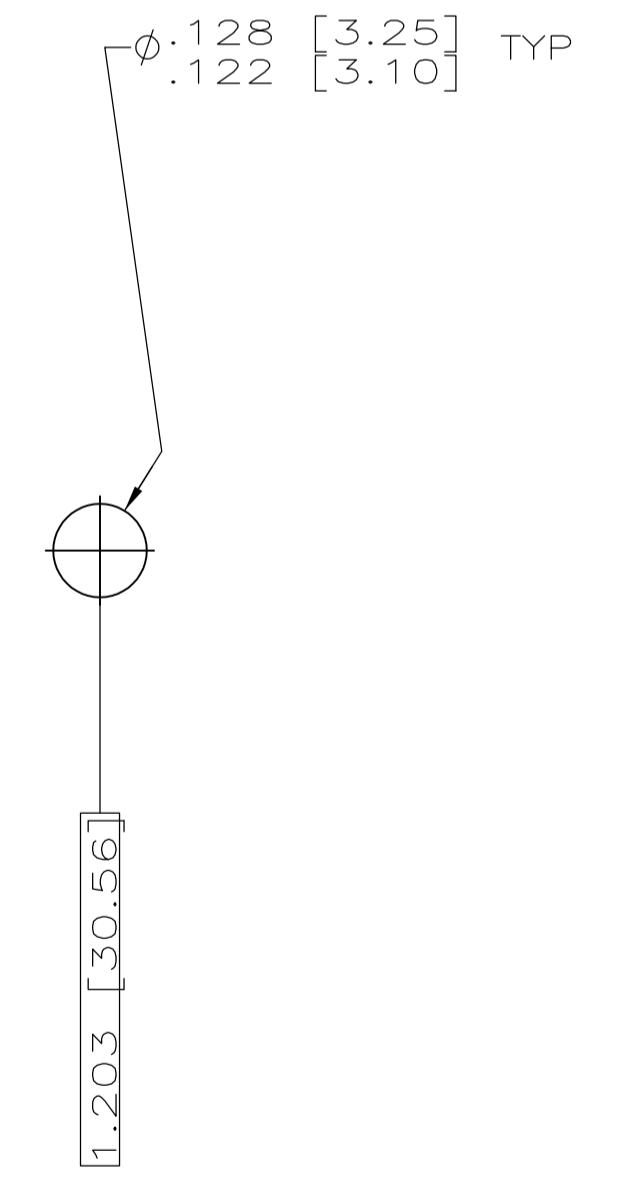
RECOMMENDED P.C. BOARD LAYOUT
 SHELL SIZE 3 (25 POSITION) ▲



RECOMMENDED P.C. BOARD LAYOUT
 SHELL SIZE 4 (37 POSITION) ▲



RECOMMENDED P.C. BOARD LAYOUT
 SHELL SIZE 5 (50 POSITION) ▲



THIS DRAWING IS A CONTROLLED DOCUMENT.		DWN J.A.Baker	05MAY97		TE Connectivity
DIMENSIONS: INCHES		CHK G. OVER	15MAY98		AMPLITE RECEPTACLE ASSY WITH SIZE 20 STRAIGHT POSTED P.C. BOARD CONTACTS, SERIES 109.
TOLERANCES UNLESS OTHERWISE SPECIFIED:		APVD		NAME	
0 PLC ±		PRODUCT SPEC		MIL-C-24308	
1 PLC ±		APPLICATION SPEC		SIZE CAGE CODE DRAWING NO RESTRICTED TO	
2 PLC ±		MATERIAL		A1 00779 C-443976	
3 PLC ±		FINISH		SCALE 4:1 SHEET 2 OF 2 REV D1	
4 PLC ±		SEE CALLOUTS		CUSTOMER DRAWING	

X-ON Electronics

Largest Supplier of Electrical and Electronic Components

Click to view similar products for [D-Sub Mil Spec Connectors](#) category:

Click to view products by [TE Connectivity](#) manufacturer:

Other Similar products are found below :

[M85049/50-5F](#) [D38999/24WG11PB-LC](#) [MDM-9SH006A](#) [1218697-4](#) [D38999/26WJ61PC L/C](#) [1484349-1](#) [17D25HV](#) [1996840-1](#) [243082-15](#)
[1757682-1](#) [17D-E51218-1](#) [17SDA15S](#) [1883533-1](#) [1883886-1](#) [1883889-1](#) [192900-0377](#) [M24308/8-347](#) [M83513/03-E09C](#) [443961-3](#) [5-](#)
[1218949-1](#) [550-031NF1R6K](#) [3-1236089-2](#) [550E001NF1R3J0L](#) [550T001NF1R6K0L](#) [557T283NF5B08](#) [DC121073157](#) [443869-3](#) [443869-4](#)
[443869-5](#) [550S004NF1R1B0F03](#) [557E283NF1A06](#) [527-019NF0303R2K1F](#) [5-446405-1](#) [550-031NF1R2E](#) [550E003M2R9J0F04](#)
[550E003M3R9J0F05](#) [550E024M104R9J0](#) [550E024NF102R3J0B](#) [550E039NF1R3J1-02](#) [550S003M3R9B0F05](#) [550S004M4R7M0F04](#)
[550S004NF1R1B1F02](#) [550S008M3F0K0F04](#) [550S086M5R3J0L](#) [550S100NF3F0E](#) [550T001M2R7E0L](#) [550T001NF1F0B1L](#)
[550T001NF1R1K0G](#) [550T001NF1R3K0G](#) [550T001NF1R4K0L](#)