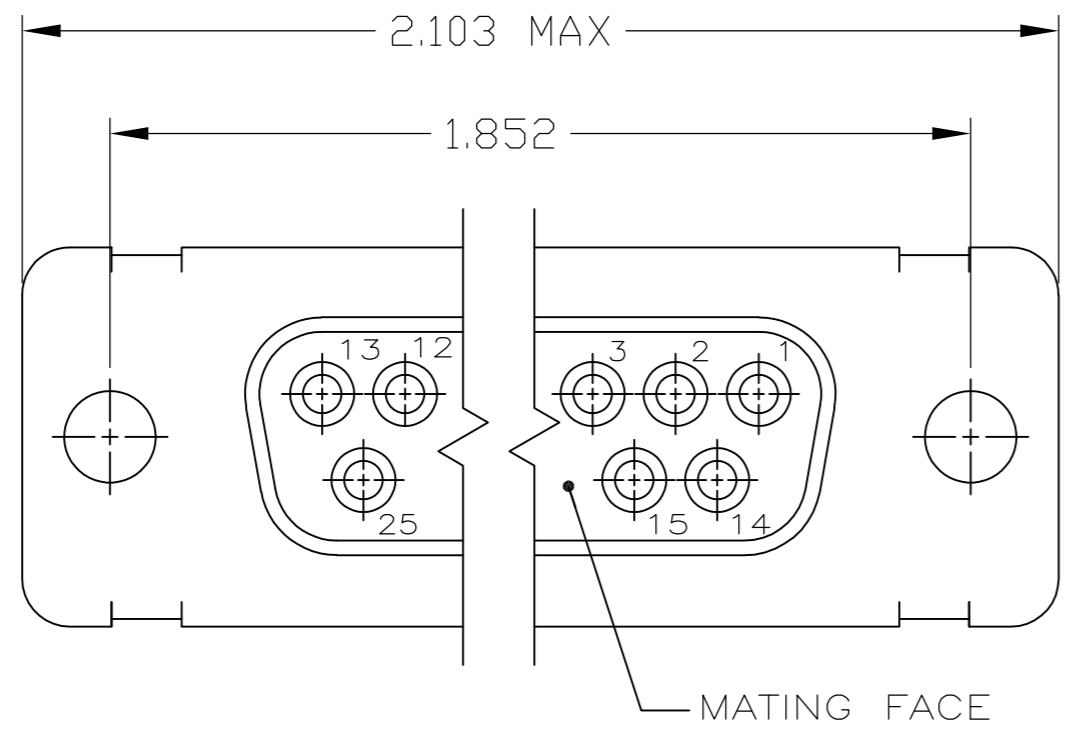


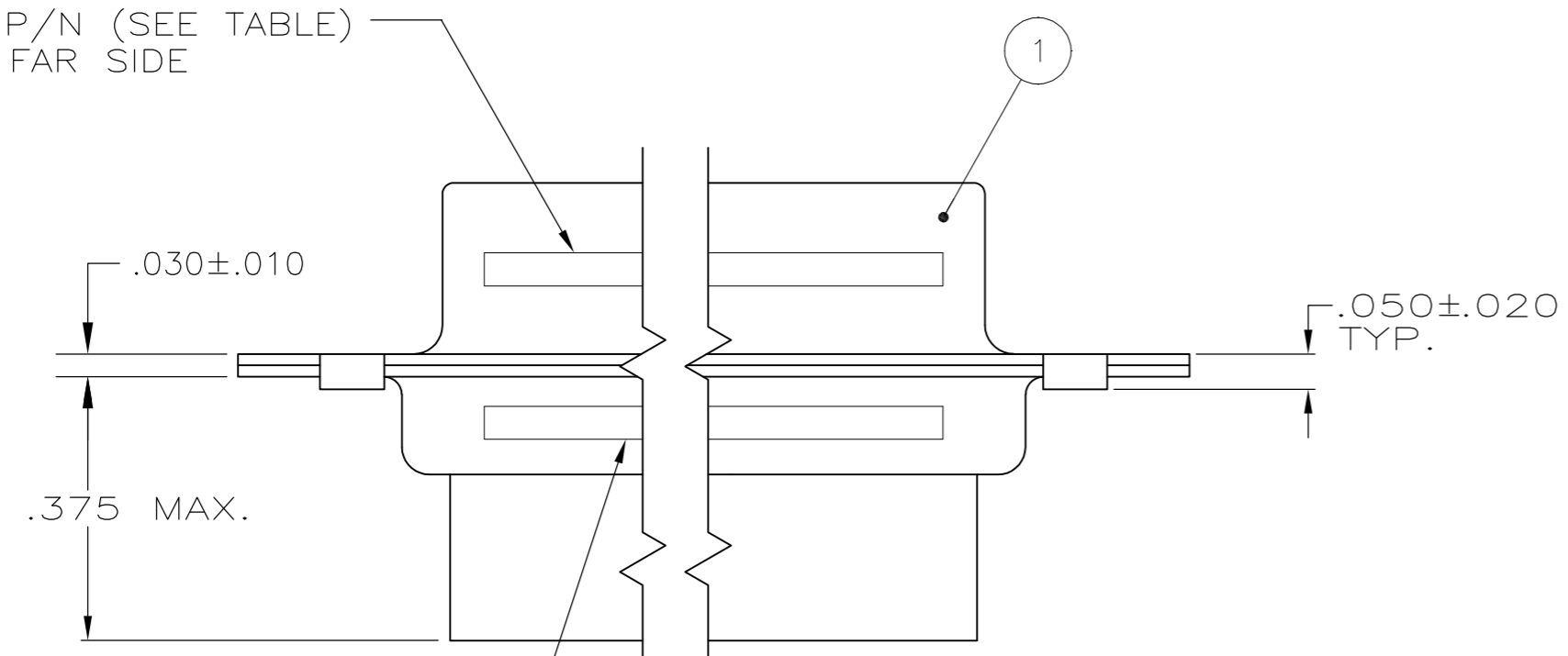
THIS DRAWING IS UNPUBLISHED. RELEASED FOR PUBLICATION
 © COPYRIGHT - By - ALL RIGHTS RESERVED.

LOC		DIST		REVISIONS			
P	LTR	DESCRIPTION	DATE	DWN	APVD		
	J	REVISED PER ECO-11-021069	09NOV11	PY	RL		

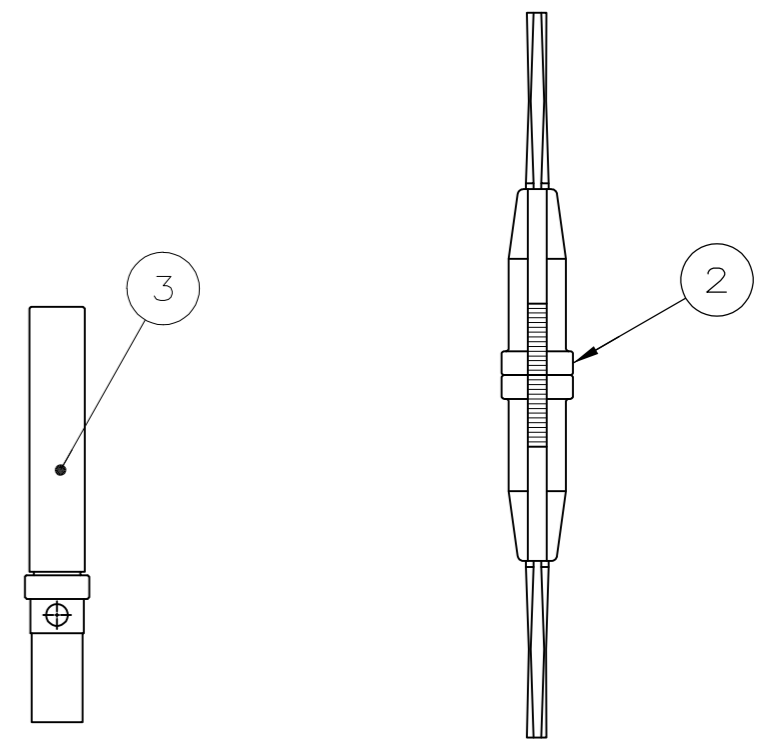
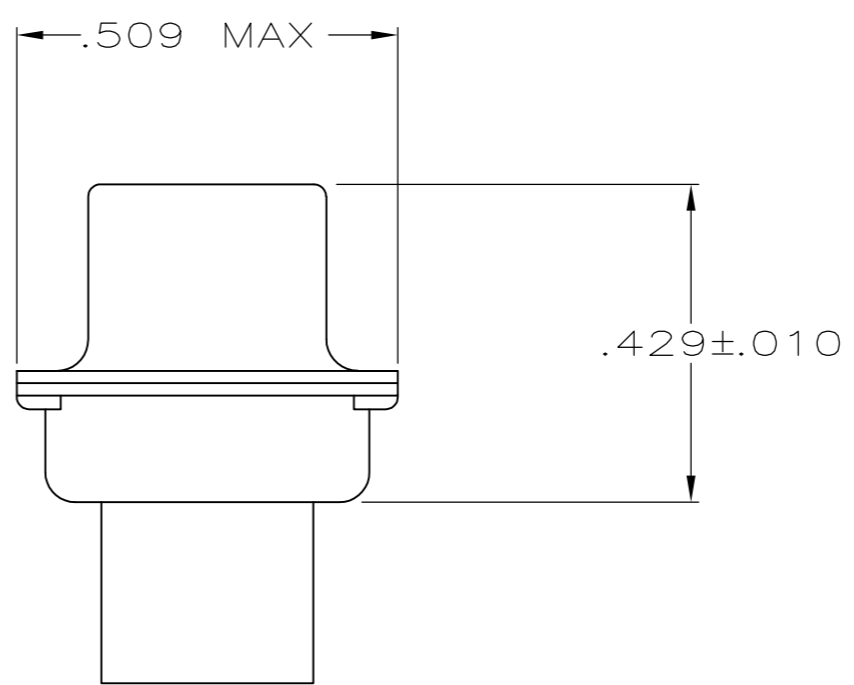


1 FOR CONNECTOR ASSEMBLIES, TE CONNECTIVITY CONTACT PART NOS. 205090-1 MUST BE ORDERED SEPARATELY. CONNECTORS WITH CONTACTS ARE SUPPLIED WITH CONTACT 205090-1

MILITARY P/N (SEE TABLE) MARKED, FAR SIDE



MFG'S NAME, BRAND OR LOGO AND DATE CODE MARKED, FAR SIDE



SUPERSEDED BY 206801-2 & 206793-1 AND 91067-2	205433-3	M24308/6-8F	205090-1	91067-2	205165-2	205559-5
SUPERSEDED BY 206801-2 AND 206793-1	205433-3	M24308/6-3F	205090-1	-	205165-2	205559-4
	205433-3	M24308/2-8F	205090-1	91067-2	205165-1	205559-3
	205433-2	M24308/2-3F	205090-1	-	205165-1	205559-2
SUPERSEDED BY 205165-1 AND 91067-2	205433-1	-	-	91067-2	205165-1	205559-1
P/N MARKED ON PACKAGE	MILITARY P/N MARKED ON PACKAGE	3 SOCKET CONTACT QTY. = 25	1	2 INSERTION/EXTRACTION TOOL QTY. = 1	1 RECEPTACLE ASSY QTY. = 1	PART NUMBER

THIS DRAWING IS A CONTROLLED DOCUMENT.

DWN P. YEAGER 10MAR09		KIT, HDM SERIES		
CHK R. LEASE 12MAR09		RECEPTACLE, SIZE 3, 25 POSN		
APVD R. LEASE 12MAR09		SIZE	CAGE CODE	DRAWING NO
PRODUCT SPEC		A2	00779	C=205559
APPLICATION SPEC	WEIGHT	SCALE	SHEET	
		4:1	1 of 1	
MATERIAL	FINISH	CUSTOMER DRAWING	REV J	

X-ON Electronics

Largest Supplier of Electrical and Electronic Components

Click to view similar products for [D-Sub MIL Spec Connectors](#) category:

Click to view products by [TE Connectivity](#) manufacturer:

Other Similar products are found below :

[M85049/50-5F](#) [D38999/24WG11PB-LC](#) [MDM-9SH006A](#) [1218697-4](#) [D38999/26WJ61PC L/C](#) [1484349-1](#) [17D25HV](#) [1996840-1](#) [243082-15](#)
[1757682-1](#) [17D-E51218-1](#) [17SDA15S](#) [1883533-1](#) [1883886-1](#) [1883889-1](#) [192900-0377](#) [M24308/8-347](#) [M83513/03-E09C](#) [443961-3](#) [5-](#)
[1218949-1](#) [550-031NF1R6K](#) [3-1236089-2](#) [550E001NF1R3J0L](#) [550T001NF1R6K0L](#) [557T283NF5B08](#) [DB121073-56](#) [DC121073157](#)
[443869-3](#) [443869-4](#) [443869-5](#) [550S004NF1R1B0F03](#) [557E283NF1A06](#) [527-019NF0303R2K1F](#) [5-446405-1](#) [550-031NF1R2E](#)
[550E003M2R9J0F04](#) [550E003M3R9J0F05](#) [550E024M104R9J0](#) [550E024NF102R3J0B](#) [550E039NF1R3J1-02](#) [550S003M3R9B0F05](#)
[550S004M4R7M0F04](#) [550S004NF1R1B1F02](#) [550S008M3F0K0F04](#) [550S086M5R3J0L](#) [550S100NF3F0E](#) [550T001M2R7E0L](#)
[550T001NF1F0B1L](#) [550T001NF1R1K0G](#) [550T001NF1R3K0G](#)